

# INSTALLATION INSTRUCTIONS

## AIR HANDLERS

### FEATURING INDUSTRY STANDARD R-454B REFRIGERANT:

(-)H1P Standard Efficiency with Aluminum Coil

(-)H2T High Efficiency with Aluminum Coil (2-Stage Non-Communicating)

(-)H1A Standard Efficiency with Aluminum Coil (Straight Cool Only)



**RECOGNIZE THIS SYMBOL AS AN INDICATION OF IMPORTANT SAFETY INFORMATION!**

### **⚠ WARNING**

These instructions are intended as an aid to qualified licensed service personnel for proper installation, adjustment and operation of this unit. Read these instructions thoroughly before attempting installation or operation. Failure to follow these instructions may result in improper installation, adjustment, service or maintenance possibly resulting in fire, electrical shock, property damage, personal injury or death.



**ISO 9001:2015**

**DO NOT DESTROY THIS MANUAL**

**PLEASE READ CAREFULLY AND KEEP IN A SAFE PLACE FOR FUTURE REFERENCE BY A SERVICEMAN**

# TABLE OF CONTENTS

1.0 SAFETY INFORMATION .....	4
2.0 GENERAL INFORMATION .....	7
2.1 IMPORTANT INFORMATION ABOUT EFFICIENCY & INDOOR AIR QUALITY .....	7
2.2 CHECKING PRODUCT RECEIVED .....	7
2.3 MODEL NUMBER NOMENCLATURE .....	8
2.4 AVAILABLE MODELS .....	9
2.5 Dimensions & Weight .....	10
2.5.1 DIMENSIONS & WEIGHTS: (-)H1P MODELS .....	10
2.5.2 DIMENSIONS & WEIGHTS: (-)H2T MODELS .....	11
2.5.3 DIMENSIONS & WEIGHTS: (-)H1A MODELS .....	12
2.6 IMPORTANCE OF PROPER INDOOR/OUTDOOR MATCH-UPS .....	13
2.7 IMPORTANCE OF QUALITY INSTALLATION .....	13
3.0 INSTALLATION .....	13
3.1 TOOLS & REFRIGERANT .....	13
3.1.1 TOOLS REQUIRED FOR INSTALLING AND SERVICING R-454B MODELS .....	13
3.1.2 SPECIFICATIONS OF R-454B .....	14
3.1.3 QUICK-REFERENCE GUIDE FOR R-454B .....	14
3.2 APPLICATIONS AND ORIENTATION .....	14
3.2.1 VERTICAL UPFLOW & HORIZONTAL LEFT DISCHARGE .....	14
3.2.2 VERTICAL DOWNFLOW & HORIZONTAL RIGHT DISCHARGE .....	15
3.2.3 INSTALLATION IN AN UNCONDITIONED SPACE .....	17
3.2.4 INSTALLATION IN AN UNVENTILATED AREAS .....	18
3.2.5 INSTALLATION IN MOBILE/MANUFACTURED HOMES .....	18
3.2.6 INSTALLATION IN CORROSIVE ENVIRONMENTS .....	19
3.2.7 SUPPORTING AIR-HANDLER IN HORIZONTAL APPLICATIONS .....	19
3.3 AUXILIARY OVERFLOW PAN .....	19
3.4 CLEARANCES .....	20
3.5 DUCT FLANGES .....	20
3.6 DUCTWORK .....	21
3.7 RETURN AIR FILTER .....	21
3.8 REFRIGERANT LINE CONNECTIONS & CHARGING .....	22
3.8.1 PREPARATION .....	22
3.8.2 LIQUID LINE FILTER DRIER .....	22
3.8.3 BRAZING .....	22
3.8.4 LEAK TESTING .....	23
3.8.5 EVACUATION .....	23
3.8.6 REFRIGERANT CHARGING .....	23
3.8.7 REFRIGERANT DETECTION SYSTEM (RDS) .....	23
3.8.8 REFRIGERANT DETECTION SYSTEM (RDS) INSTALLATION INSTRUCTIONS .....	23
3.9 TXV SENSING BULB ATTACHMENT .....	27
3.10 CONDENSATE DRAIN .....	27
3.11 THERMOSTAT .....	28
3.12 ELECTRICAL WIRING .....	28
3.12.1 CONFIGURING UNIT FOR 208 VOLT POWER .....	28
3.12.2 GROUNDING .....	29
3.12.3 POWER WIRING .....	29
3.12.4 COPPER WIRE SIZE - AWG. (3% VOLTAGE DROP) .....	29
3.12.5 ELECTRICAL DATA - BLOWER MOTOR ONLY .....	30
3.12.5.1 ELECTRICAL DATA - BLOWER MOTOR ONLY - WITHOUT ELECTRIC HEAT: (-)H1PY .....	30
3.12.5.2 ELECTRICAL DATA - BLOWER MOTOR ONLY - WITHOUT ELECTRIC HEAT: (-)H2T .....	30
3.12.5.3 ELECTRICAL DATA - BLOWER MOTOR ONLY - WITHOUT ELECTRIC HEAT: (-)H1A .....	31
3.12.6 ELECTRICAL DATA - WITH ELECTRIC HEAT .....	32
3.12.6.1 ELECTRICAL DATA - WITH ELECTRIC HEAT: (-)H1PY .....	32
3.12.6.2 ELECTRICAL DATA - WITH ELECTRIC HEAT: (-)H2T .....	35
3.12.6.3 ELECTRICAL DATA - WITH ELECTRIC HEAT: (-)H1A .....	39
3.12.7 ELECTRIC HEATER KIT SUPPLEMENTAL INFORMATION .....	41
3.12.8 CONTROL WIRING .....	42
3.12.9 THERMOSTAT & CONTROL WIRING CONNECTIONS .....	42
3.13 Air-flow .....	43
3.13.1 GENERAL AIR-FLOW OPERATING LIMITS .....	43
3.13.2 SELECTING INDOOR BLOWER MOTOR SPEED .....	44
3.13.2.1 (-)H1P/(-)H1AY4821ST MODELS (PSC MOTOR) .....	44
3.13.2.2 (-)H2T MODELS (CONSTANT TORQUE ECM MOTOR) - 2 STAGE AIR-FLOW .....	44
3.13.2.3 (-)H2T/(-)H1A MODELS (CONSTANT TORQUE ECM MOTOR) - SINGLE STAGE AIR-FLOW .....	44
3.13.3 AIR-FLOW PERFORMANCE DATA .....	45
3.13.3.1 240V AIR-FLOW PERFORMANCE DATA: (-)H1P (PSC MOTOR) .....	45
3.13.3.2 115/208/480V AIR-FLOW PERFORMANCE DATA: (-)H1P (PSC MOTOR) .....	47
3.13.3.3 115/208/240/480V AIR-FLOW PERFORMANCE DATA: (CONSTANT TORQUE MOTOR) .....	49
3.13.3.4 115/208/240V AIR-FLOW PERFORMANCE DATA: (-)H1A (PSC MOTOR) .....	54
3.13.3.5 115/208/240V AIR-FLOW PERFORMANCE DATA: (CONSTANT TORQUE MOTOR) .....	55
4.0 START-UP .....	58
4.1 PRE-START CHECKLIST .....	58
4.2 SYSTEM START-UP AND OPERATIONAL CHECK-OUT .....	58
4.3 SEQUENCE OF OPERATION .....	58
4.3.1 COOLING MODE .....	58
4.3.2 ELECTRIC HEAT MODE .....	59

4.3.3 HEAT PUMP HEATING MODE .....	59
4.3.4 SUPPLEMENTAL ELECTRIC HEAT DURING DEFROST .....	59
4.3.5 EMERGENCY HEAT (HEAT PUMP) .....	59
4.3.6 THERMOSTAT FAN SETTING .....	59
4.4 CORRECTING ELECTRIC HEAT KW FOR VOLTAGE .....	59
4.5 CALCULATING ELECTRIC HEAT CAPACITY IN BTUH .....	59
4.6 CHECKING INDOOR AIR-FLOW .....	60
4.6.1 ESTIMATING CFM USING EXTERNAL STATIC PRESSURE .....	60
4.6.2 ESTIMATING CFM USING ELECTRIC HEAT TEMPERATURE RISE .....	60
4.7 CHECKING REFRIGERANT CHARGE .....	60
5.0 COMPONENTS & CONTROLS .....	61
5.1 BLOWER MOTOR .....	61
5.2 MOTOR RUN CAPACITOR .....	61
5.3 BLOWER CONTROL .....	61
5.4 BLOWER .....	62
5.5 TRANSFORMER .....	62
5.6 INDOOR COIL ASSEMBLY .....	62
6.0 ACCESSORIES & KITS .....	63
6.1 ELECTRIC RESISTANCE HEATER KITS .....	63
6.2 JUMPER BAR KITS .....	63
6.3 AUXILIARY HORIZONTAL OVERFLOW PANS .....	63
6.4 EXTERNAL FILTER BASES .....	63
6.5 COMBUSTIBLE FLOOR BASES .....	63
6.6 HORIZONTAL ADAPTER KITS .....	64
7.0 INDOOR SERVICE/MAINTENANCE .....	64
7.1 GENERAL GUIDELINES .....	64
7.2 Checks to the Refrigerant Equipment .....	64
7.3 Checks to Electrical Devices .....	65
7.4 Repairs to Sealed Components .....	65
7.5 Repair to Intrinsically Safe Components .....	65
7.6 Cabling .....	65
7.7 Detection of Flammable Refrigerants .....	65
7.8 Removal and Evacuation .....	66
7.9 Charging Procedures .....	66
7.10 Recovery .....	66
7.11 Decommissioning and Labeling .....	66
7.12 AIR FILTER .....	67
7.13 INDOOR COIL, DRAIN PAN, DRAIN LINE .....	67
7.14 BLOWER MOTOR AND WHEEL .....	67
7.15 MOTOR LUBRICATION .....	67
7.16 BLOWER ASSEMBLY REMOVAL & REPLACEMENT .....	67
7.17 MOTOR REPLACEMENT .....	68
7.18 BLOWER WHEEL REPLACEMENT .....	68
7.19 REPLACEMENT PARTS .....	68
8.0 DIAGNOSTICS .....	69
9.0 WIRING DIAGRAMS .....	70
9.1 WIRING DIAGRAM (-)H1P/(-)H1AY4821ST - 115V .....	70
9.2 WIRING DIAGRAM (-)H1P/(-)H1AY4821ST - 208/240V .....	71
9.3 WIRING DIAGRAM (-)H2T/(-)H1A (CONSTANT TORQUE) - 115V .....	72
9.4 WIRING DIAGRAM (-)H2T/(-)H1A (CONSTANT TORQUE) - 230V .....	73
9.5 WIRING DIAGRAM (-)H2T/(-)H1A (CONSTANT TORQUE) - 230V .....	74
9.6 WIRING DIAGRAM (-)H2T/(-)H1A (CONSTANT TORQUE) - 115V .....	75
9.7 WIRING DIAGRAM (-)H1P/(-)H1AY4821ST - 115V .....	76
9.8 WIRING DIAGRAM (-)H1P/(-)H1AY4821ST - 208/240V .....	77
9.9 WIRING DIAGRAM (-)H1P - 480V .....	78
9.10 WIRING DIAGRAM (-)H1P - 480V .....	79
9.11 WIRING DIAGRAM (-)H2T - 480V .....	80
9.12 WIRING DIAGRAM (-)H2T - 480V .....	81

**⚠ WARNING** (SEE SECTION 3.13: ELECTRICAL WIRING)

Disconnect all power to unit before installing or servicing. More than one disconnect switch may be required to de-energize the equipment. Hazardous voltage can cause severe personal injury or death.

**⚠ WARNING** (SEE SECTION 7.5: BLOWER ASSEMBLY REMOVAL & REPLACEMENT)

If removal of the blower assembly is required, all disconnect switches supplying power to the equipment must be de-energized and locked (if not in sight of unit) so the field power wires can be safely removed from the blower assembly. Failure to do so can cause electrical shock resulting in personal injury or death.

**⚠ WARNING**

Because of possible damage to equipment or personal injury, installation, service, and maintenance should be performed by a trained, qualified service personnel. Consumer service is recommended only for filter cleaning/replacement. Never operate the unit with the access panels removed.

**⚠ CAUTION**

The fixed wiring insulation must be protected, for example, by insulating sleeving having an appropriate temperature rating. Any means for disconnection must be incorporated in the fixed wiring in accordance with the wiring rules.

**⚠ CAUTION**

Single-pole contactors are used on all standard single-phase units through 5 tons. Caution must be exercised when servicing as only one leg of the power supply is broken by the contactor.

Do not use means to accelerate the defrosting process or to clean, other than those recommended by the manufacturer.

The appliance shall be stored in a room without continuously operating ignition sources (for example: open flames, an operating gas appliance or an operating electric heater).

Do not pierce or burn.

Be aware that refrigerants may not contain an odor.

# 1.0 SAFETY INFORMATION

**⚠ WARNING**

Duct leaks can create an unbalanced system and draw pollutants such as dirt, dust, fumes and odors into the home causing property damage. Fumes and odors from toxic, volatile or flammable chemicals, as well as automobile exhaust and carbon monoxide (CO), can be drawn into the living space through leaking ducts and unbalanced duct systems causing personal injury or death (see Figure 1).

- If air-moving equipment or ductwork is located in garages or off-garage storage areas - all joints, seams, and openings in the equipment and duct must be sealed to limit the migration of toxic fumes and odors including carbon monoxide from migrating into the living space.
- If air-moving equipment or ductwork is located in spaces containing fuel burning appliances such as water heaters or boilers - all joints, seams, and openings in the equipment and duct must also be sealed to prevent depressurization of the space and possible migration of combustion byproducts including carbon monoxide into the living space.

**⚠ WARNING**

These instructions are intended as an aid to qualified, licensed service personnel for proper installation, adjustment and operation of this unit. Read these instructions thoroughly before attempting installation or operation. Failure to follow these instructions may result in improper installation, adjustment, service or maintenance possibly resulting in fire, electrical shock, property damage, personal injury or death.

**⚠ WARNING** (SEE SECTION 3.2.2: VERTICAL DOWNFLOW)

The RXHB-17, RXHB-21 or RXHB-24 combustible floor base is required when some units with electric heat are applied downflow on combustible flooring. Failure to use the base can cause a fire resulting in property damage, personal injury or death. See **CLEARANCES** for units requiring a combustible floor base. See the accessory section in this manual for combustible floor base RXHB.

**⚠ WARNING** (SEE SECTION 3.13.2: GROUNDING)

The unit must be permanently grounded. Failure to do so can result in electrical shock causing personal injury or death.

**⚠ WARNING** (SEE SECTION 7.0: MAINTENANCE)

Units with circuit breaker(s) meet requirements as a service disconnect switch, however, if access is required to the line side (covered) of the circuit breaker, this side of the breaker(s) will be energized with the breaker(s) de-energized. Contact with the line side can cause electrical shock resulting in personal injury or death.

**⚠ WARNING** (SEE SECTION 3.6: DUCTWORK)

Do not, under any circumstances, connect return ductwork to any other heat producing device such as fireplace insert, stove, etc. Unauthorized use of such devices may result in fire, carbon monoxide poisoning, explosion, personal injury or property damage.

**⚠ CAUTION**

This appliance is not intended for use by persons (including children) with reduced physical, sensory or mental capabilities, or lack of experience and knowledge, unless they have been given supervision or instruction concerning use of the appliance by a person responsible for their safety.

Children should be supervised to ensure that they do not play with the appliance. The fixed wiring insulation must be protected, for example, by insulating sleeving having an appropriate temperature rating. Any means for disconnection must be incorporated in the fixed wiring in accordance with the wiring rules.

Continued on next page >

## WARNING

**PROPOSITION 65:** This appliance contains fiberglass insulation. Respirable particles of fiberglass are known to the State of California to cause cancer.

All manufacturer products meet current Federal OSHA Guidelines for safety. California Proposition 65 warnings are required for certain products, which are not covered by the OSHA standards.

California's Proposition 65 requires warnings for products sold in California that contain or produce any of over 600 listed chemicals known to the State of California to cause cancer or birth defects such as fiberglass insulation, lead in brass, and combustion products from natural gas.

All new equipment shipped for sale in California will have labels stating that the product contains and/or produces Proposition 65 chemicals. Although we have not changed our processes, having the same label on all our products facilitates manufacturing and shipping. We cannot always know when, or if products will be sold in the California market.

You may receive inquiries from customers about chemicals found in, or produced by, some of our heating and air-conditioning equipment, or found in natural gas used with some of our products. Listed below are those chemicals and substances commonly associated with similar equipment in our industry and other manufacturers.

- Glass Wool (Fiberglass) Insulation
- Carbon Monoxide (CO).
- Formaldehyde
- Benzene

More details are available at the websites for OSHA (Occupational Safety and Health Administration), at [www.osha.gov](http://www.osha.gov) and the State of California's OEHHA (Office of Environmental Health Hazard Assessment), at [www.oehha.org](http://www.oehha.org). Consumer education is important since the chemicals and substances on the list are found in our daily lives. Most consumers are aware that products present safety and health risks, when improperly used, handled and maintained.

## CAUTION

The indoor coil must be equipped with an electronically powered leak detection system. To be effective, the unit must be electrically powered at all times after installation, other than when servicing.

## WARNING (SEE SECTION 3.7: AIR FILTER)

Do not operate the system without filters. A portion of the dust entrained in the air may temporarily lodge in the duct runs and at the supply registers. Any circulated dust particles could be heated and charred by contact with the heating elements. This residue could soil ceilings, walls, drapes, carpets and other articles in the house.

Soot damage may occur even with filters in place when certain types of candles, oil lamps or standing pilots are burned.

## WARNING

The first 36 inches of supply air plenum and ductwork must be constructed of sheet metal as required by NFPA 90B. The supply air plenum or duct must have a solid sheet metal bottom directly under the unit with no openings, registers or flexible air ducts located in it. If flexible supply air ducts are used they may be located only in the vertical walls of a rectangular plenum, a minimum of 6 inches from the solid bottom. Metal plenum or duct may be connected to the combustible floor base, if not, it must be connected to the unit supply duct flanges such that combustible floor or other combustible material is not exposed to the supply air opening from the downflow unit. Exposing combustible (non-metal) material to the supply opening of a downflow unit can cause a fire resulting in property damage, personal injury or death.

### **Exceptions to downflow warnings:**

- Installations on concrete floor slab with supply air plenum and ductwork completely encased in not less than 2 inches of concrete (See NFPA 90B).

## CAUTION (SEE SECTION 3.2.2: VERTICAL DOWNFLOW & HORIZONTAL RIGHT DISCHARGE)

Unit must be reconfigured for vertical down or horizontal right supply air discharge applications. The coil must be repositioned so the vertical drainpan is on the bottom for vertical down discharge applications or the horizontal drip pan is below coil for horizontal right discharge applications. Failure to reconfigure the unit for these applications can result in property damage and poor system performance.

## CAUTION (SEE SECTION 3.3: AUXILIARY OVERFLOW PAN)

In compliance with recognized codes, an auxiliary drain pan must be installed under all equipment containing evaporator coils that are located in any area of a structure where damage to the building or building contents may occur as a result of an overflow of the coil drain pan or a stoppage in the primary condensate drain piping. See Section 6.3 of this manual for auxiliary horizontal overflow pan accessory information (model RXBM).

## NOTICE

When used in cooling applications, excessive sweating may occur when unit is installed in an unconditioned space. This can result in property damage.

## NOTICE

Improper installation, or installation not made in accordance with the Underwriters Laboratory (UL) certification or these instructions, can result in unsatisfactory operation and/or dangerous conditions and are not covered by the unit warranty.

## CAUTION

This unit is a PARTIAL UNIT AIR CONDITIONER, complying with PARTIAL UNIT requirements of this Standard, and must only be connected to other units that have been confirmed as complying to corresponding PARTIAL UNIT requirements of this Standard, UL 60335-2-40/CSA C22.2 No. 60335-2-40, or UL 1995/CSA C22.2 No 236.

## ▲ NOTICE

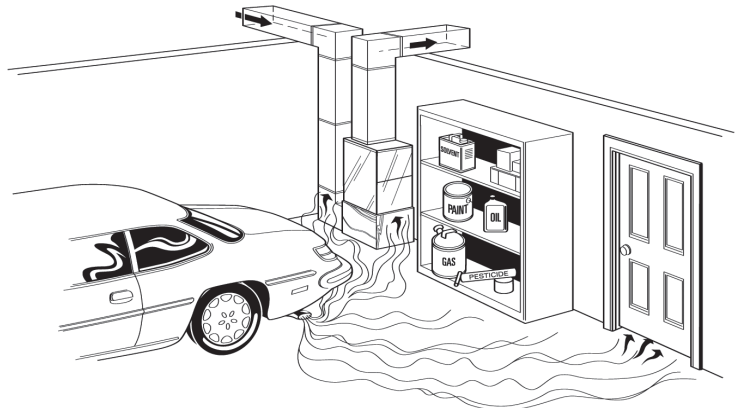
Use of this air-handler during construction is not recommended. If operation during construction is absolutely required, the following temporary installation requirements must be followed:

Installation must comply with all Installation Instructions in this manual including the following items:

- Properly sized power supply and circuit breaker/fuse
- Air-handler operating under thermostatic control;
- Return air duct sealed to the air-handler;
- Air filters must be in place;
- Correct air-flow setting for application
- Removing the coil and storing it in a clean safe place is highly recommended until construction is completed and the outdoor unit is installed.
- Clean air-handler, duct work, and components including coil upon completion of the construction process and verify proper air-handler operating conditions according as stated in this instruction manual.
- NOTE: Electric strip heater elements tend to emit a burning odor for a few days if dust has accumulated during construction. Heater elements are easily damaged. Take great care when cleaning them. Low pressure compressed air is recommended for cleaning elements.

FIGURE 1

MIGRATION OF DANGEROUS SUBSTANCES, FUMES, AND ODORS INTO LIVING SPACES



Adapted from *Residential Duct Diagnostics and Repair*, with permission of Air Conditioning Contractors of America (ACCA).

## ▲ WARNING



### Carbon Monoxide (CO) Poisoning Can Cause Severe Injury or Death.

Carbon Monoxide from the exhaust of motor vehicles and other fuel burning devices can be drawn into the living space by the operation of the central heating and air conditioning system.

Exhaust from motor vehicles, generators, garden tractors, mowers, portable heaters, charcoal and gas grills, gasoline powered tools, and outdoor camping equipment contains carbon monoxide, a poisonous gas that can kill you. You cannot see it, smell it, or taste it.

- Do NOT operate an automobile or any engine in a garage for more than the few seconds it takes to enter or exit the garage.
- Do NOT operate any fuel-burning device in an enclosed or partly enclosed space, or near building windows, doors or air intakes.

The U.S. Consumer Product Safety Commission (CPSC) and Health Canada recommend the installation of UL or CSA certified Carbon Monoxide Alarm(s) in every home.

## ▲ WARNING

Duct leaks can create an unbalanced system and draw pollutants such as dirt, dust, fumes and odors into the home causing property damage. Fumes and odors from toxic, volatile or flammable chemicals, as well as automobile exhaust and carbon monoxide (CO), can be drawn into the living space through leaking ducts and unbalanced duct systems causing personal injury or death (see Figure 1).

- If air-moving equipment or ductwork is located in garages or off-garage storage areas - all joints, seams, and openings in the equipment and duct must be sealed to limit the migration of toxic fumes and odors including carbon monoxide from migrating into the living space.
- If air-moving equipment or ductwork is located in spaces containing fuel burning appliances such as water heaters or boilers - all joints, seams, and openings in the equipment and duct must also be sealed to prevent depressurization of the space and possible migration of combustion byproducts including carbon monoxide into the living space.







## ▲ NOTICE

Improper installation, or installation not made in accordance with the Underwriters Laboratory (UL) certification or these instructions, can result in unsatisfactory operation and/or dangerous conditions and are not covered by the unit warranty.

## ▲ NOTICE

Intended for indoor use only (excluding laundry rooms).

# MARKINGS REFERENCE

	[Symbol ISO 7000-1659 (2004-01)]	Service indicator: read technical manual
	A2L Symbol	Warning: low burning velocity material
	[Symbol ISO 7000-1701 (2004-01)]	Pressure
	[Symbol IEC 60417-6040 (2010-08)]	Ultraviolet radiation, instructional safeguard
	[Symbol ISO 7000-1641 (2004-01)]	Operator's manual: operating instructions
	[UN GHS (Globally Harmonized System of Classification and Labeling of Chemicals)]	Refrigerant Safety Group AXX, warning; flammable materials

## 2.0 GENERAL INFORMATION

### 2.1 IMPORTANT INFORMATION ABOUT EFFICIENCY & INDOOR AIR QUALITY

Central cooling and heating equipment is only as efficient as the duct system that carries the cooled or heated air. To maintain efficiency, comfort and good indoor air quality, it is important to have the proper balance between the air being supplied to each room and the air returning to the cooling and heating equipment.

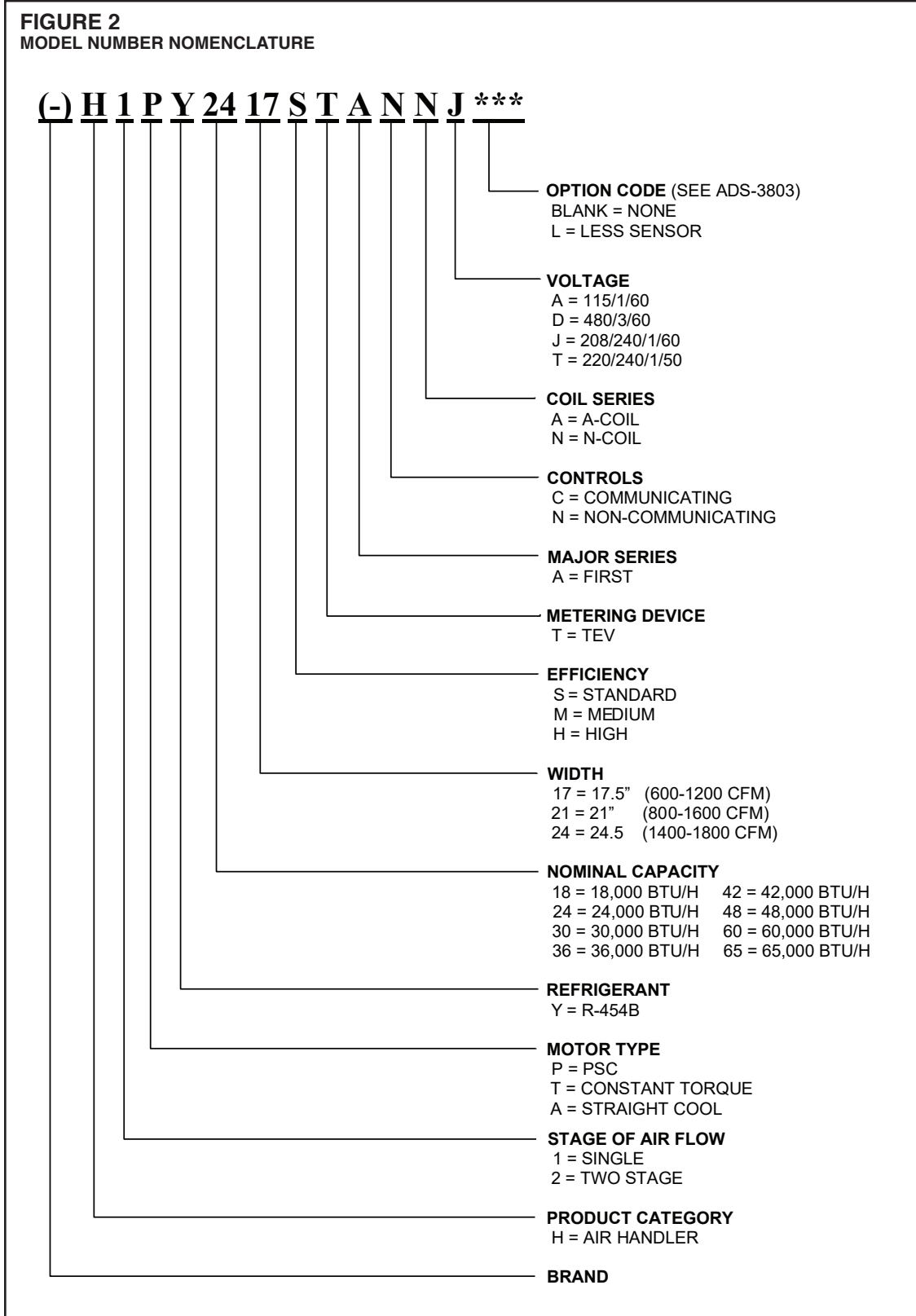
Proper balance and sealing of the duct system improves the efficiency of the heating and air conditioning system and improves the indoor air quality of the home by reducing the amount of airborne pollutants that enter homes from spaces where the ductwork and/or equipment is located. The manufacturer and the U.S. Environmental Protection Agency's Energy Star Program recommend that central duct systems be checked by a qualified contractor for proper balance and sealing.

### 2.2 CHECKING PRODUCT RECEIVED

Immediately upon receipt, all cartons and contents should be inspected for transit damage. Units with damaged cartons should be opened immediately. If damage is found, it should be noted on the delivery documents and a damage claim filed with the delivering carrier.

After unit has been delivered to the job site, remove the unit from the carton taking care not to damage the unit. Check the unit rating plate for unit model number, unit size, coil model, voltage, phase, etc. to assure the unit matches the job specifications.

## 2.3 MODEL NUMBER NOMENCLATURE



## 2.4 AVAILABLE MODELS

### AVAILABLE 115V MODELS

(-)H1PY1817STANNA	(-)H2TY2417STANNA	(-)H1AY2417STANNA
(-)H1PY2417STANNA	(-)H2TY3617STANNA	(-)H1AY3617STANNA
(-)H1PY3017STANNA	(-)H2TY3621STANNA	(-)H1AY3621STANNA
(-)H1PY3617STANNA	(-)H2TY3621MTANAA	(-)H1AY4821STANNA
(-)H1PY3621STANNA	(-)H2TY3621MTANNA	(-)H1AY6021STANAA
(-)H1PY4221STANNA	(-)H2TY4821STANAA	(-)H1AY6024STANNA
(-)H1PY4821STANNA	(-)H2TY4821STANNA	
	(-)H2TY4824STANNA	
	(-)H2TY4824MTANNA	
	(-)H2TY6021STANAA	
	(-)H2TY6024STANNA	

### AVAILABLE 480V MODELS

(-)H1PY3617STANND	(-)H2TY3617STANND
(-)H1PY3621STANND	(-)H2TY3621STANND
(-)H1PY4221STANND	(-)H2TY3621MTANAD
(-)H1PY4821STANND	(-)H2TY3621MTANND
	(-)H2TY4821STANAD
	(-)H2TY4821STANND
	(-)H2TY4824STANND
	(-)H2TY4824MTANND
	(-)H2TY6021STANAD
	(-)H2TY6024STANND

### AVAILABLE 208/240V MODELS

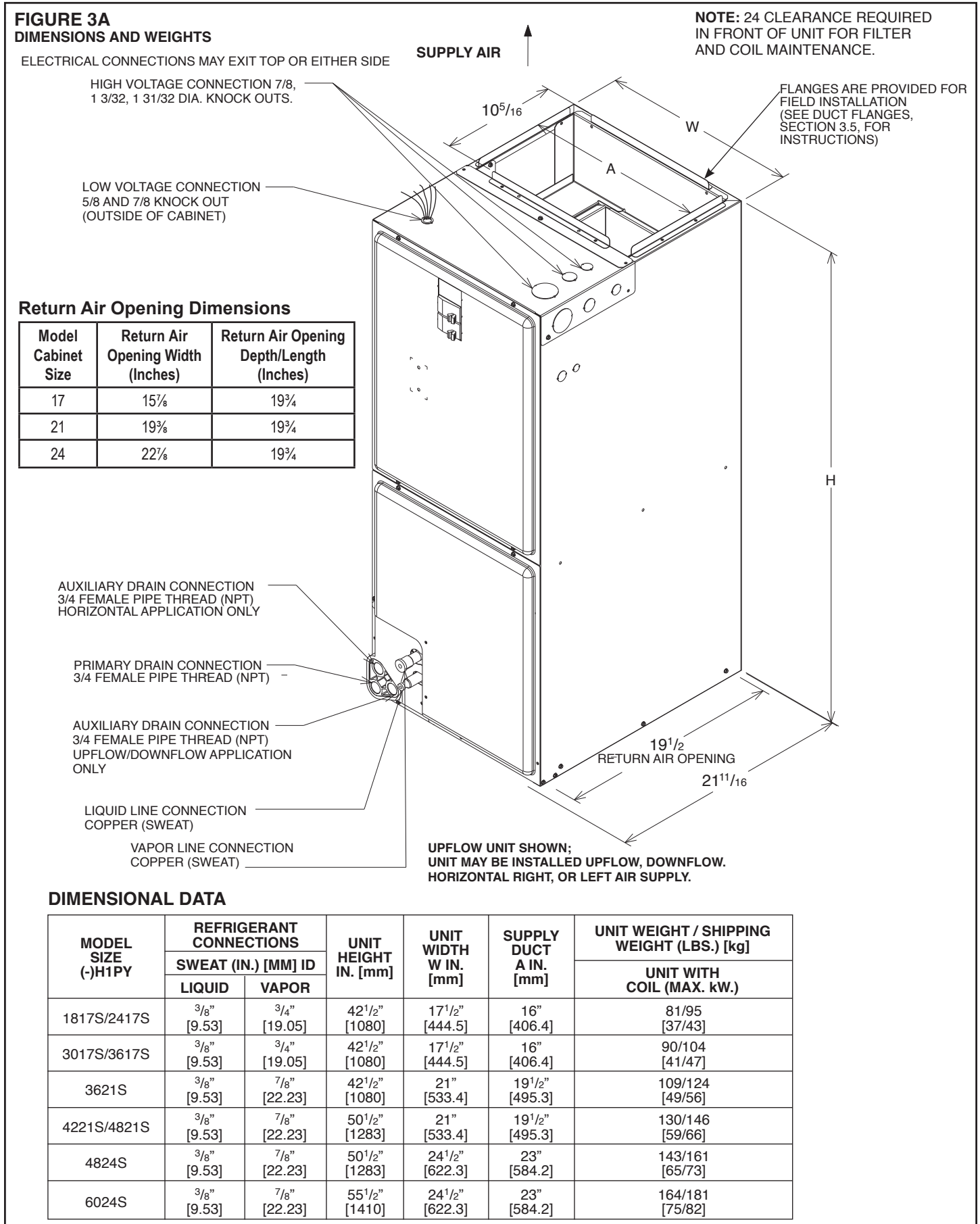
(-)H1PY1817STANNJ	(-)H2TY2417STANNJ	(-)H1AY2417STANNJ
(-)H1PY2417STANNJ	(-)H2TY3617STANNJ	(-)H1AY3617STANNJ
(-)H1PY3017STANNJ	(-)H2TY3621STANNJ	(-)H1AY3621STANNJ
(-)H1PY3617STANNJ	(-)H2TY3621MTANAJ	(-)H1AY4821STANNJ
(-)H1PY3621STANNJ	(-)H2TY3621MTANNJ	(-)H1AY6021STANAJ
(-)H1PY4221STANNJ	(-)H2TY4821STANAJ	(-)H1AY6024STANNJ
(-)H1PY4821STANNJ	(-)H2TY4821STANNJ	
(-)H1PY4824STANNJ	(-)H2TY4824STANNJ	
(-)H1PY6024STANNJ	(-)H2TY4824MTANNJ	
	(-)H2TY6021STANAJ	
	(-)H2TY6024STANNJ	

#### Notes:

- J Voltage (208/240V) single phase air handler is designed to be used with single or three phase 208/240V power. When connecting 3-phase power to the air handler terminal block, bring only two leads to the terminal block. Cap, insulate and fully secure the third lead.
- The air handlers are shipped from the factory with the proper indoor coil installed, and cannot be ordered without a coil.
- These air handlers do not have an internal filter rack. An external filter rack or other means of filtration of return air is required.
- Electric resistance heaters are field installed items. (See Section 6.1)
- Suitable for use in Manufactured (Mobile) Homes.
- The (-)H1A air handler includes models with constant torque motors, except for (-)H1AY4821ST models, as they are equipped with a PSC motor.

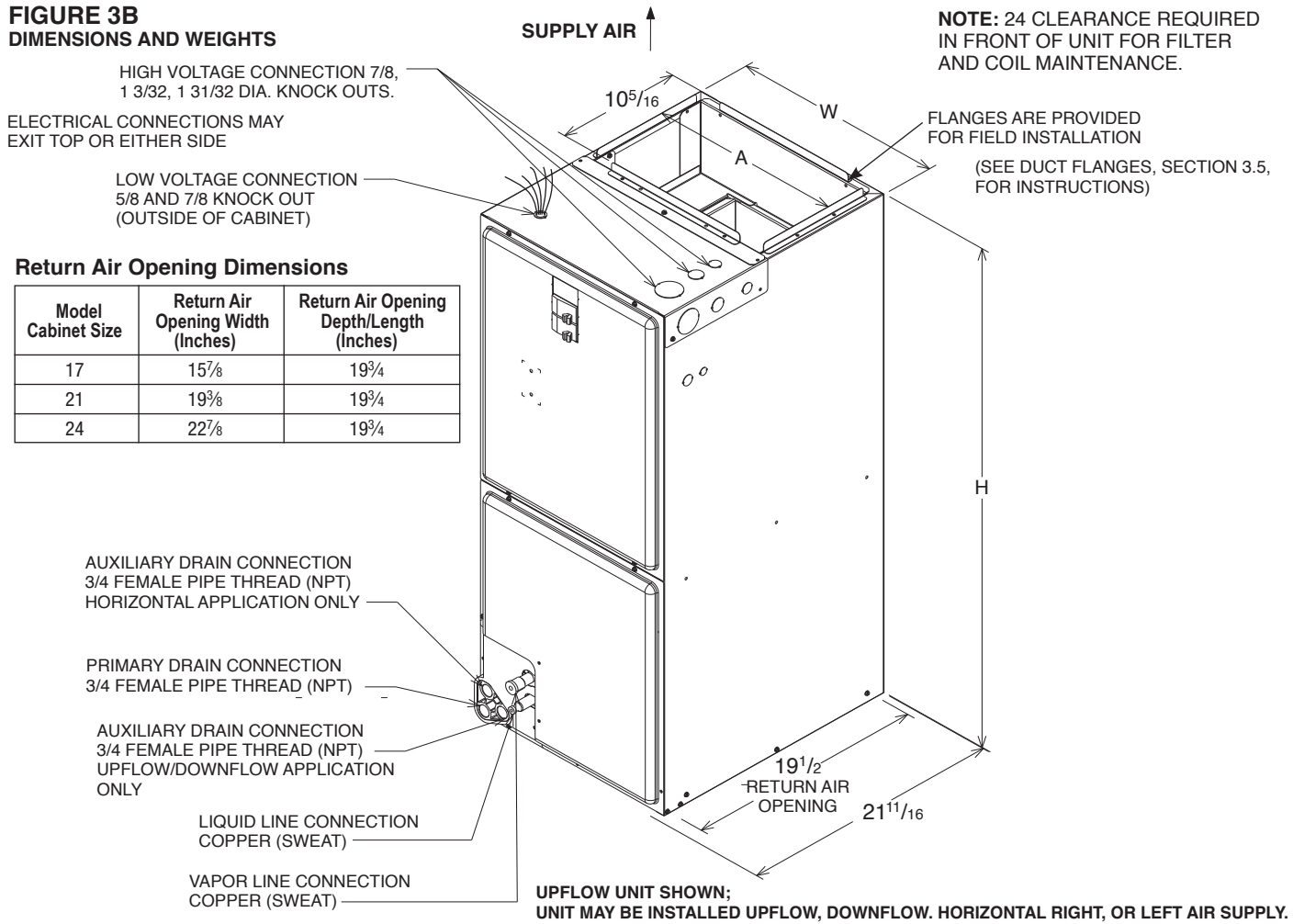
## 2.5 Dimensions & Weight

### 2.5.1 DIMENSIONS & WEIGHTS: (-)H1P MODELS



## 2.5.2 DIMENSIONS & WEIGHTS: (-)H2T MODELS

**FIGURE 3B**  
**DIMENSIONS AND WEIGHTS**

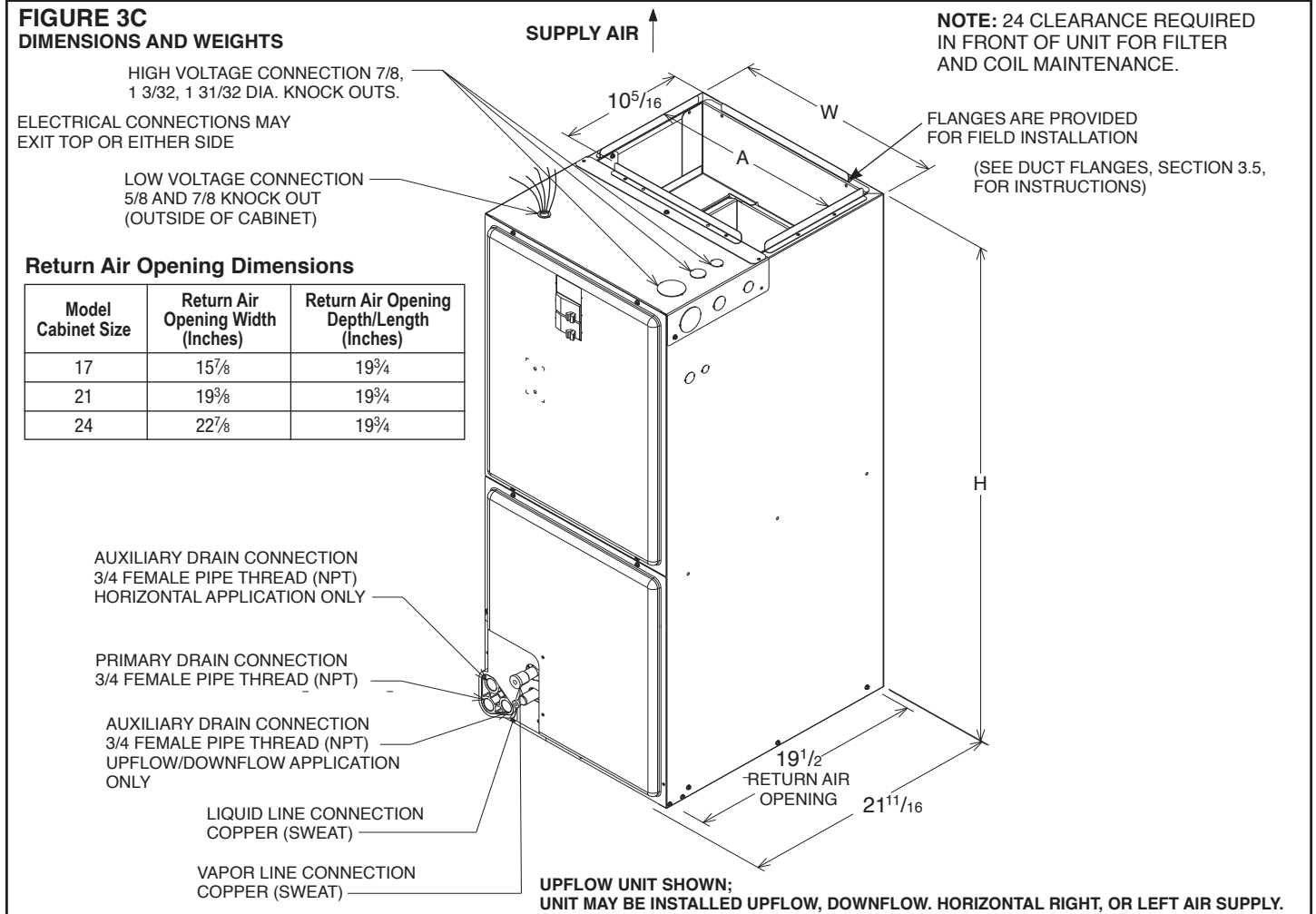


### DIMENSIONAL DATA

MODEL SIZE	REFRIGERANT CONNECTIONS		UNIT HEIGHT IN. [mm]	UNIT WIDTH "W" IN. [mm]	SUPPLY DUCT "A" IN. [mm]	UNIT WEIGHT / SHIPPING WEIGHT (LBS.) [kg]
	SWEAT (IN.) [mm] ID					UNIT WITH COIL (MAX. kW.)
(-)H2TY	LIQUID	VAPOR				
2417S	3/8" [9.53]	3/4" [19.05]	42 1/2" [1080]	17 1/2" [445]	16" [409]	92/106 [42/48]
3617S	3/8" [9.53]	3/4" [19.05]	42 1/2" [1080]	17 1/2" [445]	16" [409]	96/110 [44/50]
3621M	3/8" [9.53]	7/8" [22.23]	50 1/2" [1282]	21" [533]	19 1/2" [495]	126/142 [57/64]
3621M*	3/8" [9.53]	7/8" [22.23]	57" [1448]	21" [533]	19 1/2" [495]	137/149 [62/68]
4821S	3/8" [9.53]	7/8" [22.23]	50 1/2" [1282]	21" [533]	19 1/2" [495]	128/144 [56/65]
4821S	3/8" [9.53]	7/8" [22.23]	57" [1448]	21" [533]	19 1/2" [495]	139/151 [63/68]
4824S	3/8" [9.53]	7/8" [22.23]	55 1/2" [1410]	24 1/2" [622]	23" [585]	128/146 [58/66]
4824M	3/8" [9.53]	7/8" [22.23]	55 1/2" [1410]	24 1/2" [622]	23" [585]	159/176 [72/80]
6021S	3/8" [9.53]	7/8" [22.23]	57" [1448]	21" [533]	19 1/2" [495]	139/151 [63/68]
6024S	3/8" [9.53]	7/8" [22.23]	55 1/2" [1410]	24 1/2" [622]	23" [585]	159/176 [72/80]

\* = UNITS WITH "A" COIL

## 2.5.3 DIMENSIONS & WEIGHTS: (-)H1A MODELS



### DIMENSIONAL DATA

MODEL SIZE	REFRIGERANT CONNECTIONS		UNIT HEIGHT IN. [mm]	UNIT WIDTH "W" IN. [mm]	SUPPLY DUCT "A" IN. [mm]	UNIT WEIGHT / SHIPPING WEIGHT (LBS.) [kg]
	SWEAT (IN.) [mm] ID					UNIT WITH COIL (MAX. kW.)
(-)H1AY	LIQUID	VAPOR				
2417S	3/8" [9.53]	3/4" [19.05]	42 1/2" [1080]	17 1/2" [445]	16" [409]	92/106 [42/48]
3617S	3/8" [9.53]	3/4" [19.05]	42 1/2" [1080]	17 1/2" [445]	16" [409]	96/110 [44/50]
3621S	3/8" [9.53]	7/8" [22.23]	42 1/2" [1080]	21" [533]	19 1/2" [495]	111/126 [50/57]
4821S	3/8" [9.53]	7/8" [22.23]	50 1/2" [1282]	21" [533]	19 1/2" [495]	128/144 [56/65]
6021S*	3/8" [9.53]	7/8" [22.23]	57" [1448]	21" [533]	19 1/2" [495]	139/151 [63/68]
6024S	3/8" [9.53]	7/8" [22.23]	55 1/2" [1410]	24 1/2" [622]	23" [585]	161/178 [73/81]

\* = UNITS WITH "A" COIL

## 2.6 IMPORTANCE OF PROPER INDOOR/OUTDOOR MATCH-UPS

To assure many years of reliable operation and optimum customer comfort and to assure the outdoor unit warranty remains valid, an air-handler model should be selected that is properly matched to the outdoor unit. This is especially critical for heat pump systems to assure proper refrigerant charge balance between the cooling and heating modes. The recommended approach is to select an air-handler model that has an AHRI match with the outdoor unit. Refer to the AHRI directory at [www.ahridirectory.org](http://www.ahridirectory.org) to confirm the air-handler and outdoor unit are a certified combination in the AHRI Directory.

## 2.7 IMPORTANCE OF QUALITY INSTALLATION

A quality installation is critical to assure safety, reliability, comfort, and customer satisfaction. Strict adherence to applicable codes, the information in this installation manual, the outdoor unit installation manual, and the thermostat installation manual are key to a quality installation. Read the entire instruction manuals before starting the installation.

**IMPORTANT:** This product has been designed and manufactured to meet certified AHRI capacity and efficiency ratings with the appropriate outdoor units. However, proper refrigerant charge, proper air-flow, and refrigerant line sizing are critical to achieve optimum capacity and efficiency and to assure reliable operation. Installation of this product should follow the manufacturer's refrigerant charging and air-flow instructions located in the outdoor unit installation instructions and the charging chart label affixed to the outdoor unit. Failure to confirm proper charge and air-flow may reduce energy efficiency and shorten equipment life.

The equipment has been evaluated in accordance with the Code of Federal Regulations, Title 24, Chapter XX, Part 3280.

Install the unit in accordance with applicable national, state, and local codes. Latest editions are available from: National Fire Protection Association, Inc., Batterymarch Park, Quincy, MA 02269. These publications are:

- ANSI/NFPA No. 70-(Latest Edition) National Electrical Code.
- NFPA 90A Installation of Air Conditioning and Ventilating Systems.
- NFPA 90B Installation of Warm Air Heating and Air-Conditioning Systems.

Install the unit in such a way as to allow necessary access to the coil/filter rack and blower/control compartment.

## 3.0 INSTALLATION

### 3.1 TOOLS & REFRIGERANT

#### 3.1.1 TOOLS REQUIRED FOR INSTALLING AND SERVICING R-454B MODELS

##### Manifold Sets:

- Up to 800 PSIG High-Side
- Up to 250 PSIG Low-Side
- 550 PSIG Low-Side Retard

##### Manifold Hoses:

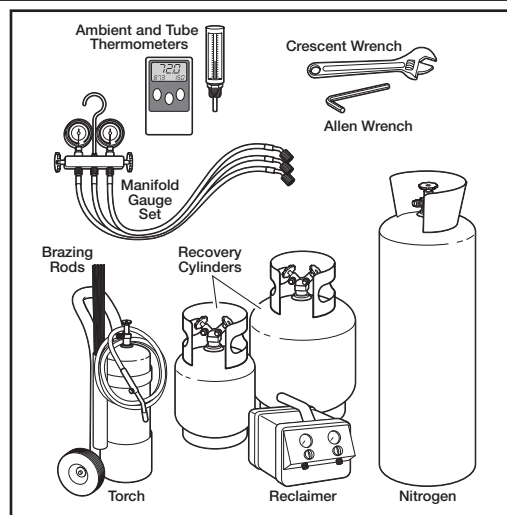
- Service Pressure Rating of 800 PSIG

##### Recovery Cylinders:

- 400 PSIG Pressure Rating
- Dept. of Transportation 4BA400 or 4BW400

### ▲ NOTICE

**R-454B is classified as safety group A2L per ASHRAE Standard 34. Verify that service equipment and instruments are certified for use with group A2L refrigerants, and in particular with R-454B.**



### 3.1.2 SPECIFICATIONS OF R-454B

**Application:** R-454B is not a drop-in replacement for R-410A. Equipment design must accommodate the safety group A2L of R-454B. It cannot be retrofitted into R-410A systems.

**Physical Properties:** R-454B has an atmospheric bubble point of  $-59.6\text{ }^{\circ}\text{F}$  [ $-50.9\text{ }^{\circ}\text{C}$ ] and an atmospheric dew point of  $-58.0\text{ }^{\circ}\text{F}$  [ $-50.0\text{ }^{\circ}\text{C}$ ]. Its bubble point saturation pressure at  $77\text{ }^{\circ}\text{F}$  [ $25\text{ }^{\circ}\text{C}$ ] is 213 psig [1469 kPa] and dew point saturation pressure at  $77\text{ }^{\circ}\text{F}$  [ $25\text{ }^{\circ}\text{C}$ ] is 205 psig [1415 kPa].

**Composition:** R-454B is classified as safety group A2L per ASHRAE Standard 34. Verify that service equipment and instruments are certified for use with group A2L refrigerants, and in particular with R-454B is a non-azeotropic mixture of 68.9% by weight difluoromethane (HFC-32) and 31.1% by weight 2,3,3,3-tetrafluoro-1-propene (HFO-1234yf).

**Pressure:** The pressure of R-454B is classified as safety group A2L per ASHRAE Standard 34. Verify that service equipment and instruments are certified for use with group A2L refrigerants, and in particular with R-454B is similar to that of R-410A. Recovery and recycle equipment, pumps, hoses, and the like must have design pressure ratings appropriate for R-454B. Manifold sets need to range up to 800 psig high-side and 250 psig low-side with a 550 psig low-side retard. Hoses need to have a service pressure rating of 800 psig. Recovery cylinders need to have a 400 psig service pressure rating, DOT 4BA400 or DOT 4BW400.

**Flammability:** R-454B is classified as safety group A2L, where the 2L flammability class indicates lower flammability. **R-454B and air should never be mixed in tanks or supply lines or be allowed to accumulate in storage tanks. Leak checking should never be done with a mixture of R-454B and air.**

### 3.1.3 QUICK-REFERENCE GUIDE FOR R-454B

- Refrigerant R-454B operates at pressures similar to R-410A. However, it is classified in safety group A2L. Ensure that servicing equipment is compatible with R-454B.
- Refrigerant cylinders are no longer color-coded. R-454B cylinders are light green gray in color with a red band on the shoulder or top of the cylinder to indicate flammability.
- R-454B is only compatible with POE oils.
- Vacuum pumps will not remove moisture from POE oil used in R-454B systems.
- R-454B systems should be charged with liquid refrigerant in liquid phase. R-454B cylinders should be inverted to ensure liquid charging of the equipment.
- Do not install a suction line filter drier in the liquid line.
- A factory-approved outdoor liquid line filter drier is shipped with every unit and must be installed in the liquid line at the time of installation. If only the air-handler is being replaced on an existing system, the existing filter drier must be replaced at the time of installation with a field supplied filter drier. **IMPORTANT:** A bi-flow filter drier must be used for heat pump applications. Filter driers must be rated for minimum working pressure of 600 psig. The filter drier will only have adequate moisture-holding capacity if the system is properly evacuated.
- Desiccant (drying agent) must be compatible for POE oils and R-454B refrigerant.
- R-454B cylinders containing less than 50 lbs of refrigerant require a CGA 164 fitting. R-454B cylinders containing more than 50 lbs of refrigerant require a CGA 670 fitting.

## 3.2 APPLICATIONS AND ORIENTATION

### 3.2.1 VERTICAL UPFLOW & HORIZONTAL LEFT DISCHARGE

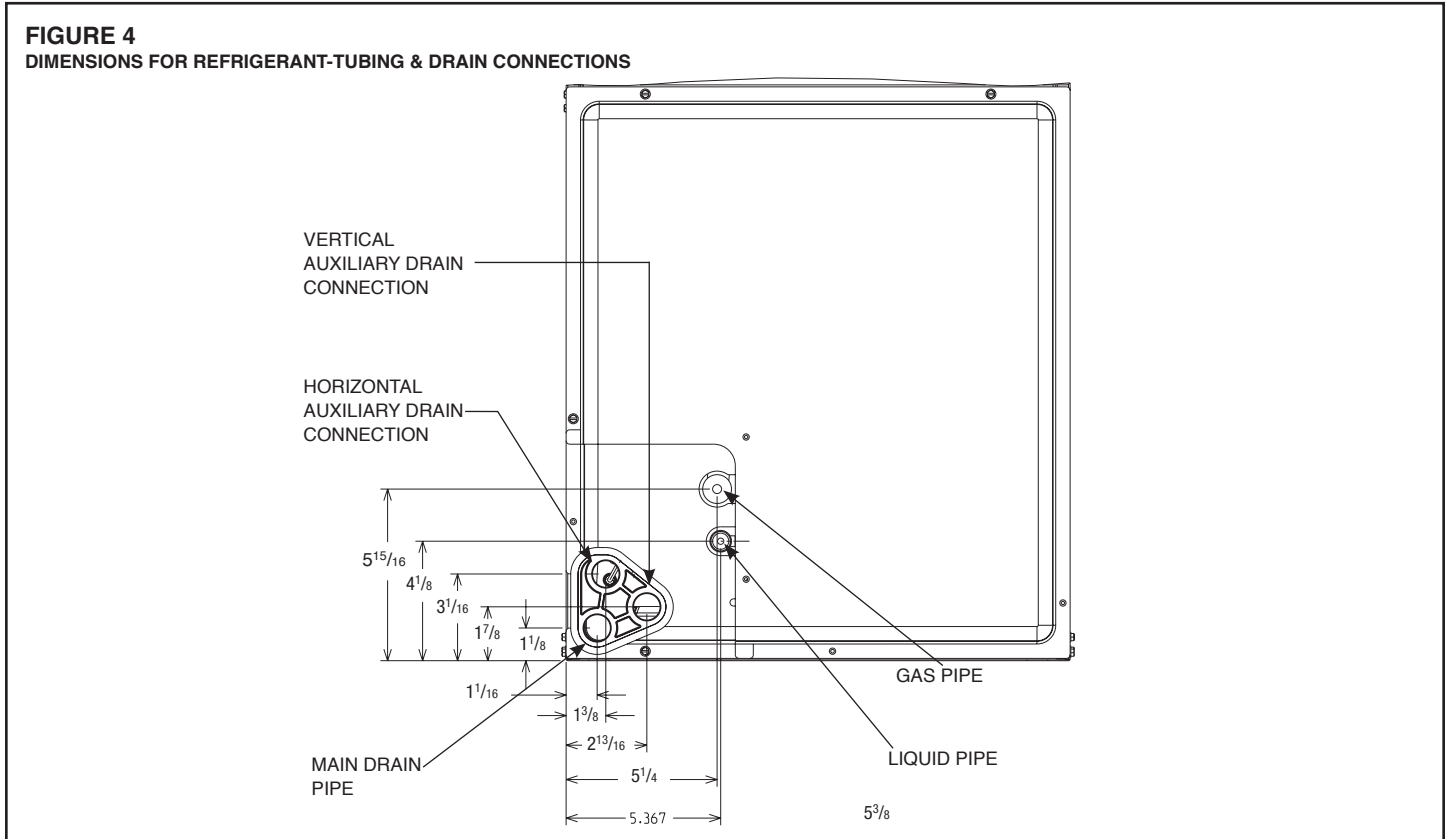
- Vertical Upflow & Horizontal Left Discharge is the factory configuration for all models (see Figure 4).
- The return air plenum must be large enough to supply unit and strong enough to support unit weight.
- If return air is to be ducted through the floor, install duct flush with floor. Use fireproof resilient gasket 1/8 to 1/4 in. thick between duct, unit and floor. Set unit on floor over opening.

**IMPORTANT:** Do not cut the side out of air-handler cabinet for a side return duct as this will result in the return air bypassing the coil. Instead, install air-handler on top of a field supplied sheet metal or wooden box and run the side return duct into the side of the box.

### 3.2.2 VERTICAL DOWNFLOW & HORIZONTAL RIGHT DISCHARGE

The unit as shipped from the factory is not configured for vertical down or horizontal right discharge applications and must be converted in the field to work in those applications. To make this conversion, remove the coil door and slide the indoor coil out of the cabinet.

When converting the air-handler for vertical down and horizontal right discharge applications, an additional set of 2 coil support rails must be installed before the coil can be reinstalled. These additional rails are supplied with the air-handler and are packaged with the duct flanges. Six screws are also provided for mounting the rails and can be found in the installation hardware bag. Clearance holes must be drilled in the sides of the cabinet for the mounting screws using the provided dimples as guides. Note that the shorter coil support rail with no notch must be mounted on the left-hand side to provide clearance for the drainpan condensate connection boss.



The vertical down/horizontal right coil support rails were not installed at the factory so the insulation under them would not be compressed which could result in exterior cabinet sweating in humid environments due to that location being in the cold downstream side of the indoor coil in vertical up and horizontal left discharge applications. The coil support rails installed at the factory should be left in place to help retain the cabinet insulation. They will be located on the warmer return side of the air-handler for down and horizontal right discharge applications and will therefore not pose a risk for cabinet sweating.

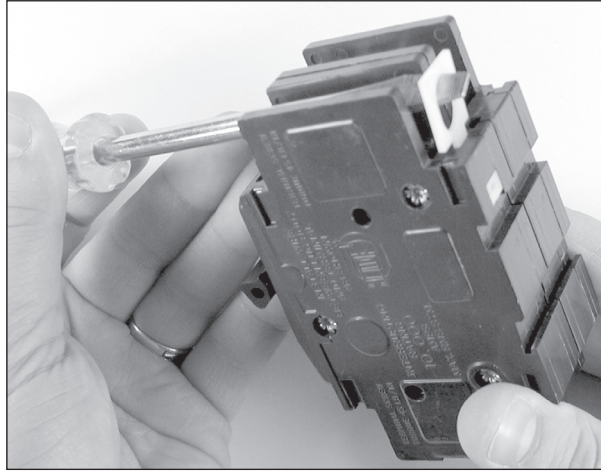
Once the additional coils support rails are installed, slide the coil back into the cabinet 180° from its original position, ensuring the retaining channel is fully engaged with the coil rail. (See Figure 6, Detail A.) Leave the coil door off until after the refrigerant tubing is brazed to the refrigerant stubs to allow TXV to be wrapped with a wet rag or heat sink compound during the brazing process. If the air-handler is not already in position, it can now be positioned so the blower discharge is either down or to the right depending on the application.

**DRIP LOOP NOTE:** When installing the unit in down or horizontal right discharge applications, make sure the wires going to the blower motor form a proper drip loop to force any condensate that might form on the wires to drip off the lowest point of the wiring instead of entering the motor or motor control. This may require cutting the wire-tie and installing a new wire-tie to form a new drip loop.

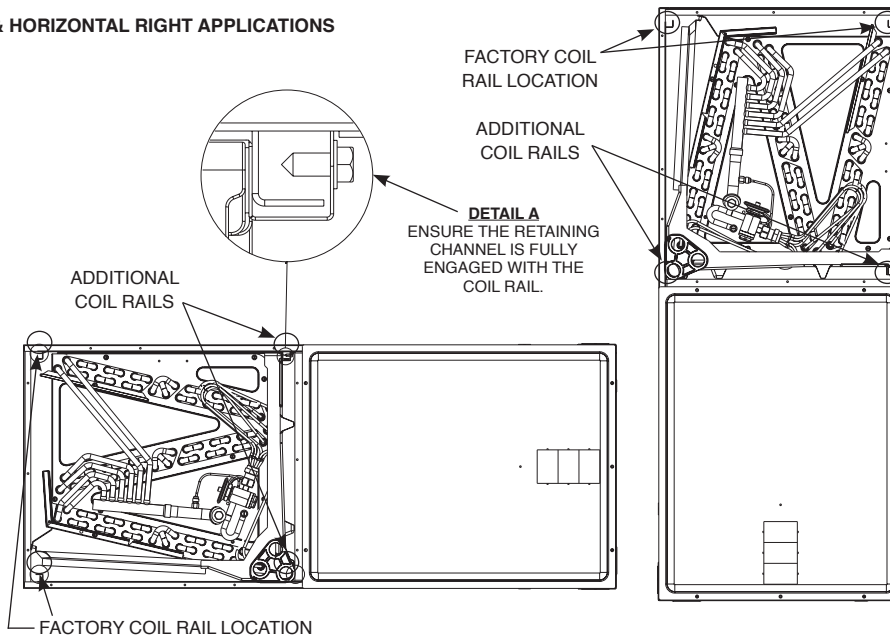
**IMPORTANT:** To comply with certification agencies and the National Electric Code for down discharge applications, the circuit breaker(s) on field-installed electric heater kits must be re-installed per procedure below so that the breaker switch on position and marking is up and the off position and marking is down.

1. To turn breaker(s): Rotate one breaker pair (circuit) at a time starting with the one on the right. Loosen both lugs on the load side of the breaker. Wires are bundles with wire ties, one bundle going to the right lug and one bundle going to the left lug.

**FIGURE 5**  
ROTATING CIRCUIT BREAKER



**FIGURE 6**  
VERTICAL DOWNFLOW & HORIZONTAL RIGHT APPLICATIONS

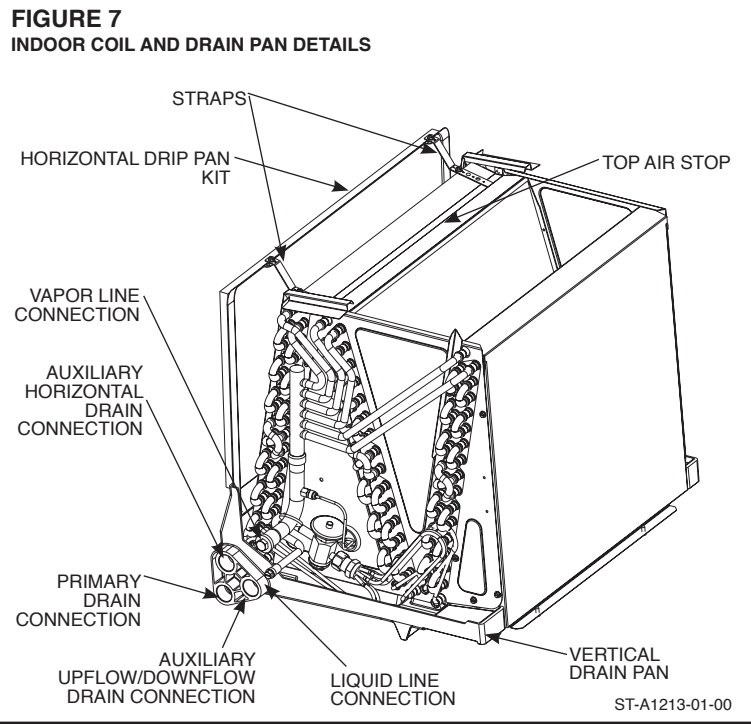


ST-A1213-02-00

2. Using a screwdriver or pencil, lift white plastic tab with hole away from breaker until breaker releases from mounting opening (see Figure 5).
3. With breaker held in hand, rotate breaker so that on position is up and the off position is down with unit in the vertical mounting position. Insert right wire bundle into top right breaker lug, ensuring all strands of all wires are inserted fully into lug, and no wire insulation is caught in lug.
4. Tighten lug as tight as possible while holding circuit breaker. Check wires and make sure each wire is secure and none are loose. Repeat for left wire bundle in left top circuit breaker lug.

**IMPORTANT:** Failure to securely hold the breaker will result in the plastic mounting boss on the breaker to be broken off when the lug is tightened.

1. Replace breaker by inserting breaker mounting tab opposite white pull tab in opening, hook mounting tab over edge in opening.
2. With screwdriver or pencil, pull white tab with hole away from breaker while setting that side of breaker into opening. When breaker is in place, release tab, locking circuit breaker into location in opening.
3. Repeat above operation for remaining breaker(s) (if more than one is provided).



**CAUTION**

Auxiliary horizontal overflow pan kits RXBM- (or equivalent) are required when the unit is configured for the horizontal position over a finished ceiling and/or living space. (See Sections 3.3 and 6.3.) Failure to install overflow pan can result in property damage.

4. If one is used, replace the single point wiring jumper bar on line side of breaker and tighten securely.
5. Double check wires and lugs to make sure all are secure and tight. Check to make sure unit wiring to circuit breaker load lugs match that shown on the unit wiring diagram.

**IMPORTANT:** Units cannot be installed horizontally laying on or suspended from the back of the unit.

**WARNING**

The RXHB-17, RXHB-21 or RXHB-24 combustible floor base is required when some units with electric heat are applied downflow on combustible flooring. Failure to use the base can cause a fire resulting in property damage, personal injury or death. See **CLEARANCES** (Section 3.4) for units requiring a combustible floor base. See the accessory section in this manual for combustible floor base RXHB.

**3.2.3 INSTALLATION IN AN UNCONDITIONED SPACE**

The exterior cabinet of an air handler has a greater risk of sweating when installed in an unconditioned space than when it is installed in the conditioned space. This is primarily due to the temperature of the conditioned air moving through the air handler and the air circulating around the unit where it is installed. For this reason, the following is recommended for all air handler applications, but special attention should be paid to those installed in unconditioned spaces:

- Duct sizing and air-flow are critical and must be based on the equipment selected.
- Supply and return duct attachment: If other than the factory flanges are used, the attachment of ducting must be insulated and tight to prevent sweating.
- No perimeter supply flanges are provided. If a full perimeter supply duct is used, it is the responsibility of the installer to provide duct flanges as needed, to secure and seal the supply duct to prevent air leakage and the sweating that will result.

- Apply caulking around all cabinet penetrations such as power wires, control wires, refrigerant tubing and condensate line where they enter the cabinet. Seal the power wires on the inside where they exit conduit opening. Sealing is required to prevent air leakage into the unit which can result in condensate forming inside the unit, control box, and on electrical controls. Take care not to damage, remove or compress insulation when applying the caulk.
- In some cases, the entire air handler can be wrapped with insulation. This can be done as long as the unit is completely enclosed in insulation, sealed and service access is provided to prevent accumulation of moisture inside the insulation wrap.
- An auxiliary overflow pan is recommended to protect the structure from excessive cabinet sweating or a restricted coil drain line. (See Section 3.3)
- If an electric heater kit is installed, be sure the breaker or disconnect cover is sealed tightly to the door panel.

### 3.2.4 INSTALLATION IN AN UNVENTILATED AREAS

If the installation room areas are not compliant with the outdoor room area values. Appliance shall not be installed in an area where there are potential ignition sources or a continuous open flame unless there is a flame arrest installed on flame-producing appliance.

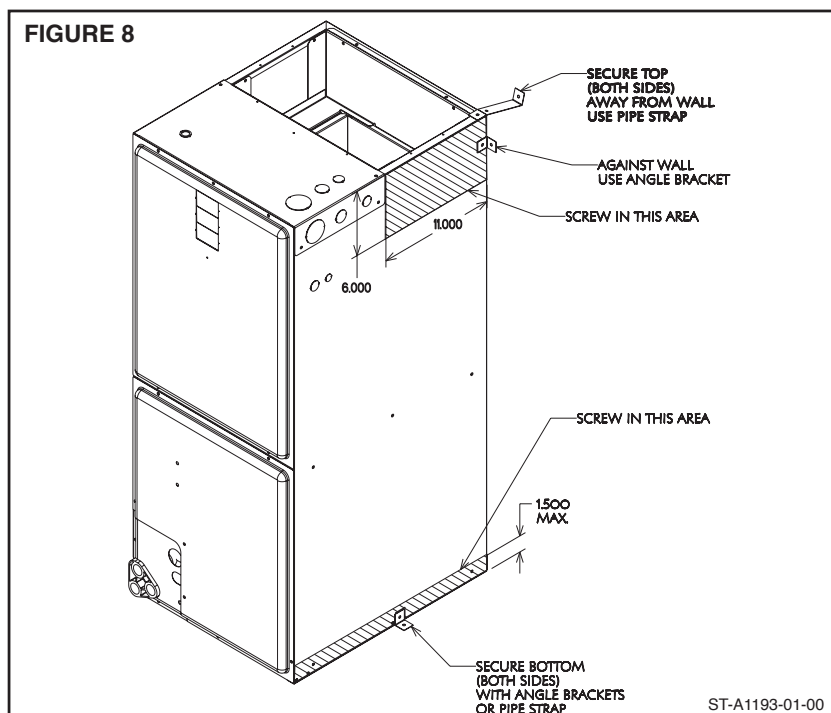
Auxiliary devices which may be a potential ignition source shall not be installed in the duct work. Examples of such potential ignition sources are hot surfaces with a temperature exceeding 700°C (1292°F) and electric switching devices. Only auxiliary devices that are approved by the manufacturer or declared suitable with the refrigerant call be installed in the connecting ductwork.

For appliances using A2L refrigerants, connected via an air duct system to one or more rooms, the supply and return air shall be directly ducted to the space. Open areas such as false ceilings shall not be used as a return air duct.

**Note:** Unventilated is defined by applications without an air circulation fan, or applications that do not employ a refrigerant detection system (RDS). For ventilation and room area table refer to RDS determination table in section 3.8.8 Refrigeration Detection System (RDS) Installation Instructions.

### 3.2.5 INSTALLATION IN MOBILE/MANUFACTURED HOMES

1. Air handler must be secured to the structure using L brackets or pipe strap.
2. Allow a minimum of 24 inches (610 mm) front clearance required to access doors.
3. Recommended method for securing air handler:
  - A. If air handler is against the wall, secure top of air handler to wall stud using two 16ga thick angle brackets one on each side. Attach brackets with No. 10 self-tapping  $\frac{1}{2}$  long screws to air handler and use  $\frac{5}{16}$  lag screws  $1\frac{1}{2}$  long to wall stud. Secure bottom of unit with two 16ga L brackets with No. 10 self-tapping  $\frac{1}{2}$  long screws to air handler and use  $\frac{5}{16}$  lag screws  $1\frac{1}{2}$  long to floor.
  - B. If air handler is away from wall attach pipe strap to top of air handler using No. 10  $\frac{1}{2}$  long self-tapping screws on both sides. Angle strap down and away from back of air handler, remove all slack, and fasten to wall stud of structure using  $\frac{5}{16}$  lag screws  $1\frac{1}{2}$  long. Secure bottom of unit with two 16ga L brackets with No. 10 self-tapping screws to air handler and use  $\frac{5}{16}$  lag screws  $1\frac{1}{2}$  long to floor.



### 3.2.6 INSTALLATION IN CORROSIVE ENVIRONMENTS

The metal parts of this unit may be subject to rust or deterioration if exposed to a corrosive environment which can shorten its life. In addition to exposure to the exterior of the cabinet, chemical contaminants inside the building that can be drawn into the unit from the return air grille and attack structural metal parts, electrical components and the indoor coil, causing premature failure of the unit. If the unit is to be installed in an area where contaminants are likely to be a problem, special attention should be given to isolate the unit and return grille from contaminants.

### 3.2.7 SUPPORTING AIR-HANDLER IN HORIZONTAL APPLICATIONS

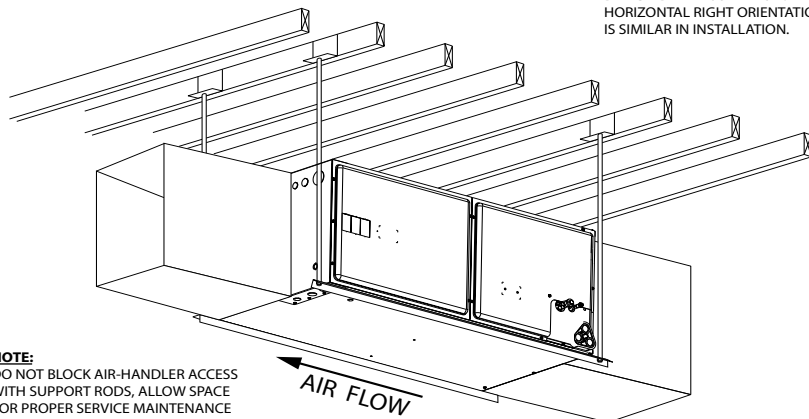
The air-handler must be adequately supported underneath if it is installed in the horizontal position to prevent it from sagging in the middle which can cause issues removing and re-installing the access panels. Position the unit on adequate supports or on support angles or channels (See Figure 9) before connecting ductwork to the unit. If an auxiliary overflow pan is required (See Section 3.3), the overflow pan will need to be adequately supported with the air-handler being supported underneath within the auxiliary overflow pan by angles and/or channels.

### 3.3 AUXILIARY OVERFLOW PAN

In compliance with recognized codes, an auxiliary overflow pan must be installed under all equipment containing evaporator coils that are located in any area of a structure where damage to the building or building contents may occur as a result of an overflow of the coil drain pan or a stoppage in the primary condensate drain piping. See Section 6.3 of this manual for information regarding the recommended auxiliary horizontal overflow pan (model RXBM) for this air-handler.

FIGURE 9

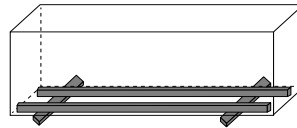
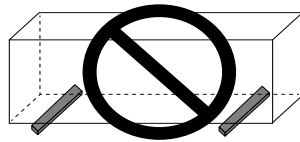
#### SUSPENDED HORIZONTAL AIR-HANDLER.



**NOTE:**  
HORIZONTAL LEFT ORIENTATION  
DEPICTED IN ILLUSTRATION.  
HORIZONTAL RIGHT ORIENTATION  
IS SIMILAR IN INSTALLATION.

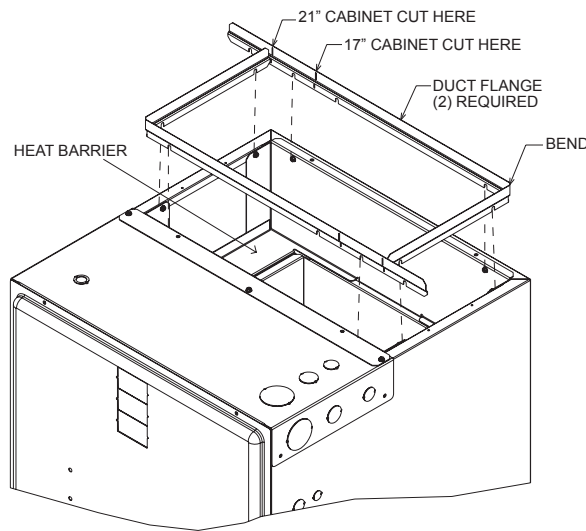
**NOTE:**  
DO NOT BLOCK AIR-HANDLER ACCESS  
WITH SUPPORT RODS, ALLOW SPACE  
FOR PROPER SERVICE MAINTENANCE  
OR REPLACEMENT OF THE COIL AND  
BLOWER ASSEMBLY.

#### SUPPORTING HORIZONTAL AIR-HANDLERS IN AUXILIARY OVERFLOW PANS OR AIR-HANDLERS THAT ARE NOT SUSPENDED.



ST-A1298-01-00

**FIGURE 10**  
DUCT FLANGE INSTALLATION



### 3.4 CLEARANCES

- All units are designed for 0 inches clearance to combustible material on all cabinet surfaces except for downflow application with higher kW electric heat as noted below.
- Some units require a combustible floor base depending on the heating kW if installed in the downflow configuration on a combustible surface. The following table should be used to determine these requirements.

Model Cabinet Size	17	21	24
Maximum Model Designation kW	15	18	20

- Units with electric heating kW equal to or less than the values listed in the table do not require a combustible floor base. See Section 6.5 for Combustible Floor Base RXHB-XX.
- Units with electric heat require a one inch clearance to combustible material for the first three feet of supply plenum and ductwork.
- Vertical downflow applications require clearance on at least one side of the unit for electrical connections. Refrigerant and condensate drain connections are made on the front of the unit.
- All units require 24 inches minimum access to the front of the unit for service.
- These units may be installed in either ventilated or nonventilated spaces.

### 3.5 DUCT FLANGES

Duct flanges (4 pieces) are shipped with the unit and are to be field installed on the top of the air-handler using the following procedure and referring to Figure 10.

1. Loosen the screws attaching the heat barrier to the cabinet.
2. Form a 90° bend with the short leg length at approximately 9.9 from the end where the slot is cut in the flange to facilitate bending. The duct flanges are shipped sized for the 24.5 wide cabinet. For the 17.5 and 21 wide cabinets, cut the long leg as shown in Figure 10 to match the cabinet width.
3. Slide the duct flanges onto the screws loosened in step one above. Tighten the screws to secure the flanges.

### 3.6 DUCTWORK

Field ductwork must comply with the National Fire Protection Association NFPA 90A, NFPA 90B and any applicable local ordinance.

#### WARNING

**Do not, under any circumstances, connect return ductwork to any other heat producing device such as fireplace insert, stove, etc. Unauthorized use of such devices may result in fire, carbon monoxide poisoning, explosion, personal injury or property damage.**

Sheet metal ductwork run in unconditioned spaces must be insulated and covered with a vapor barrier. Fibrous ductwork may be used if constructed and installed in accordance with SMACNA Construction Standard on Fibrous Glass Ducts. Ductwork must comply with National Fire Protection Association as tested by U/L Standard 181 for Class I Air Ducts. Check local codes for requirements on ductwork and insulation.

- Duct system must be designed within the range of external static pressure the unit is designed to operate against. It is important that the system air-flow be adequate. Make sure supply and return ductwork, grilles, filters, accessories, etc. are accounted for in total resistance. Refer to the air-flow performance tables in this manual to determine the available external static pressure for the particular air-handler model being installed.
- Design the duct system in accordance with ACCA Manual D Design for Residential Winter and Summer Air Conditioning and Equipment Selection. Latest editions are available from: ACCA Air Conditioning Contractors of America, 1513 16th Street, N.W., Washington, D.C. 20036. If duct system incorporates **flexible air duct**, be sure **pressure drop** information (straight length plus all turns) shown in ACCA Manual D is accounted for in system.
- Supply plenum is attached to the duct flanges supplied with the unit. See Section 3.5.
- **IMPORTANT:** If an elbow is included in the plenum close to the unit, it must not be smaller than the dimensions of the supply duct flange on the unit.
- **IMPORTANT:** The front flange on the return duct if connected to the blower casing must not be screwed into the area where the power wiring is located. Drills or sharp screw points can damage insulation on wires located inside unit.
- Secure the supply and return ductwork to the unit flanges, using proper fasteners for the type of duct used and tape or caulk the duct-to-unit joint as required to prevent air leaks.

### 3.7 RETURN AIR FILTER

An internal filter rack is not provided with this air-handler. Therefore, an external means of filtering the return air is required. External filters should be sized for a maximum of 300 feet/min air velocity or the maximum velocity recommended by the type of filter installed. One or more return air filter grilles, a filter rack attached to unit return air intake, or a filter rack installed between a sealed return air platform and the return duct are all acceptable means of filtration. All return ducts must be filtered, either at each return grille or at a common filter near the unit.

**Important:** Do not install a return air filter grille and a filter rack at the unit and do not install a filter in the supply duct system.

Filter type, sizing, and placement are critical to heating and cooling system performance. Reduced air-flow can shorten the life of system components such as the compressor, indoor coil, heater elements, over temperature limits, and relays. As filters near the end of their useful life, the pressure drop through them increases. Therefore, it is important to factor the end of life (dirty) pressure drop of filters into the external static pressure of the duct system when selecting blower speeds and designing ductwork to assure the system is operating at the design CFM and system reliability is not compromised. Always verify that the system's air-flow is within specifications by performing a temperature rise (heating mode) and/or temperature drop (cooling mode) with all filters in place.

**Important:** High efficiency pleated filters and electronic air cleaners typically have significantly higher pressure drop than standard efficiency fiberglass filters, especially when they get dirty. Do not use high efficiency filters or electronic air cleaners unless adequate filter area is provided to lower the filter pressure drop to an acceptable level.

#### CAUTION

**R-454B is classified as safety group A2L per ASHRAE Standard 34. Verify that service equipment and instruments are approved for use with group A2L refrigerants, and in particular with R-454B. Failure to exercise care may result in equipment damage or personal injury.**

#### WARNING

**Do not operate the system without filters. A portion of the dust entrained in the air may temporarily lodge in the duct runs and at the supply registers. Any circulated dust particles could be heated and charred by contact with the heating elements. This residue could soil ceilings, walls, drapes, carpets and other articles in the house. Soot damage may occur even with filters in place when certain types of candles, oil lamps or standing pilots are burned.**

## 3.8 REFRIGERANT LINE CONNECTIONS & CHARGING

Pipe-work including piping material, pipe routing, and installation shall include protection from physical damage in operation and service, and be in compliance with national and local codes and standards, such as ASHRAE 15, ASHRAE 15.2, IAPMO Uniform Mechanical Code, ICC International Mechanical Code, or CSA B52. All field joints shall be accessible for inspection prior to being covered or enclosed.

After completion of field piping for split systems, the field pipework shall be pressure tested with an inert gas and then vacuum tested prior to refrigerant charging, according to the following requirements:

- The minimum test pressure for the low side of the system shall be the low side design pressure and the minimum test pressure for the high side of the system shall be the high side design pressure, unless the high side of the system, cannot be isolated from the low side of the system in which case the entire system shall be pressure tested to the low side design pressure.
- Field-made refrigerant joints indoors shall be tightness tested. The test method shall have a sensitivity of 5 grams per year of refrigerant or better under a pressure of at least 0,25 times the maximum allowable pressure.
- No leak shall be detected; where addition of charge is required to complete installation, refer to the Outdoor I&O System start-up and refrigerant charging details for instructions on how to determine the additional REFRIGERANT CHARGE and how to complete the REFRIGERANT CHARGE on the label provided by the manufacturer. Interconnecting refrigerant piping length and diameter shall be taken into consideration as listed in the Line Set Selection.

### 3.8.1 PREPARATION

The coil is shipped with a low pressure (5-10 psig) charge of dry nitrogen which will be released when the rubber plugs are removed. Leave the rubber plugs in the refrigerant connection stubs on the air-handler until the refrigerant lines are ready to be brazed to the refrigerant connection stubs to prevent contaminants from entering the coil. Clean the ends of the tubing and coil connection stubs (inside and outside) with an alcohol wipe before inserting the line set tubes into the coil connection stubs to assure a quality leak-free braze joint.

Refer to the outdoor unit installation instructions for details on refrigerant line sizing and installation. Be sure to follow long line length guidelines if they apply.

Route the refrigerant tubing in a manner than does not block service access to the front of the air-handler.

### 3.8.2 LIQUID LINE FILTER DRIER

A new liquid filter drier must be installed every time any part of the system has been open to the atmosphere, even if it's for a short period of time. The filter drier should be installed close to the air-handler for a system started up in the cooling mode and near the outdoor unit for a heat pump system started up in the heating mode. This allows the filter drier to catch any contaminants in the liquid line before they can enter the indoor or outdoor TXV inlet screen.

### 3.8.3 BRAZING

Air inside the tubing and coil should be displaced with dry nitrogen prior to the brazing process to prevent the formation of harmful copper oxide inside the tubing. It is very important not to pressurize the system with nitrogen while brazing or pin-hole leaks will form in the braze joint. This is accomplished by removing the gauge port valve core on one of the outdoor unit service valves to allow the pressure to be relieved as the heated nitrogen expands. Fill the system with dry nitrogen through the other service valve gauge port and then turn the nitrogen flow off just before brazing is begun.

Protect the TXV, copper to aluminum suction header joint, and outdoor unit service valves from overheating using a wet rag or heat sink compound. Leave the wet rag or heat sink material in place until the joint and surrounding tubing cools down to a safe temperature. Double tip torches can help minimize brazing time and heat conduction to the heat sensitive components if the flame is turned down and held on the joint just long enough to make the braze joint. With both single and double tip torches, turning the flame up too much and keeping the flame on the joint too long will damage the heat sensitive components even when a wet rag or heat sink compound is used.

Use a sheet metal shield to protect the cabinet's paint from the torch flames during the brazing process. The vapor line insulation should be pushed back on the line about 12 inches from the joint and retained to prevent it from igniting or melting during the brazing process.

After the refrigerant brazed connections are made at the air-handler and the tubing has cooled down sufficiently, replace the coil section access panel if it has been removed and seal the air gap around the connection stubs with the foam rubber gasket included in the air-handler parts bag. Peel the self-adhesive backing off of the foam gasket and position it around the stubs with the adhesive side toward the cabinet, then press it firmly against the cabinet. The gasket is split to allow it to go over the stubs after the refrigerant tubes are brazed to the stubs. (**See Figure 12 in Section 3.10**)

After the foam gasket has been installed, the vapor line insulation should be pulled back in place so it contacts the air-handler cabinet to prevent condensate from forming on the cold tube and dripping off. A loosely fitting zip-tie placed around the insulation ½ from the end can be used to hold it in place so it doesn't move away from the cabinet. For air-handlers with TXV's, a section of the insulation will need to be cut out to make room for the externally mounted TXV bulb. (See Section 3.10) Once the bulb is mounted, insulate the bulb with the foam insulation included in the air-handler parts bag, making sure none of the vapor line is uninsulated.

### 3.8.4 LEAK TESTING

After all brazed joints are completed, replace the valve core removed when purging with nitrogen and then leak test the system by pressurizing to 150 psig with dry nitrogen and allow the system to sit for 60 minutes (longer if possible) to assure the pressure does not drop.

### 3.8.5 EVACUATION

If no leaks are detected, evacuate the system down to 500 microns or below before charging the system or opening the service valves on the outdoor unit which will release the charge stored in the outdoor unit into the line set and air-handler coil. Failure to reach 500 microns of vacuum is a sign of a leak or excessive moisture inside the system.

### 3.8.6 REFRIGERANT CHARGING

Once the evacuation process is completed, break the vacuum with the refrigerant from a refrigerant cylinder or with refrigerant stored in the outdoor unit by opening the outdoor unit service valves. The charging process cannot be completed until the remaining steps in the installation process are completed and the indoor air-flow is adjusted to the proper level. See Section 4.7 for further details.

### 3.8.7 REFRIGERANT DETECTION SYSTEM (RDS)

The RDS is used to mitigate any leaked refrigerant that may occur in the indoor portion of the system.

Tripped RDS Sequence of Operations:

Step 1: RDS detects a leak at or over the sensor setpoint.

Step 2: Relay in RDS shuts ODU down and energizes the indoor blower.

Step 3: Leaked refrigerant gets dispersed during the blower on cycle.

Step 4: Once the concentration of the leaked refrigerant is below the RDS setpoint, the blower continues to run for 5 minutes.

Step 5: If the concentration stays below the RDS setpoint for 5 minutes, the system returns to normal operation.

**Note:** There is no lockout timer, and the system can continue to go through these steps.

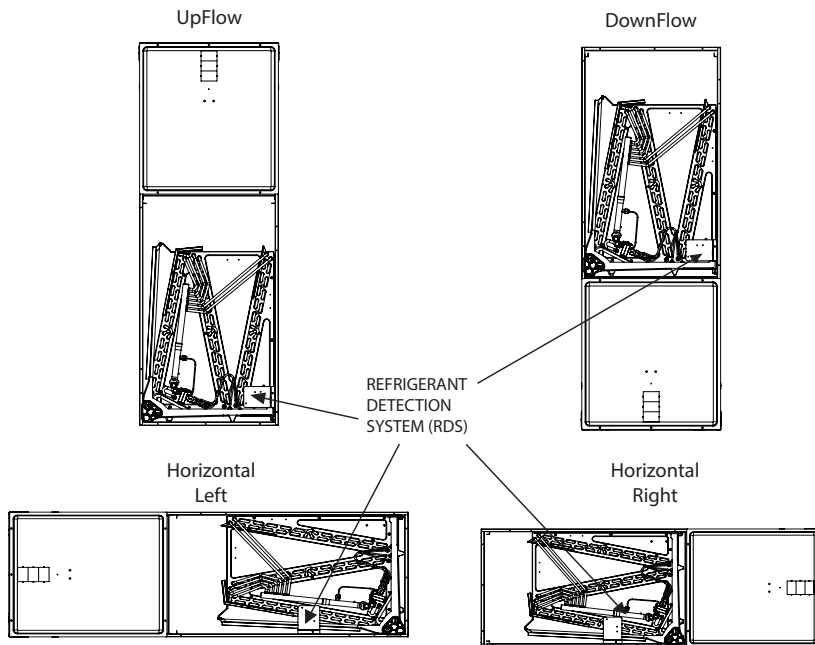
Life expectancy of the RDS is 15 years and should be replaced at the end of life.

Contact Rheem Parts Department for RDS replacement.

### 3.8.8 REFRIGERANT DETECTION SYSTEM (RDS) INSTALLATION INSTRUCTIONS

**Important Note:** The installation process for the RDS varies depending on the flow configuration of the unit. It is crucial to adhere to the following instructions. The RDS is initially configured for upflow installation during manufacturing and can be adjusted for downflow, horizontal right flow, and horizontal left flow configurations.

The RDS must be installed at the location respective to the flow configuration that the unit is installed. Installation locations are defined for each flow configuration in the below illustration.



ST-A1360-07-00

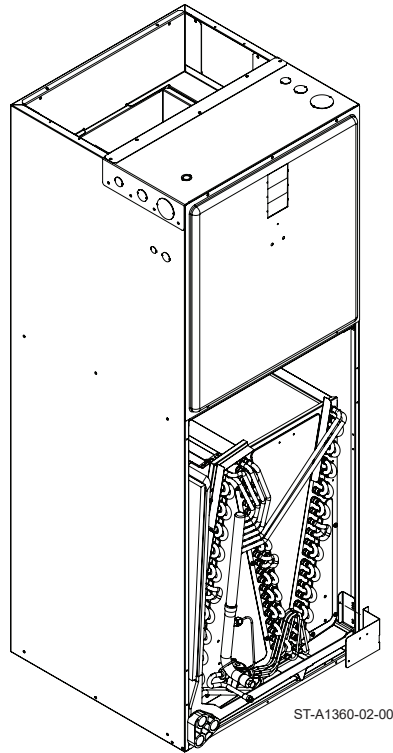
#### PART LIST:

Item Description	Part Number	Quantity
Primary Bracket	AE-109597-01	1
Flange	AE-109596-01	2
Screw	63-22153-05	5
Cup Point Screw	63-24368-01	3
Standoff (14 and 17 upflow only)	AE-110038-01	1

See outdoor installation manual Section 5 for conditioned room area calculations and indoor airflow verifications for units without refrigerant leak detection sensors.

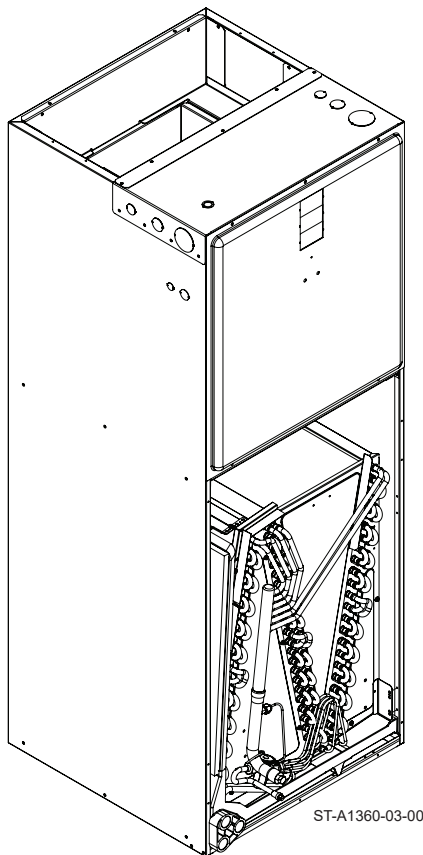
**Step 1: Primary Bracket Removal**

Unscrew and remove the primary bracket from the flange. This screw (Part Number: 63-22153- 05) will be used in Step 3. Ensure the RDS wiring harness is not under tension throughout this process.

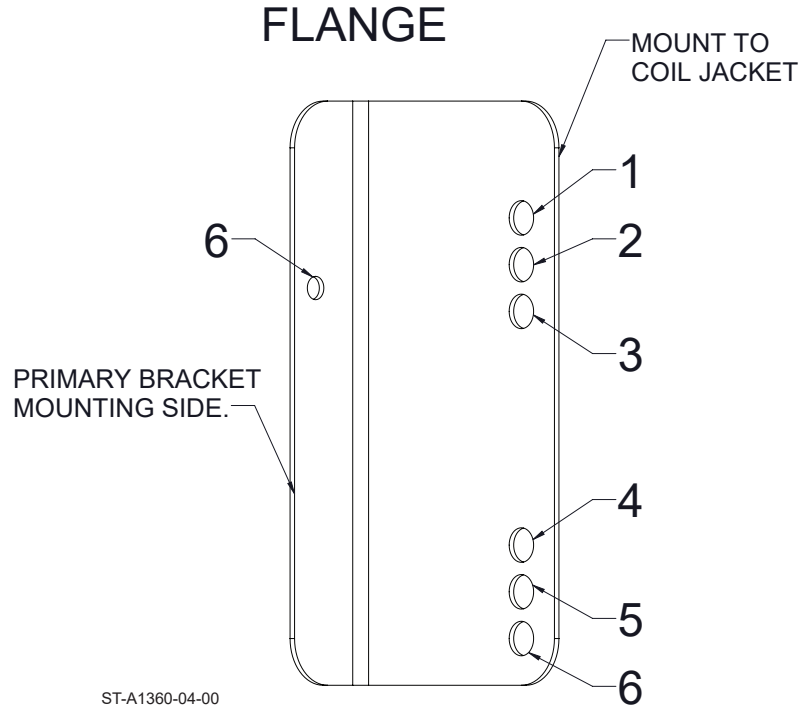


**Step 2: Flange Removal and Relocation**

A. Remove the two screws holding the flange in place to the cabinet.



B. Position the flange according to the unit's flow configuration. Fasten the flange to the cabinet using the two screws removed in the previous step. Refer to the below illustrations for the correct hole placement. Note: An additional flange is installed in manufacturing for the horizontal left flow configuration.

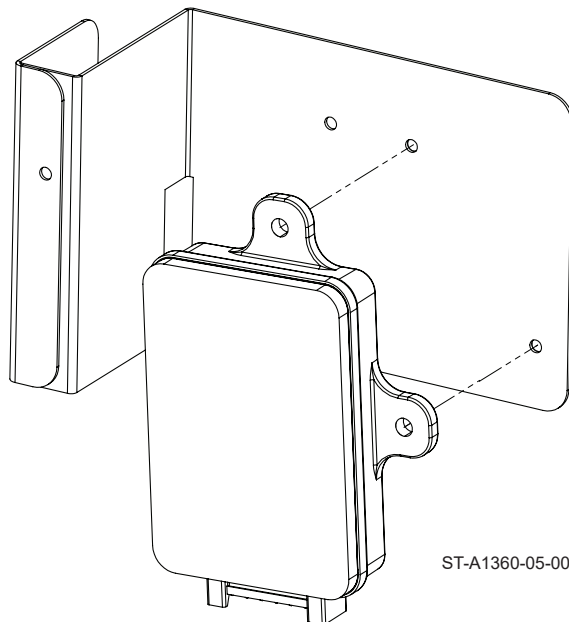


- For vertical flow configurations, secure the flange using holes 1 and 5 for all unit models.
- For horizontal flow configurations, always use hole 1 and either hole 4 or 5, depending on the air-handler cabinet.

### Step 3: RDS Orientation and Relocation

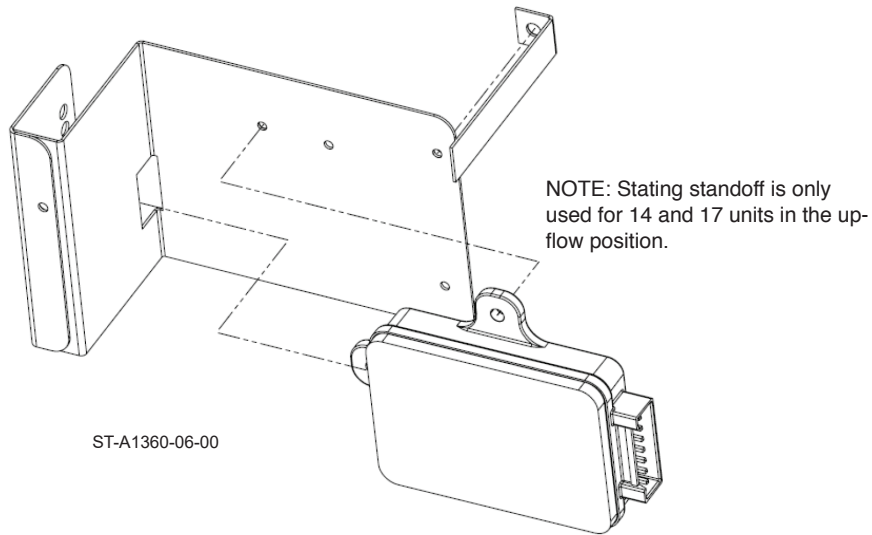
#### A. Horizontal Flow Configurations

- i. Remove the RDS from the upflow or downflow mounting orientation on the primary bracket by removing the single snub-nosed screw and sliding the RDS out of the slot.
- ii. Secure the RDS to the primary bracket using the snub-nose screw provided in the parts bag and the screw removed in the previous step, following the hole positions shown in the illustration.
- iii. Fasten the primary bracket to the flange using the screw removed in Step 1, as shown in the below illustration. Ensure the wiring harness has a drip loop toward the horizontal flow drain pan.



B. Vertical Flow Configurations

- i. Mount the RDS to the primary bracket with one tab fixed in the slot and the other at the hole as shown in the below illustration. Use the provided snub-nose screw.



- ii. Fasten the primary bracket to the flange as described in Step 3. A.III. Ensure the wiring harness has a drip loop toward the vertical flow drain pan.

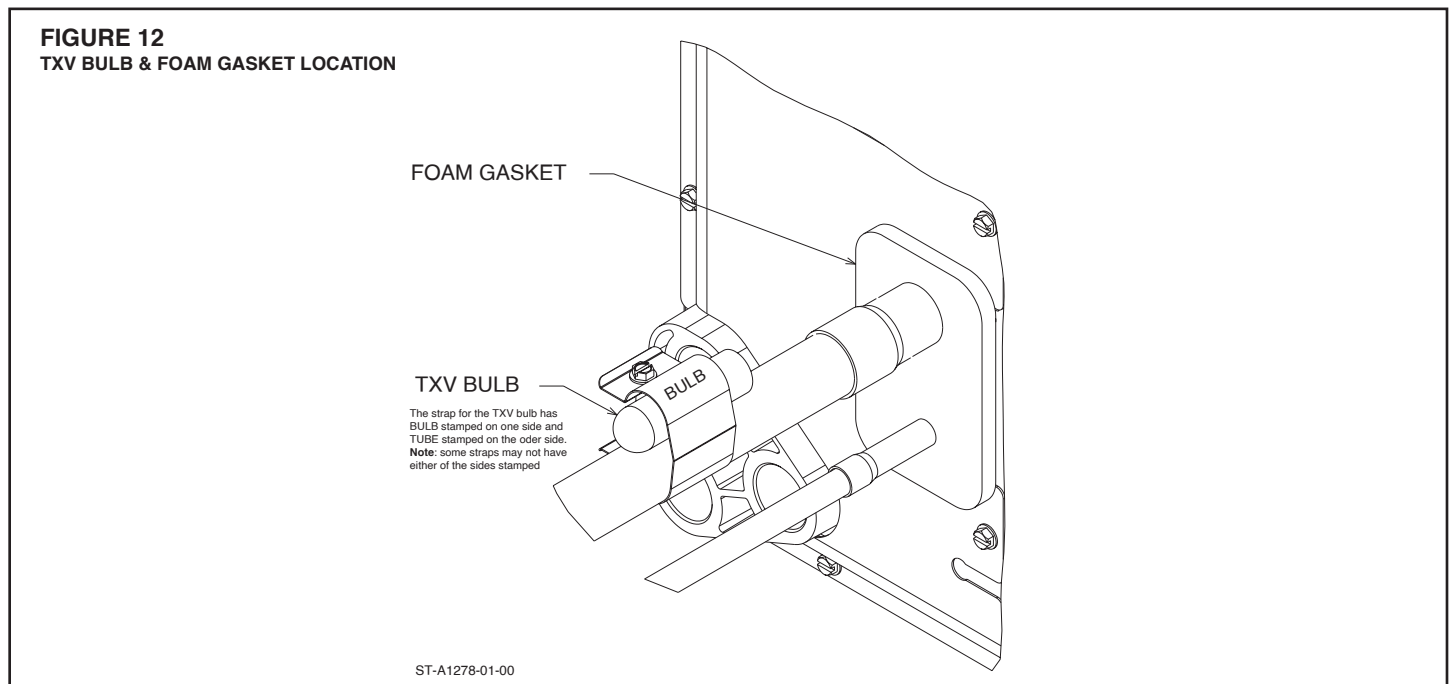
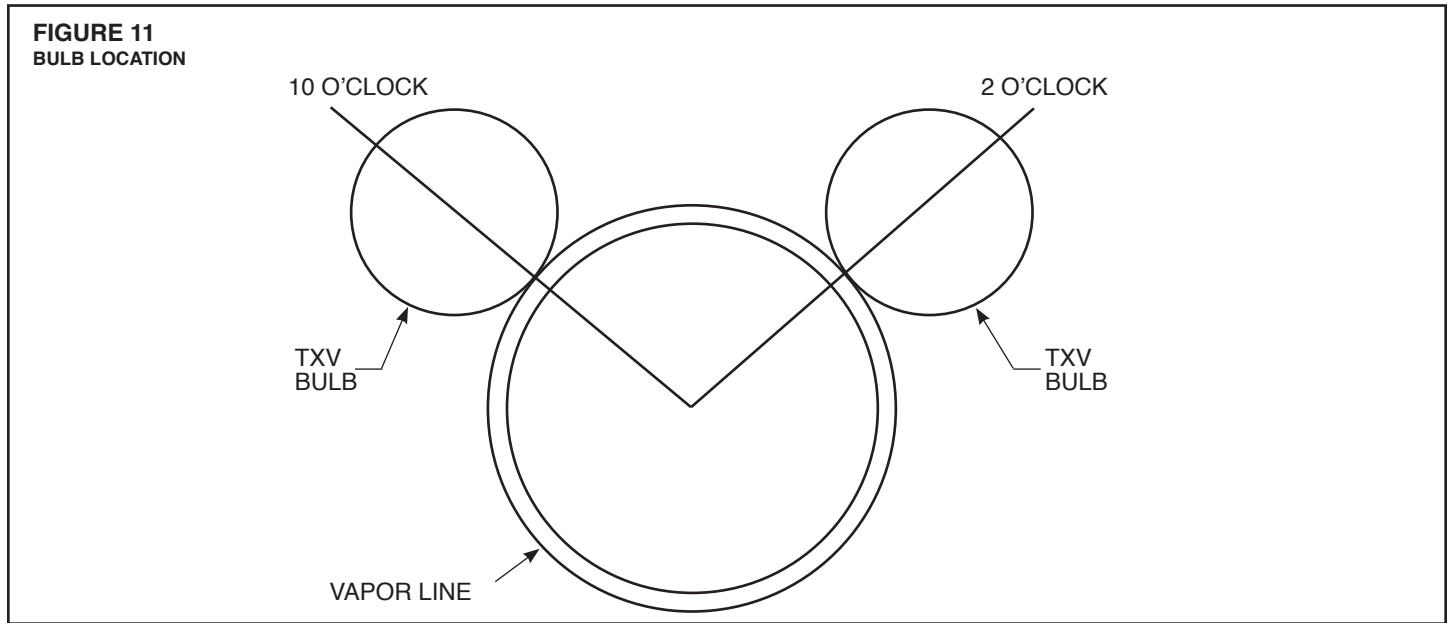
**RDS DETERMINATION TABLE**

Total System Charge (oz)	Minimum Indoor Airflow (CFM)	Without Refrigerant Leak Detection Sensor Area of Smallest Conditioned Room Or Space Where Indoor Unit is Installed (sqft)			With Refrigerant Leak Detection Sensor Minimum Required Total Conditioned Room Area = Sum of all conditioned spaces/ rooms (sqft)  Any configuration
		Distance From Floor to Bottom Edge of Lowest Inlet or Outlet Vent Opening or Bottom Edge of Indoor Unit			
		≤2 FT	6 FT	≥9 FT	
50	166	338	113	75	94
100	333	781	225	150	187
150	499	1758	338	225	281
200	665	3126	451	301	375
250	831	4884	564	376	469
300	998	7032	781	451	562
350	1164	9572	1064	526	656
400	1330	12502	1389	617	750
450	1497	15823	1758	781	843
500	1663	19534	2170	965	937
550	1829	not permitted - sensor required			1031
600	1996				1125

**Note:** If the total charge quantity falls between two rows, use the minimum room area and airflow in the row corresponding to the higher total system charge.

### 3.9 TXV SENSING BULB ATTACHMENT

**IMPORTANT:** DO NOT perform any brazing with the TXV bulb attached to the vapor line. After brazing operations have been completed and the tubing has cooled to the touch, clamp the TXV bulb securely on the vapor line at the 10 to 2 o'clock position (see Figures 11 and 12) with the strap provided in the parts bag. Insulate the TXV sensing bulb and suction line with the provided pressure sensitive insulation (size 4 x 7) and secure with provided wire ties.



**IMPORTANT:** TXV sensing bulb should be located on a horizontal section of suction line, just outside of coil box. The copper sensing bulb must never be placed on any aluminum tube as this will result in galvanic corrosion and eventual failure of the aluminum tube.

### 3.10 CONDENSATE DRAIN

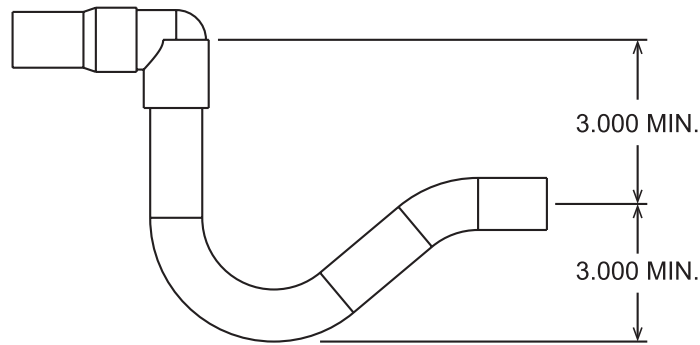
Consult local codes or ordinances for specific requirements.

**IMPORTANT:** When making drain fitting connections to the drain pan, use a thin layer of Teflon paste, silicone or Teflon tape and install hand tight.

**IMPORTANT:** When making drain fitting connections to drain pan, do not overtighten. Overtightening fittings can split pipe connections on the drain pan.

- Install drain lines so they do not block service access to front of the unit. Minimum clearance of 24 inches is required for filter, coil or blower removal and service access.

**FIGURE 13**  
**CONDENSATE DRAIN TRAP**



ST-A1244-01-00

- Although the condensate drain pan is designed to be self draining, it is recommended that the air-handler cabinet be pitched slightly downward toward the primary drain connection to assure the condensate drains completely from the drain pan. The downward pitch should be approximately 1/8 per foot and in both axes.
- Do not reduce drain line size less than connection size provided on condensate drain pan.
  - All drain lines must be pitched downward away from the unit a minimum of 1/8 per foot of line to ensure proper drainage.
  - Do not connect condensate drain line to a closed or open sewer pipe. Run condensate to an open drain or outdoors.
  - The drain line should be insulated where necessary to prevent sweating and damage due to condensate forming on the outside surface of the line.
  - Make provisions for disconnecting and cleaning of the primary drain line should it become necessary. Install a 3 in. trap in the primary drain line as close to the unit as possible. Make sure that the top of the trap is below connection to the drain pan to allow complete drainage of pan (See Figure 13).
  - The auxiliary drain line should be run to a place where it will be noticeable if it becomes operational. The building occupant should be warned that a problem exists if water should begin running from the auxiliary drain line. An auxiliary drain shut-off switch can be installed in lieu of an auxiliary drain line. The shut-off switch should be wired into the control circuit so the outdoor unit shuts down should the switch detect water.
  - Plug the unused drain connection with the plugs provided in the parts bag, using a thin layer of teflon paste, silicone or teflon tape to form a water tight seal.
  - Test the condensate drain pan and drain line after installation is complete. Pour water into drain pan, enough to fill drain trap and line. Check to make sure drain pan is draining completely, no leaks are found in drain line fittings, and water is draining from the open end of the primary drain line.

### 3.11 THERMOSTAT

See instructions for the condensing unit or heat pump for recommended room thermostats.

- On units with one electric heat sequencer (TD<sub>1</sub>) (see wiring diagram for electric heater), heat anticipator setting should be .16.
- On units with two electric heat sequencers (TD<sub>1</sub> & TD<sub>2</sub>) (see wiring diagram for electric heater), heat anticipator setting should be .32 if both are connected to same stage on thermostat. Setting should be .16 if (TD<sub>1</sub> & TD<sub>2</sub>) are connected to separate stages.

**NOTE:** Some thermostats contain a fixed, non-adjustable heat anticipator. Adjustment is not permitted.

- The thermostat should be mounted 4 to 5 feet above the floor on an inside wall of the living room or a hallway that has good air circulation from the other rooms being controlled by the thermostat. It is essential that there be free air circulation at the location of the same average temperature as other rooms being controlled. Movement of air should not be obstructed by furniture, doors, draperies, etc. The thermostat should not be mounted where it will be affected by drafts, hot or cold water pipes or air ducts in walls, radiant heat from fireplace, lamps, the sun, T.V. or an outside wall. See instruction sheet packaged with thermostat for mounting and installation instructions.

### 3.12 ELECTRICAL WIRING

Field wiring must comply with the National Electric Code (C.E.C. in Canada) and any applicable local ordinance.

#### 3.12.1 CONFIGURING UNIT FOR 208 VOLT POWER

The control transformer in 208/240V air-handlers must be configured in the field to operate on a 208 volt electrical supply to assure adequate control voltage (24+ volts) with the reduced supply voltage. The units are shipped from the factory for 220-240 volt applications. For 208 volt applications, disconnect electrical power to the unit and remove the blower access panel and then the control box cover located on the blower housing. Then remove the insulated cap from the 208 volt transformer terminal and move the BLACK wires that are connected to the 240 volt transformer terminal to the 208

volt transformer terminal. Plug the insulated cap onto the transformer 240V terminal. The indoor blower motor in 208/240V versions of the (-)H1P/(-)H1AY4821ST air-handlers must also be configured for 208 volt applications to assure full air-flow delivery at the reduced voltage. This step is not required on (-)H2T/(-)H1A (constant torque) air-handlers since they have constant torque ECM motors. To configure the PSC motor in (-)H1P/(-)H1AY4821ST air-handlers for 208 volt applications, unplug the PURPLE motor lead connected to the insulated terminal on the end of the ORANGE wire coming from the transformer. Pull the cap out of the insulated terminal on end of the YELLOW motor lead and plug the cap into the terminal on the end of the PURPLE motor lead to eliminate the possibility of an electrical short. Plug the YELLOW motor lead into the terminal on the end of the ORANGE wire from the transformer. Secure the indoor blower motor wiring with zip ties to assure they can't come in contact with the blower wheel. Replace the control box cover and blower access panel.

### 3.12.2 GROUNDING

- This product must be sufficiently grounded in accordance with National Electrical Code (C.E.C. in Canada) and any applicable local ordinance.

<b>WARNING</b>
<b>The unit must be permanently grounded. Failure to do so can result in electrical shock causing personal injury or death.</b>

- Grounding may be accomplished by grounding metal conduit when installed in accordance with electrical codes to the unit cabinet.
- Grounding may also be accomplished by attaching ground wire(s) to ground lug(s) provided in the unit wiring compartment.
- Ground lug(s) are located close to wire entrance on left side of unit (upflow). Lug(s) may be moved to marked locations near wire entrance on right side of unit (upflow), if alternate location is more convenient.
- Use of multiple supply circuits require grounding of each circuit to lug(s) provided in unit.

### 3.12.3 POWER WIRING

It is important that proper electrical power is available for connection to the unit model being installed. See the unit name-plate, wiring diagram and electrical data in the installation instructions.

- If required, install a branch circuit disconnect of adequate size, located within sight of, and readily accessible to the unit.

**IMPORTANT:** Units with electric heater kits installed may be equipped with one, two, or three 30/60 amp circuit breakers. These breaker(s) protect the internal wiring in the event of a short circuit and serve as a disconnect. Circuit breakers installed within the unit do not provide over-current protection of the supply wiring and therefore may be sized larger than the branch circuit protection.

- Supply circuit power wiring must be 75°C minimum copper conductors only. See Electrical Data in Sections 3.12.5 and 3.12.6 for ampacity, wire size and circuit protector requirement. Supply circuit protective devices may be either fuses or HACR type circuit breakers.
- Field power wiring may be connected to either the right, left side or top. Three 7/8, 1<sup>3</sup>/<sub>32</sub>, 1<sup>31</sup>/<sub>32</sub> dia. concentric knockouts are provided for connection of power wiring to unit.
- Field power wiring is to be connected to the power terminal block in unit control compartment.
- For units equipped with an electric heater kit, field power wiring is to be connected to the heater kit breaker, terminal block, or pullout disconnect terminals and the power wiring pigtail from the heater kit is to be connected to the unit power terminal block in the unit control compartment. Refer to installation instructions provided with the heater kit for additional details.

### 3.12.4 COPPER WIRE SIZE - AWG. (3% VOLTAGE DROP)

SUPPLY WIRE	LENGTH FEET	200 [61]	12	10	8	8	8	6	6	6	4	4	3	3	2	2	1	0	00
		150 [46]	12	10	10	10	8	8	6	6	6	4	4	3	3	2	1	0	00
		100 [30]	14	12	10	10	8	8	6	6	6	4	4	3	3	2	1	0	00
		50 [15]	14	12	10	10	8	8	6	6	6	4	4	3	3	2	1	0	00
			15	20	25	30	35	40	45	50	60	70	80	90	100	110	125	150	175
SUPPLY CIRCUIT AMPACITY																			
NOTE: WIRE BASED ON COPPER CONDUCTORS 75° MINIMUM RATING FOR MORE THAN 3 CONDUCTORS IN A RACEWAY OR CABLE SEE N.E.C. FOR DERATING THE AMPACITY OF EACH CONDUCTOR.																			

### 3.12.5 ELECTRICAL DATA - BLOWER MOTOR ONLY

#### 3.12.5.1 ELECTRICAL DATA – BLOWER MOTOR ONLY – WITHOUT ELECTRIC HEAT: (-)H1PY

MODEL (-)H1P	VOLTAGE	PHASE*	HERTZ	HP	RPM	SPEEDS	CIRCUIT AMPS.	MINIMUM CIRCUIT AMPACITY	MAXIMUM CIRCUIT PROTECTOR
1817S	115	1	60	1/5	1075	2	2.3	3.0	15
2417S				1/5	1075	2	3.8	5.0	15
3017S				1/4	1075	2	4.7	6.0	15
3617S				1/3	1075	2	6.1	8.0	15
4221S				1/2	1075	2	7.9	10.0	15
4821S				3/4	1075	2	8.4	11.0	15
1817S	208/240	1 & 3	60	1/5	1075	2	1.7	3.0	15
2417S				1/5	1075	2	1.7	3.0	15
3017S				1/4	1075	2	2.5	4.0	15
3617S/3621S				1/3	1075	2	2.5	4.0	15
4221S				1/2	1075	2	5.2	7.0	15
4821ST/4824ST				3/4	1075	2	5.2	7.0	15
6024ST	3/4	1075	2	5.2	7.0	15			
3617S/3621S	480	3	60	1/3	1075	2	1.7	3.0	15
4221S				1/2	1075	2	1.9	3.0	15
4821S				3/4	1075	2	2.2	3.0	15

\*Blower motors are all single phase motors.

#### 3.12.5.2 ELECTRICAL DATA – BLOWER MOTOR ONLY – WITHOUT ELECTRIC HEAT: (-)H2T

MODEL (-)H2T	VOLTAGE	PHASE	HERTZ	HP [W]	RPM	SPEEDS	MOTOR AMPS.	MINIMUM CIRCUIT AMPACITY	MAXIMUM OVERCURRENT PROTECTION
2417S	115	1	60	1/3 [249]	300-1100	4	2.7	4.0	15
3617S/3621M*/3621M				1/2 [373]	300-1100	4	3.4	5.0	15
3621S				1/3 [249]	300-1100	4	3.4	5.0	15
4821S				3/4 [559]	300-1100	4	3.4	5.0	15
4821S*/4824S				3/4 [559]	300-1100	4	6.5	9.0	15
4824M				3/4 [559]	300-1100	4	4.8	6.0	15
6021S*/6024S				3/4 [559]	300-1100	4	8.0	10.0	15
MODEL (-)H2T	VOLTAGE	PHASE	HERTZ	HP [W]	RPM	SPEEDS	MOTOR AMPS.	MINIMUM CIRCUIT AMPACITY	MAXIMUM OVERCURRENT PROTECTION
2417S	208/240	1 & 3	60	1/3 [249]	300-1100	4	1.8	3.0	15
3617S/3621M*/3621M				1/2 [373]	300-1100	4	2.4	3.0	15
3621S				1/3 [249]	300-1100	4	2.3	3.0	15
4821S*				3/4 [559]	300-1100	4	3.9	5.0	15
4821S				3/4 [559]	300-1100	4	3.7	5.0	15
4824S				3/4 [559]	300-1100	4	3.2	4.0	15
4824M				3/4 [559]	300-1100	4	3.0	4.0	15
6021S*				3/4 [559]	300-1100	4	5.6	7.0	15
6024S				3/4 [559]	300-1100	4	4.7	6.0	15
MODEL (-)H2T	VOLTAGE	PHASE	HERTZ	HP [W]	RPM	SPEEDS	MOTOR AMPS.	MINIMUM CIRCUIT AMPACITY	MAXIMUM OVERCURRENT PROTECTION
3617S	480	3	60	1/2 [373]	300-1100	4	1.3	2.0	15
3621S				1/3 [249]	300-1100	4	1.1	2.0	15
3621M*				1/2 [373]	300-1100	4	1.2	2.0	15
3621M				1/2 [373]	300-1100	4	1.1	2.0	15
4821S*/4821S				3/4 [559]	300-1100	4	1.5	2.0	15
4824S/4824M				3/4 [559]	300-1100	4	2.4	3.0	15
6021S*				3/4 [559]	300-1100	4	1.9	3.0	15
6024S				3/4 [559]	300-1100	4	3.7	5.0	15

"Units with "A" Coil"

### 3.12.5.3 ELECTRICAL DATA - BLOWER MOTOR ONLY - WITHOUT ELECTRIC HEAT: (-)H1A

MODEL (-)H1A	VOLTAGE	PHASE	HERTZ	HP [W]	RPM	SPEEDS	MOTOR AMPS.	MINIMUM CIRCUIT AMPACITY	MAXIMUM OVERCURRENT PROTECTION
2417S	115	1	60	1/3 [249]	300-1100	4	2.7	4.0	15
3617S				1/2 [373]	300-1100	4	3.4	5.0	15
3621S				1/3 [249]	300-1100	4	3.4	5.0	15
4821S				3/4 [559]	1075	2	8.4	11.0	15
6021S*/6024S				3/4 [559]	300-1100	4	8.0	10.0	15
MODEL (-)H1A	VOLTAGE	PHASE	HERTZ	HP [W]	RPM	SPEEDS	MOTOR AMPS.	MINIMUM CIRCUIT AMPACITY	MAXIMUM OVERCURRENT PROTECTION
2417S	208/240	1 & 3	60	1/3 [249]	300-1100	4	1.8	3.0	15
3617S				1/2 [373]	300-1100	4	2.4	3.0	15
3621S				1/3 [249]	300-1100	4	2.3	3.0	15
4821S				3/4 [559]	1075	2	5.2	7.0	15
6021S*				3/4 [559]	300-1100	4	5.6	7.0	15
6024S				3/4 [559]	300-1100	4	4.7	6.0	15

\*Units with "A" Coil

### 3.12.6 ELECTRICAL DATA – WITH ELECTRIC HEAT

#### 3.12.6.1 ELECTRICAL DATA – WITH ELECTRIC HEAT: (-)H1PY

Installation of the UL Listed original equipment manufacturer provided heater kits listed in the following table is recommended for all auxiliary heating requirements.

AIR HANDLER MODEL (-)H1PY	HEATER MODEL NO.	HEATER KW (208/240V)	PH/ HZ	NO. ELEMENTS - KW PER	TYPE SUPPLY CIRCUIT SINGLE CIRCUIT MULTIPLE CIRCUIT	HEATER AMPS	MOTOR AMPS	MINIMUM CIRCUIT AMPACITY	Maximum Overcurrent Protection
1817S 2417S (208/240V)	RXBH-172403J-B	2.25/3*0	1/60	1-3.0	SINGLE	10.8/125.	1.7	16/18	20/20
	RXBH-172403J-B	2.25/3.0	1/60	1-3.0	SINGLE	10.8/12.5	1.7	16/18	20/20
	RXBH-172405J-B	3.6/4.8	1/60	1-4.8	SINGLE	17.3/20.0	1.7	24/28	25/30
	RXBH-172407J-B	5.4/7.2	1/60	2-3.6	SINGLE	26.0/30.0	1.7	35/40	35/40
	RXBH-172410J-B	7.2/9.6	1/60	2-4.8	SINGLE	34.6/40.0	1.7	46/53	50/60
	RXBH-1724A13J-B	9.4/12.5	1/60	3-4.17	SINGLE	45.1/52.1	1.7	59/68	60/70
	RXBH-1724A13J-B	3.1/4.2	1/60	1-4.17	MULTIPLE CKT 1	15.0/17.4	1.7	21/24	25/25
		6.3/8.3	1/60	2-4.17	MULTIPLE CKT 2	30.1/34.7	0	38/44	40/45
	RXBH-1724A07C-B	5.4/7.2	3/60	3-2.4	SINGLE	15.0/17.3	1.7	21/24	25/25
	RXBH-1724A10C-B	7.2/9.6	3/60	3-3.2	SINGLE	20.0/23.1	1.7	28/31	30/35
RXBH-1724A13C-B	9.4/12.5	3/60	3-4.17	SINGLE	26.1/30.1	1.7	35/40	35/40	
3017S/3617S (208/240V)	RXBH-172403J-B	2.25/3.0	1/60	1-3.0	SINGLE	10.8/12.5	2.5	17/19	20/20
3017S 3617S 3621S (208/240V)	RXBH-172403J-B	2.25/3.0	1/60	1-3.0	SINGLE	10.8/12.5	2.5	17/19	20/20
	RXBH-172405J-B	3.6/4.8	1/60	1-4.8	SINGLE	17.3/20.0	2.5	25/29	25/30
	RXBH-172407J-B	5.4/7.2	1/60	2-3.6	SINGLE	26.0/30.0	2.5	36/41	40/45
	RXBH-172410J-B	7.2/9.6	1/60	2-4.8	SINGLE	34.6/40.0	2.5	47/54	50/60
	RXBH-1724A13J-B	9.4/12.5	1/60	3-4.17	SINGLE	45.1/52.1	2.5	60/69	60/70
	RXBH-1724A13J-B	3.1/4.2	1/60	1-4.17	MULTIPLE CKT 1	15.0/17.4	2.5	22/25	25/25
		6.3/8.3	1/60	2-4.17	MULTIPLE CKT 2	30.1/34.7	0	38/44	40/45
	RXBH-1724A15J-B	10.8/14.4	1/60	3-4.8	SINGLE	51.9/60.0	2.5	68/79	70/80
	RXBH-1724A15J-B	3.6/4.8	1/60	1-4.8	MULTIPLE CKT 1	17.3/20.0	2.5	25/29	25/30
		7.2/9.6	1/60	2-4.8	MULTIPLE CKT 2	34.6/40.0	0	44/50	45/50
	RXBH-1724A18J-B	12.8/17.0	1/60	3-5.68	SINGLE	61.6/70.8	2.5	81/92	90/100
	RXBH-1724A18J-B	4.3/5.7	1/60	1-5.68	MULTIPLE CKT 1	20.5/23.6	2.5	29/33	30/35
		8.5/11.3	1/60	2-5.68	MULTIPLE CKT 2	41.1/47.2	0	52/59	60/60
	RXBH-1724A07C-B	5.4/7.2	3/60	3-2.4	SINGLE	15.0/17.3	2.5	22/25	25/25
	RXBH-1724A10C-B	7.2/9.6	3/60	3-3.2	SINGLE	20.0/23.1	2.5	29/32	30/35
	RXBH-1724A13C-B	9.4/12.5	3/60	3-4.17	SINGLE	26.1/30.1	2.5	36/41	40/45
	RXBH-1724A15C-B	10.8/14.4	3/60	3-4.8	SINGLE	30.0/34.6	2.5	41/47	45/50
	RXBH-1724A18C-B	12.8/17.0	3/60	3-5.68	SINGLE	35.5/41.0	2.5	48/55	50/60

? Heater Kit Connection Type A=Breaker B=Terminal Block C=Pullout Disconnect

**3.12.6.1 ELECTRICAL DATA – WITH ELECTRIC HEAT: (-)H1PY - continued**

AIR HANDLER MODEL (-)H1PY	HEATER MODEL NO.	HEATER KW (208/240V)	PH/HZ	NO. ELEMENTS - KW PER	TYPE SUPPLY CIRCUIT SINGLE CIRCUIT MULTIPLE CIRCUIT	HEATER AMPS	MOTOR AMPS	MINIMUM CIRCUIT AMPACITY	MAXIMUM OVERCURRENT PROTECTION
4221S 4821S 4824S (208/240V)	RXBH-1724?05J-B	3.6/4.8	1/60	1-4.8	SINGLE	17.3/20.0	5.2	29/32	30/35
	RXBH-1724?07J-B	5.4/7.2	1/60	2-3.6	SINGLE	26.0/30.0	5.2	39/44	40/45
	RXBH-1724?10J-B	7.2/9.6	1/60	2-4.8	SINGLE	34.6/40.0	5.2	50/57	50/60
	RXBH-1724A15J-B	10.8/14.4	1/60	3-4.8	SINGLE	51.9/60.0	5.2	72/82	80/90
	RXBH-1724A15J-B	3.6/4.8	1/60	1-4.8	MULTIPLE CKT 1	17.3/20.0	5.2	29/32	30/35
		7.2/9.6	1/60	2-4.8	MULTIPLE CKT 2	34.6/40.0	0.0	44/50	45/50
	RXBH-1724A18J-B	12/8/17	1/60	3-5.68	SINGLE	61.6/70.8	5.2	84/95	90/100
	RXBH-1724A18J-B	4.3/5.7	1/60	1-5.68	MULTIPLE CKT 1	20.5/23.6	5.2	33/36	35/40
		8.5/11.3	1/60	1-5.68	MULTIPLECKT2	41.1/47.2	0.0	52/59	60/60
	RXBH-24A20J-B	14.4/19.2	1/60	4-4.8	SINGLE	69.2/80	5.2	93/107	100/110
	RXBH-24A20J-B	7.2/9.5	1/60	2-4.8	MULTIPLE CKT 1	34.6/40.0	5.2	50/57	50/60
		7.2/9.6	1/60	2-4.8	MULTIPLE CKT 2	34.6/40.0	0.0	44/50	45/50
	RXBH-24A25J-B	18.0/24.0	1/60	6-4.0	SINGLE	86.4/99.9	5.2	115/132	125/150
	RXBH-24A25J-B (4-ton only)	6.0/8.0	1/60	2-4.0	MULTIPLE CKT 1	28.8/33.3	5.2	43/49	45/50
		6.0/8.0	1/60	2-4.0	MULTIPLE CKT 2	28.8/33.3	0.0	36/42	40/45
		6.0/8.0	1/60	2-4.0	MULTIPLE CKT 3	28.8/33.3	0.0	36/42	40/45
	RXBH-1724A070-B	5.4/7.2	3/60	3-2.4	SINGLE	15.0/17.3	5.2	26/29	30/30
	RXBH-1724A10C-B	7.2/9.6	3/60	3-3.2	SINGLE	20.0/23.1	5.2	32/36	35/40
	RXBH-1724A15C-B	10.8/14.4	3/60	3-4.8	SINGLE	30.0/34.6	5.2	44/50	45/50
	RXBH-1724A180-B	12.8/17.0	3/60	3 - 5.68	SINGLE	35.6/41.0	5.2	51/58	60/60
	RXBH-24A20C-B	14.4/19.2	3/60	6-3.2	SINGLE	40.0/46.2	5.2	57/65	60/70
	RXBH-24A20C-B	7.2/9.6	3/60	3-3.2	MULTIPLE CKT 1	20.0/23.1	5.2	32/36	35/40
		7.2/9.6	3/60	3-3.2	MULTIPLE CKT 2	20.0/23.1	0.0	25/29	25/30
	RXBH-24A25C-B	18.0/24.0	3/60	6-4.0	SINGLE	50.0/57.8	5.2	69/79	70/80
	RXBH-24A25C-B (4-ton only)	9.0/12.0	3/60	3-4.0	MULTIPLE CKT 1	25.0/28.9	5.2	38/43	40/45
		9.0/12.0	3/60	3-4.0	MULTIPLE CKT 2	25.0/28.9	0.0	32/37	35/40

? Heater Kit Connection Type A = Breaker B = Terminal Block C = Pullout Disconnect

### 3.12.6.1 ELECTRICAL DATA – WITH ELECTRIC HEAT: (-)H1PY - continued

AIR HANDLER MODEL (-)H1PY	HEATER MODEL NO.	HEATER KW (208/240V)	PH/HZ	NO. ELEMENTS - KW PER	TYPE SUPPLY CIRCUIT SINGLE CIRCUIT MULTIPLE CIRCUIT	HEATER AMPS	MOTOR AMPS	MINIMUM CIRCUIT AMPACITY	MAXIMUM OVERCURRENT PROTECTION
6024S (208/240V)	RXBH-1724?05J-B	3.6/4.8	1/60	1-4.8	SINGLE	17.3/20.0	5.2	29/32	30/35
	RXBH-1724?07J-B	5.4/7.2	1/60	2-3.6	SINGLE	26.0/30.0	5.2	39/44	40/45
	RXBH-1724?10J-B	7.2/9.6	1/60	2-4.8	SINGLE	34.6/40.0	5.2	50/57	50/60
	RXBH-1724A15J-B	10.8/14.4	1/60	3-4.8	SINGLE	51.9/60.0	5.2	72/82	80/90
	RXBH-1724A15J-B	3.6/4.8	1/60	1-4.8	MULTIPLE CKT1	17.3/20.0	5.2	29/32	30/35
		7.2/9.6	1/60	2-4.8	MULTIPLE CKT 2	34.6/40.0	0	44/50	45/50
	RXBH-1724A18J-B	12.8/17.0	1/60	3/5/68	SINGLE	61.6/70.8	5.2	84/95	90/100
	RXBH-1724A18J-B	4.3/5.7	1/60	1/5/68	MULTIPLE CKT 1	20.5/23.6	5.2	33/36	35/40
		8.5/11.3	1/60	2/5/68	MULTIPLECKT2	41.1/47.2	0	52/59	60/60
	RXBH-24A20J-B	14.4/19.2	1/60	4-4.8	SINGLE	69.2/80	5.2	93/107	100/110
	RXBH-24A20J-B	7.2/9.6	1/60	2-4.8	MULTIPLE CKT 1	34.6/40.0	5.2	50/57	50/60
		7.2/9.6	1/60	2-4.8	MULTIPLE CKT 2	34.6/40.0	0	44/50	45/50
	RXBH-24A25J-B	18.0/24.0	1/60	6-4.0	SINGLE	86.4/99.9	5.2	115/132	125/150
	RXBH-24A25J-B	6.0/8.0	1/60	2-4.0	MULTIPLE CKT 1	28.8/33.3	5.2	43/49	45/50
		6.0/8.0	1/60	2-4.0	MULTIPLE CKT 2	28.8/33.3	0	36/42	40/45
		6.0/8.0	1/60	2-4.0	MULTIPLE CKT 3	28.8/33.3	0	36/42	40/45
RXBH-24A30J-B	21.6/28.8	1/60	6-4.8	SINGLE	103.8/120	5.2	137/157	150/175	
RXBH-24A30J-B	7.2/9.6	1/60	2-4.8	MULTIPLE CKT 1	34.6/40.0	5.2	50/57	50/60	
	7.2/9.6	1/60	2-4.8	MULTIPLE CKT 2	34.6/40.0	0	44/50	45/50	
	7.2/9.6	1/60	2-4.8	MULTIPLE CKT 3	34.6/40.0	0	44/50	45/50	
3617S/3621S (480V)	RXBH-17A07D	7.2	3/60	3-2.4	SINGLE	8.7	1.7	13	15
	RXBH-17A10D	9.6	3/60	3-3.2	SINGLE	11.6	1.7	17	20
	RXBH-17A15D	14.4	3/60	3-4.8	SINGLE	17.3	1.7	24	25
	RXBH-17A18D	17	3/60	3-5.68	SINGLE	20.4	1.7	28	30
4221S (480V)	RXBH-24A07D	7.2	3/60	3-2.4	SINGLE	8.7	1.9	14	15
	RXBH-24A10D	9.6	3/60	3-3.2	SINGLE	11.6	1.9	17	20
	RXBH-24A15D	14.4	3/60	3-4.8	SINGLE	17.3	1.9	24	25
	RXBH-24A18D	17	3/60	6-2.84	SINGLE	20.4	1.9	28	30
	RXBH-24A20D	19.2	3/60	6-3.2	SINGLE	23.2	1.9	32	35
4821S (480V)	RXBH-24A07D	7.2	3/60	3-2.4	SINGLE	8.7	2.2	14	15
	RXBH-24A10D	9.6	3/60	3-3.2	SINGLE	11.6	2.2	18	20
	RXBH-24A15D	14.4	3/60	3-4.8	SINGLE	17.3	2.2	25	25
	RXBH-24A18D	17	3/60	6-2.84	SINGLE	20.4	2.2	29	30
	RXBH-24A20D	19.2	3/60	6-3.2	SINGLE	23.2	2.2	32	35
	RXBH-24A25D	24	3/60	6-4.0	SINGLE	28.8	2.2	39	40

? Heater Kit Connection Type A=Breaker B=Terminal Block C=Pullout Disconnect

① D Voltage = 480 Volts.

\*Values only. No single point kit available.

**NOTES:**

- Electric heater BTUH - (heater watts + motor watts) × 3.412 (see air-flow table for motor watts.)
- Supply circuit protective devices may be fuses or HACR type circuit breakers.
- Motor load is included in single circuit or circuit 1 of multiple circuits.
- Heater loads are balanced on 3 phase models with 3 or 6 heating elements only.
- Electric heater kits are not permitted for use with 115 volt air-handlers (A voltage).
- J Voltage (208/240V) single phase air-handlers are designed to be used with single or three phase 208/240V electric heaters. To connect 3 phase power to the air handler terminal block, bring only two leads to terminal block, cap, insulate, and fully secure the third lead.
- Do not install 480V electric heaters in 208/240V air-handlers.
- Do not install 208/240V electric heaters in 480V air-handlers.
- If the heater kit is listed under both single and multiple circuits, the heater kit is shipped from factory as multiple circuits. For single phase applications, Jumper bar kit RXBJ-A21 and RXBJ-A31 can be used to convert multiple circuits to a single supply circuit. See Section 6.2 for details.

### 3.12.6.2 ELECTRICAL DATA – WITH ELECTRIC HEAT: (-)H2T

Installation of the UL Listed original equipment manufacturer provided heater kits listed in the following table is recommended for all auxiliary heating requirements.

AIR HANDLER MODEL (-)H2TY	HEATER MODEL NUMBER	HEATER KW (208/240V)	PH/HZ	NO. ELEMENTS - KW PER	TYPE SUPPLY CIRCUIT SINGLE CIRCUIT MULTIPLE CIRCUIT	HEATER AMPS	MOTOR AMPS	MINIMUM CIRCUIT AMPACITY	MAXIMUM OVERCURRENT PROTECTION
2417STANNJ	RXBH-17?03J-B	2.25/3.0	1/60	1-3.0	SINGLE	10.8/12.5	1.8	16/18	20/20
	RXBH-1724?03J-B	2.25/3.0	1/60	1-3.0	SINGLE	10.8/12.5	1.8	16/18	20/20
	RXBH-1724?05J-B	3.6/4.8	1/60	1-4.8	SINGLE	17.3/20.0	1.8	24/28	30/30
	RXBH-1724?07J-B	5.4/7.2	1/60	2-3.6	SINGLE	26.0/30.0	1.8	35/40	40/40
	RXBH-1724?10J-B	7.2/9.6	1/60	2-4.8	SINGLE	34.6/40.0	1.8	46/53	50/60
	RXBH-1724A13J-B	9.4/12.5	1/60	3-4.17	SINGLE	45.1/52.1	1.8	59/68	60/70
	RXBH-1724A13J-B	3.1/4.2	1/60	1-4.17	MULTIPLE CKT 1	15.0/17.4	1.8	21/24	30/30
		6.3/8.3	1/60	2-4.17	MULTIPLE CKT 2	30.1/34.7	0.0	38/44	40/50
RXBH-1724A07C-B	5.4/7.2	3/60	3-2.4	SINGLE	15.0/17.3	1.8	21/24	30/30	
RXBH-1724A10C-B	7.2/9.6	3/60	3-3.2	SINGLE	20.0/23.1	1.8	28/32	30/40	
3617STANNJ	RXBH-17?03J-B	2.25/3.0	1/60	1-3.0	SINGLE	10.8/12.5	2.4	17/19	20/20
	RXBH-1724?03J-B	2.25/3.0	1/60	1-3.0	SINGLE	10.8/12.5	2.4	17/19	20/20
	RXBH-1724?05J-B	3.6/4.8	1/60	1-4.8	SINGLE	17.3/20.0	2.4	25/28	30/30
	RXBH-1724?07J-B	5.4/7.2	1/60	2-3.6	SINGLE	26.0/30.0	2.4	36/41	40/50
	RXBH-1724?10J-B	7.2/9.6	1/60	2-4.8	SINGLE	34.6/40.0	2.4	47/53	50/60
	RXBH-1724A13J-B	9.4/12.5	1/60	3-4.17	SINGLE	45.1/52.1	2.4	60/69	60/70
	RXBH-1724A13J-B	3.1/4.2	1/60	1-4.17	MULTIPLE CKT 1	15.0/17.4	2.4	22/25	30/30
		6.3/8.3	1/60	2-4.17	MULTIPLE CKT 2	30.1/34.7	0.0	38/44	40/50
	RXBH-1724A15J-B	10.8/14.4	1/60	3-4.18	SINGLE	51.9/60.0	2.4	68/78	70/80
	RXBH-1724A15J-B	3.6/4.8	1/60	1-4.18	MULTIPLE CKT 1	17.3/20.0	2.4	25/28	30/30
		7.2/9.6	1/60	2-4.18	MULTIPLE CKT 2	34.6/40.0	0.0	44/50	50/50
	RXBH-1724A18J-B	12.8/17.0	1/60	4-4.26	SINGLE	61.6/70.8	2.4	80/92	90/100
	RXBH-1724A18J-B	4.3/5.7	1/60	1-5.68	MULTIPLE CKT 1	20.5/23.6	2.4	29/33	30/40
		8.5/11.3	1/60	2-5.68	MULTIPLE CKT 2	41.1/47.2	0.0	52/59	60/60
RXBH-1724A07C-B	5.4/7.2	3/60	3-2.4	SINGLE	15.0/17.3	2.4	22/25	30/30	
RXBH-1724A10C-B	7.2/9.6	3/60	3-3.2	SINGLE	20.0/23.1	2.4	28/32	30/40	
3621STANNJ	RXBH-17?03J-B	2.25/3.0	1/60	1-3.0	SINGLE	10.8/12.5	2.3	17/19	20/20
	RXBH-1724?03J-B	2.25/3.0	1/60	1-3.0	SINGLE	10.8/12.5	2.3	17/19	20/20
	RXBH-1724?05J-B	3.6/4.8	1/60	1-4.8	SINGLE	17.3/20.0	2.3	25/28	30/30
	RXBH-1724?07J-B	5.4/7.2	1/60	2-3.6	SINGLE	26.0/30.0	2.3	36/41	40/50
	RXBH-1724?10J-B	7.2/9.6	1/60	2-4.8	SINGLE	34.6/40.0	2.3	47/53	50/60
	RXBH-1724A13J-B	9.4/12.5	1/60	3-4.17	SINGLE	45.1/52.1	2.3	60/68	60/70
	RXBH-1724A13J-B	3.1/4.2	1/60	1-4.17	MULTIPLE CKT 1	15.0/17.4	2.3	22/25	30/30
		6.3/8.3	1/60	2-4.17	MULTIPLE CKT 2	30.1/34.7	0.0	38/44	40/50
	RXBH-1724A15J-B	10.8/14.4	1/60	3-4.18	SINGLE	51.9/60.0	2.3	68/78	70/80
	RXBH-1724A15J-B	3.6/4.8	1/60	1-4.18	MULTIPLE CKT 1	17.3/20.0	2.3	25/28	30/30
		7.2/9.6	1/60	2-4.18	MULTIPLE CKT 2	34.6/40.0	0.0	44/50	50/50
	RXBH-1724A18J-B	12.8/17.0	1/60	4-4.26	SINGLE	61.6/70.8	2.3	80/92	90/100
	RXBH-1724A18J-B	4.3/5.7	1/60	1-5.68	MULTIPLE CKT 1	20.5/23.6	2.3	29/33	30/40
		8.5/11.3	1/60	2-5.68	MULTIPLE CKT 2	41.1/47.2	0.0	52/59	60/60
RXBH-1724A07C-B	5.4/7.2	3/60	3-2.4	SINGLE	15.0/17.3	2.3	22/25	30/30	
RXBH-1724A10C-B	7.2/9.6	3/60	3-3.2	SINGLE	20.0/23.1	2.3	28/32	30/40	
3621MTANAJ 3621MTANNJ	RXBH-17?03J-B	2.25/3.0	1/60	1-3.0	SINGLE	10.8/12.5	2.4	17/19	20/20
	RXBH-1724?03J-B	2.25/3.0	1/60	1-3.0	SINGLE	10.8/12.5	2.4	17/19	20/20
	RXBH-1724?05J-B	3.6/4.8	1/60	1-4.8	SINGLE	17.3/20.0	2.4	25/28	30/30
	RXBH-1724?07J-B	5.4/7.2	1/60	2-3.6	SINGLE	26.0/30.0	2.4	36/41	40/50
	RXBH-1724?10J-B	7.2/9.6	1/60	2-4.8	SINGLE	34.6/40.0	2.4	47/53	50/60
	RXBH-1724A13J-B	9.4/12.5	1/60	3-4.17	SINGLE	45.1/52.1	2.4	60/69	60/70
	RXBH-1724A13J-B	3.1/4.2	1/60	1-4.17	MULTIPLE CKT 1	15.0/17.4	2.4	22/25	30/30
		6.3/8.3	1/60	2-4.17	MULTIPLE CKT 2	30.1/34.7	0.0	38/44	40/50
	RXBH-1724A15J-B	10.8/14.4	1/60	3-4.18	SINGLE	51.9/60.0	2.4	68/78	70/80
	RXBH-1724A15J-B	3.6/4.8	1/60	1-4.18	MULTIPLE CKT 1	17.3/20.0	2.4	25/28	30/30
		7.2/9.6	1/60	2-4.18	MULTIPLE CKT 2	34.6/40.0	0.0	44/50	50/50
	RXBH-1724A18J-B	12.8/17.0	1/60	4-4.26	SINGLE	61.6/70.8	2.4	80/92	90/100
	RXBH-1724A18J-B	4.3/5.7	1/60	1-5.68	MULTIPLE CKT 1	20.5/23.6	2.4	29/33	30/40
		8.5/11.3	1/60	2-5.68	MULTIPLE CKT 2	41.1/47.2	0.0	52/59	60/60
RXBH-1724A07C-B	5.4/7.2	3/60	3-2.4	SINGLE	15.0/17.3	2.4	22/25	30/30	
RXBH-1724A10C-B	7.2/9.6	3/60	3-3.2	SINGLE	20.0/23.1	2.4	28/32	30/40	

• ? Heater Kit Connection Type A=Breaker B=Terminal Block C=Pullout Disconnect

**3.12.6.2 ELECTRICAL DATA – WITH ELECTRIC HEAT: (-)H2T - continued**

AIR HANDLER MODEL (-)H2TY	HEATER MODEL NUMBER	HEATER KW (208/240V)	PH/HZ	NO. ELEMENTS - KW PER	TYPE SUPPLY CIRCUIT SINGLE CIRCUIT MULTIPLE CIRCUIT	HEATER AMPS	MOTOR AMPS	MINIMUM CIRCUIT AMPACITY	MAXIMUM OVERCURRENT PROTECTION
4821STANNJ	RXBH-1724705J-B	3.6/4.8	1/60	1-4.8	SINGLE	17.3/20.0	3.7	27/30	30/30
	RXBH-1724707J-B	5.4/7.2	1/60	2-3.6	SINGLE	26.0/30.0	3.7	38/43	40/50
	RXBH-1724710J-B	7.2/9.6	1/60	2-4.8	SINGLE	34.6/40.0	3.7	48/55	50/60
	RXBH-1724A15J-B	10.8/14.4	1/60	3-4.18	SINGLE	51.9/60.0	3.7	70/80	70/80
	RXBH-1724A15J-B	3.6/4.8	1/60	1-4.18	MULTIPLE CKT 1	17.3/20.0	3.7	27/30	30/30
		7.2/9.6	1/60	2-4.18	MULTIPLE CKT 2	34.6/40.0	0.0	44/50	50/50
	RXBH-1724A18J-B	12.8/17.0	1/60	4-4.26	SINGLE	61.6/70.8	3.7	82/94	90/100
	RXBH-1724A18J-B	4.3/5.7	1/60	1-5.68	MULTIPLE CKT 1	20.5/23.6	3.7	31/35	40/40
		8.5/11.3	1/60	2-5.68	MULTIPLE CKT 2	41.1/47.2	0.0	52/59	60/60
	RXBH-24A20J-B	14.4/19.2	1/60	4-4.8	SINGLE	69.2/80	3.7	92/105	100/110
	RXBH-24A20J-B	7.2/9.6	1/60	2-4.8	MULTI CKT 1	34.6/40.0	3.7	48/55	50/60
		7.2/9.6	1/60	2-4.8	MULTI CKT 2	34.6/40.0	0.0	44/50	50/50
	RXBH-24A25J-B	18.0/24.0	1/60	6-4.0	SINGLE	86.4/99.9	3.7	113/130	120/150
	RXBH-24A25J-B	6.0/8.0	1/60	2-4.0	MULTI CKT 1	28.8/33.3	3.7	41/47	50/50
		6.0/8.0	1/60	2-4.0	MULTI CKT 2	28.8/33.3	0.0	36/42	40/50
		6.0/8.0	1/60	2-4.0	MULTI CKT 3	28.8/33.3	0.0	36/42	40/50
	RXBH-1724A07C-B	5.4/7.2	3/60	3-2.4	SINGLE	15.0/17.3	3.7	24/27	30/30
	RXBH-1724A10C-B	7.2/9.6	3/60	3-3.2	SINGLE	20.0/23.1	3.7	30/34	30/40
	RXBH-1724A15C-B	10.8/14.4	3/60	3-4.8	SINGLE	30.0/34.6	3.7	43/48	50/50
	RXBH-1724A18C-B	12.8/17.0	3/60	3-5.68	SINGLE	35.6/41.0	3.7	50/56	50/60
	RXBH-24A20C-B	14.4/19.2	3/60	6-3.2	SINGLE	40.0/46.2	3.7	55/63	60/70
	RXBH-24A20C-B	7.2/9.6	3/60	3-3.2	MULTIPLE CKT 1	20.0-23.1	3.7	30/34	30/35
		7.2/9.6	3/60	3-3.2	MULTIPLE CKT2	20.0/23.1	0.0	25/29	25/30
	RXBH-24A25C-B	18.0/24.0	3/60	6-4.0	SINGLE	50.0/57.8	3.7	68/77	70/80
RXBH-24A25C-B	9.0/12.0	3/60	3-4.0	MULTIPLE CKT 1	25.0/28.9	3.7	36/41	40/45	
	9.0/12.0	3/60	3-4.0	MULTIPLE CKT2	25.0/28.9	0.0	32/37	35/40	
4821STANAJ	RXBH-1724705J-B	3.6/4.8	1/60	1-4.8	SINGLE	17.3/20.0	3.9	27/30	30/30
	RXBH-1724707J-B	5.4/7.2	1/60	2-3.6	SINGLE	26.0/30.0	3.9	38/43	40/50
	RXBH-1724710J-B	7.2/9.6	1/60	2-4.8	SINGLE	34.6/40.0	3.9	48/55	50/60
	RXBH-1724A15J-B	10.8/14.4	1/60	3-4.18	SINGLE	51.9/60.0	3.9	70/80	70/80
	RXBH-1724A15J-B	3.6/4.8	1/60	1-4.18	MULTIPLE CKT 1	17.3/20.0	3.9	27/30	30/30
		7.2/9.6	1/60	2-4.18	MULTIPLE CKT 2	34.6/40.0	0.0	44/50	50/50
	RXBH-1724A18J-B	12.8/17.0	1/60	4-4.26	SINGLE	61.6/70.8	3.9	82/94	90/100
	RXBH-1724A18J-B	4.3/5.7	1/60	1-5.68	MULTIPLE CKT 1	20.5/23.6	3.9	31/35	40/40
		8.5/11.3	1/60	2-5.68	MULTIPLE CKT 2	41.1/47.2	0.0	52/59	60/60
	RXBH-24A20J-B	14.4/19.2	1/60	4-4.8	SINGLE	69.2/80	3.9	92/105	100/110
	RXBH-24A20J-B	7.2/9.6	1/60	2-4.8	MULTI CKT 1	34.6/40.0	3.9	49/55	50/60
		7.2/9.6	1/60	2-4.8	MULTI CKT 2	34.6/40.0	0.0	44/50	50/50
	RXBH-24A25J-B	18.0/24.0	1/60	6-4.0	SINGLE	86.4/99.9	3.9	113/130	120/150
	RXBH-24A25J-B	6.0/8.0	1/60	2-4.0	MULTI CKT 1	28.8/33.3	3.9	41/47	50/50
		6.0/8.0	1/60	2-4.0	MULTI CKT 2	28.8/33.3	0.0	36/42	40/50
		6.0/8.0	1/60	2-4.0	MULTI CKT 3	28.8/33.3	0.0	36/42	40/50
	RXBH-1724A07C-B	5.4/7.2	3/60	3-2.4	SINGLE	15.0/17.3	3.9	24/27	30/30
	RXBH-1724A10C-B	7.2/9.6	3/60	3-3.2	SINGLE	20.0/23.1	3.9	30/34	30/40
	RXBH-1724A15C-B	10.8/14.4	3/60	3-4.8	SINGLE	30.0/34.6	3.9	43/49	50/50
	RXBH-1724A18C-B	12.8/17.0	3/60	3-5.68	SINGLE	35.6/41.0	3.9	50/57	50/60
	RXBH-24A20C-B	14.4/19.2	3/60	6-3.2	SINGLE	40.0/46.2	3.9	55/63	60/70
	RXBH-24A20C-B	7.2/9.6	3/60	3-3.2	MULTIPLE CKT 1	20.0-23.1	3.9	30/34	30/35
		7.2/9.6	3/60	3-3.2	MULTIPLE CKT2	20.0/23.1	0.0	25/30	25/30
	RXBH-24A25C-B	18.0/24.0	3/60	6-4.0	SINGLE	50.0/57.8	3.9	68/78	70/80
RXBH-24A25C-B	9.0/12.0	3/60	3-4.0	MULTIPLE CKT 1	25.0/28.9	3.9	37/41	40/45	
	9.0/12.0	3/60	3-4.0	MULTIPLE CKT2	25.0/28.9	0.0	32/37	35/40	
4824STANNJ	RXBH-1724705J-B	3.6/4.8	1/60	1-4.8	SINGLE	17.3/20.0	3.2	26/29	30/30
	RXBH-1724707J-B	5.4/7.2	1/60	2-3.6	SINGLE	26.0/30.0	3.2	37/42	40/45
	RXBH-1724710J-B	7.2/9.6	1/60	2-4.8	SINGLE	34.6/40.0	3.2	48/54	50/60
	RXBH-1724A15J-B	10.8/14.4	1/60	3-4.18	SINGLE	51.9/60.0	3.2	69/79	70/80
	RXBH-1724A15J-B	3.6/4.8	1/60	1-4.18	MULTIPLE CKT 1	17.3/20.0	3.2	26/29	30/35
		7.2/9.6	1/60	2-4.18	MULTIPLE CKT 2	34.6/40.0	0.0	44/50	50/50
	RXBH-1724A18J-B	12.8/17.0	1/60	4-4.26	SINGLE	61.6/70.8	3.2	81/93	90/100
	RXBH-1724A18J-B	4.3/5.7	1/60	1-5.68	MULTIPLE CKT 1	20.5/23.6	3.2	30/34	30/35
		8.5/11.3	1/60	2-5.68	MULTIPLE CKT 2	41.1/47.2	0.0	52/59	60/60
	RXBH-24A20J-B	14.4/19.2	1/60	4-4.8	SINGLE	69.2/80.0	3.2	91/104	100/110
	RXBH-24A20J-B	7.2/9.6	1/60	2-4.8	MULTIPLE CKT 1	34.6/40.0	3.2	48/54	50/60
		7.2/9.6	1/60	2-4.8	MULTIPLE CKT 2	34.6/40.0	0.0	44/50	50/50
	RXBH-24A25J-B	18.0/24.0	1/60	6-4.0	SINGLE	86.4/99.9	3.2	112/129	120/130
	RXBH-24A25J-B	6.0/8.0	1/60	2-4.0	MULTIPLE CKT 1	28.8/33.3	3.2	42/48	50/50
		6.0/8.0	1/60	2-4.0	MULTIPLE CKT 2	28.8/33.3	0.0	36/42	40/50
		6.0/8.0	1/60	2-4.0	MULTIPLE CKT 3	28.8/33.3	0.0	36/42	40/50
	RXBH-24A30J-B	20.7/27.6	1/60	6-4.8	SINGLE	99.5/115.0	3.2	129/148	130/150
	RXBH-1724A07C-B	5.4/7.2	3/60	3-2.4	SINGLE	15.0/17.3	3.2	23/26	25/30
	RXBH-1724A10C-B	7.2/9.6	3/60	3-3.2	SINGLE	20.0/23.1	3.2	29/33	30/35
	RXBH-1724A15C-B	10.8/14.4	3/60	3-4.8	SINGLE	30.0/34.6	3.2	42/48	45/50
	RXBH-1724A18C-B	12.8/17.0	3/60	3-5.68	SINGLE	35.6/41.0	3.2	49/56	50/60
	RXBH-24A20C-B	14.4/19.2	3/60	6-3.2	SINGLE	40.0/46.2	3.2	54/62	60/70
	RXBH-24A20C-B	7.2/9.6	3/60	3-3.2	MULTIPLE CKT 1	20.0-23.1	3.2	29/33	30/35
		7.2/9.6	3/60	3-3.2	MULTIPLE CKT2	20.0/23.1	0.0	25/29	30/30
RXBH-24A25C-B	18.0/24.0	3/60	6-4.0	SINGLE	50.0/57.8	3.2	67/77	70/80	
RXBH-24A25C-B	9.0/12.0	3/60	3-4.0	MULTIPLE CKT 1	25.0/28.9	3.2	36/41	40/45	
	9.0/12.0	3/60	3-4.0	MULTIPLE CKT2	25.0/28.9	0.0	32/37	40/40	

• ? Heater Kit Connection Type A=Breaker B=Terminal Block C=Pullout Disconnect

**3.12.6.2 ELECTRICAL DATA – WITH ELECTRIC HEAT: (-)H2T - continued**

AIR HANDLER MODEL (-)H2TY	HEATER MODEL NUMBER	HEATER KW (208/240V)	PH/HZ	NO. ELEMENTS - KW PER	TYPE SUPPLY CIRCUIT SINGLE CIRCUIT MULTIPLE CIRCUIT	HEATER AMPS	MOTOR AMPS	MINIMUM CIRCUIT AMPACITY	MAXIMUM OVERCURRENT PROTECTION
4824MTANNJ	RXBH-1724(A/B/C)05J/-B	3.6/4.8	1/60	1-4.8	SINGLE	17.3/20.0	3.0	26/29	30/30
	RXBH-1724(A/B/C)07J/-B	5.4/7.2	1/60	2-3.6	SINGLE	26.0/30.0	3.0	37/42	40/45
	RXBH-1724(A/B/C)10J/-B	7.2/9.6	1/60	2-4.8	SINGLE	34.6/40.0	3.0	47/54	50/60
	RXBH-1724A15J/-B	10.8/14.4	1/60	3-4.8	SINGLE	51.9/60.0	3.0	69/79	70/80
	RXBH-1724A15J/-B	3.6/4.8	1/60	1-4.8	MULTIPLE CKT 1	17.3/20.0	3.0	26/29	30/35
		7.2/9.6	1/60	2-4.8	MULTIPLE CKT 2	34.6/40.0	0.0	44/50	50/50
	RXBH-1724A18J/-B	12.8/17.0	1/60	3-5.68	SINGLE	61.6/70.8	3.0	81/93	90/100
	RXBH-1724A18J/-B	4.3/5.7	1/60	1-5.68	MULTIPLE CKT 1	20.5/23.6	3.0	30/34	30/35
		8.5/11.3	1/60	2-5.68	MULTIPLE CKT 2	41.1/47.2	0.0	52/59	60/60
	RXBH-24A20J/-B	14.4/19.2	1/60	4-4.8	SINGLE	69.2/80.0	3.0	91/104	100/110
	RXBH-24A20J/-B	7.2/9.6	1/60	2-4.8	MULTIPLE CKT 1	34.6/40.0	3.0	47/54	50/60
		7.2/9.6	1/60	2-4.8	MULTIPLE CKT 2	34.6/40.0	0.0	44/50	50/50
	RXBH-24A25J/-B	18.0/24.0	1/60	6-4.0	SINGLE	86.4/99.9	3.0	112/129	120/130
	RXBH-24A25J/-B	6.0/8.0	1/60	2-4.0	MULTIPLE CKT 1	28.8/33.3	3.0	40/46	45/50
		6.0/8.0	1/60	2-4.0	MULTIPLE CKT 2	28.8/33.3	0.0	36/42	40/50
		6.0/8.0	1/60	2-4.0	MULTIPLE	28.8/33.3	0.0	36/42	40/50
	RXBH-24A30J/-B	20.7/26.2	1/60	6-4.36	SINGLE	99.5/115.0	3.0	129/148	130/150
	RXBH-1724A07C/-B	5.4/7.2	3/60	3-2.4	SINGLE	15.0/17.3	3.0	23/26	25/30
	RXBH-1724A10C/-B	7.2/9.6	3/60	3-3.2	SINGLE	20.0/23.1	3.0	29/33	30/35
	RXBH-1724A15C/-B	10.8/14.4	3/60	3-4.8	SINGLE	30.0/34.6	3.0	42/47	45/50
	RXBH-1724A18C/-B	12.8/17.0	3/60	3-5.68	SINGLE	35.6/41.0	3.0	49/55	50/60
	RXBH-24A20C/-B	14.4/19.2	3/60	6-3.2	SINGLE	40.0/46.2	3.0	54/62	60/70
	RXBH-24A20C/-B	7.2/9.6	3/60	3-3.2	MULTIPLE CKT 1	20.0/23.1	3.0	29/33	30/35
		7.2/9.6	3/60	3-3.2	MULTIPLE CKT 2	20.0/23.1	0.0	25/29	30/30
	RXBH-24A25C/-B	18.0/24.0	3/60	6-4.0	SINGLE	50.0/57.8	3.0	67/76	70/80
	RXBH-24A25C/-B	9.0/12.0	3/60	3-4.0	MULTIPLE CKT 1	25.0/28.9	3.0	35/40	40/45
		9.0/12.0	3/60	3-4.0	MULTIPLE CKT 2	25.0/28.9	0.0	32/37	40/40
	6021STANAJ	RXBH-1724?05J-B	3.6/4.8	1/60	1-4.8	SINGLE	17.3/20.0	5.6	29/32
RXBH-1724?07J-B		5.4/7.2	1/60	2-3.6	SINGLE	26.0/30.0	5.6	40/45	40/45
RXBH-1724?10J-B		7.2/9.6	1/60	2-4.8	SINGLE	34.6/40.0	5.6	51/57	60/60
RXBH-1724A15J-B		10.8/14.4	1/60	3-4.8	SINGLE	51.9/60.0	5.6	72/82	80/90
RXBH-1724A15J-B		3.6/4.8	1/60	1-4.8	MULTIPLE CKT 1	17.3/20.0	5.6	29/32	30/35
RXBH-1724A15J-B		7.2/9.6	1/60	2-4.8	MULTIPLE CKT 2	34.6/40.0	0	50/56	50/60
		12.8/17.0	1/60	4-4.26	SINGLE	61.6/70.8	5.6	83/95	90/100
RXBH-1724A18J-B		4.3/5.7	1/60	1-5.68	MULTIPLE CKT 1	20.5/23.6	5.6	33/37	35/40
RXBH-1724A18J-B		8.5/11.3	1/60	2-5.68	MULTIPLE CKT 2	41.1/47.2	0	52/59	60/60
		14.4/19.2	1/60	4-4.8	SINGLE	69.2/80.0	5.6	94/107	100/110
RXBH-24A20J-B		7.2/9.6	1/60	2-4.8	MULTIPLE CKT 1	34.6/40.0	5.6	51/57	60/60
RXBH-24A20J-B		7.2/9.6	1/60	2-4.8	MULTIPLE CKT 2	34.6/40.0	0	44/50	50/50
		18.0/24.0	1/60	6-4.0	SINGLE	86.4/99.9	5.6	115/132	120/140
RXBH-24A25J-B		6.0/8.0	1/60	2-4.0	MULTIPLE CKT 1	28.8/33.3	5.6	43/49	50/50
		6.0/8.0	1/60	2-4.0	MULTIPLE CKT 2	28.8/33.3	0	36/42	40/50
		6.0/8.0	1/60	2-4.0	MULTIPLE CKT 3	28.8/33.3	0	36/42	40/50
		20.7/27.6	1/60	6-4.8	SINGLE	99.5/115.0	5.6	132/151	140/160
RXBH-24A30J-B		6.9/9.2	1/60	2-4.8	MULTIPLE CKT 1	33.2/38.3	5.6	49/55	50/60
		6.9/9.2	1/60	2-4.8	MULTIPLE CKT 2	33.2/38.3	0	42/48	50/50
		6.9/9.2	1/60	2-4.8	MULTIPLE CKT 3	33.2/38.3	0	42/48	50/50
RXBH-1724A07C-B		5.4/7.2	3/60	3-2.4	SINGLE	15.0/17.3	5.6	26/29	30/30
RXBH-1724A10C-B		7.2/9.6	3/60	3-3.2	SINGLE	20.0/23.1	5.6	32/36	40/40
RXBH-1724A15C-B		10.8/14.4	3/60	3-4.8	SINGLE	30.0/34.6	5.6	45/51	50/60
RXBH-1724A18C-B		12.8/17.0	3/60	3-5.68	SINGLE	35.6/41.0	5.6	52/59	60/60
RXBH-24A20C-B		14.4/19.2	3/60	6-3.2	SINGLE	40.0/46.2	5.6	57/65	60/70
RXBH-24A20C-B		7.2/9.6	3/60	3-3.2	MULTIPLE CKT 1	20.0-23.1	5.6	32/36	35/40
		7.2/9.6	3/60	3-3.2	MULTIPLE CKT2	20.0/23.1	0	25/29	30/30
RXBH-24A25C-B		18.0/24.0	3/60	6-4.0	SINGLE	50.0/57.8	5.6	70/73	70/80
RXBH-24A25C-B		9.0/12.0	3/60	3-4.0	MULTIPLE CKT 1	25.0/28.9	5.6	39/44	40/45
		9.0/12.0	3/60	3-4.0	MULTIPLE CKT2	25.0/28.9	0	31/37	35/40
		20.7/27.6	3/60	6-4.8	SINGLE	57.5/66.4	5.6	79/90	80/90
RXBH-24A30C-B		10.3/13.8	3/60	3-4.8	MULTIPLE CKT 1	28.8/33.2	5.6	43/49	50/50
		10.3/13.8	3/60	3-4.8	MULTIPLE CKT 2	28.8/33.2	0	36/42	40/50

• ? Heater Kit Connection Type A=Breaker B=Terminal Block C=Pullout Disconnect

### 3.12.6.2 ELECTRICAL DATA – WITH ELECTRIC HEAT: (-)H2T - continued

6024STANNJ	RXBH-1724?05J-B	3.6/4.8	1/60	1-4.8	SINGLE	17.3/20.0	4.7	28/31	30/35
	RXBH-1724?07J-B	5.4/7.2	1/60	2-3.6	SINGLE	26.0/30.0	4.7	39/44	40/45
	RXBH-1724?10J-B	7.2/9.6	1/60	2-4.8	SINGLE	34.6/40.0	4.7	50/56	50/60
	RXBH-1724A15J-B	10.8/14.4	1/60	3-4.18	SINGLE	51.9/60.0	4.7	71/81	80/90
	RXBH-1724A15J-B	3.6/4.8	1/60	1-4.18	MULTIPLE CKT 1	17.3/20.0	4.7	28/31	30/35
		7.2/9.6	1/60	2-4.18	MULTIPLE CKT 2	34.6/40.0	0	50/56	50/60
	RXBH-1724A18J-B	12.8/17.0	1/60	4-4.26	SINGLE	61.6/70.8	4.7	83/95	90/100
	RXBH-1724A18J-B	4.3/5.7	1/60	1-5.68	MULTIPLE CKT 1	20.5/23.6	4.7	32/36	35/40
		8.5/11.3	1/60	2-5.68	MULTIPLE CKT 2	41.1/47.2	0	52/59	60/60
	RXBH-24A20J-B	14.4/19.2	1/60	4-4.8	SINGLE	69.2/80.0	4.7	93/106	100/110
	RXBH-24A20J-B	7.2/9.6	1/60	2-4.8	MULTIPLE CKT 1	34.6/40.0	4.7	50/56	50/60
		7.2/9.6	1/60	2-4.8	MULTIPLE CKT 2	34.6/40.0	0	44/50	50/50
	RXBH-24A25J-B	18.0/24.0	1/60	6-4.0	SINGLE	86.4/99.9	4.7	114/131	120/140
	RXBH-24A25J-B	6.0/8.0	1/60	2-4.0	MULTIPLE CKT 1	28.8/33.3	4.7	42/48	50/50
		6.0/8.0	1/60	2-4.0	MULTIPLE CKT 2	28.8/33.3	0	36/42	40/50
		6.0/8.0	1/60	2-4.0	MULTIPLE CKT 3	28.8/33.3	0	36/42	40/50
	RXBH-24A30J-B	20.7/27.6	1/60	6-4.8	SINGLE	103.8/120.0	4.7	135/156	140/160
	RXBH-24A30J-B	6.9/9.2	1/60	2-4.8	MULTIPLE CKT 1	34.6/40.0	4.7	50/56	50/60
		6.9/9.2	1/60	2-4.8	MULTIPLE CKT 2	34.6/40.0	0	44/50	50/50
		6.9/9.2	1/60	2-4.8	MULTIPLE CKT 3	34.6/40.0	0	44/50	50/50
	RXBH-1724A07C-B	5.4/7.2	3/60	3-2.4	SINGLE	15.0/17.3	4.7	25/28	30/30
	RXBH-1724A10C-B	7.2/9.6	3/60	3-3.2	SINGLE	20.0/23.1	4.7	31/35	40/40
	RXBH-1724A15C-B	10.8/14.4	3/60	3-4.8	SINGLE	30.0/34.6	4.7	44/50	50/50
	RXBH-1724A18C-B	12.8/17.0	3/60	3-5.68	SINGLE	35.6/41.0	4.7	51/58	60/60
	RXBH-24A20C-B	14.4/19.2	3/60	6-3.2	SINGLE	40.0/46.2	4.7	56/64	60/70
	RXBH-24A20C-B	7.2/9.6	3/60	3-3.2	MULTIPLE CKT 1	20.0/23.1	4.7	31/35	40/40
		7.2/9.6	3/60	3-3.2	MULTIPLE CKT2	20.0/23.1	0	25/29	30/30
	RXBH-24A25C-B	18.0/24.0	3/60	6-4.0	SINGLE	50.0/57.8	4.7	69/79	70/80
	RXBH-24A25C-B	9.0/12.0	3/60	3-4.0	MULTIPLE CKT 1	25.0/28.9	4.7	38/42	40/50
		9.0/12.0	3/60	3-4.0	MULTIPLE CKT2	25.0/28.9	0	32/37	40/40
	RXBH-24A30C-B	20.7/27.6	3/60	6-4.8	SINGLE	57.5/66.4	4.7	78/89	80/90
	RXBH-24A30C-B	10.3/13.8	3/60	3-4.8	MULTIPLE CKT 1	28.8/33.2	4.7	42/48	50/50
	10.3/13.8	3/60	3-4.8	MULTIPLE CKT 2	28.8/33.2	0	36/42	40/50	
3617STANNND	RXBH-17A07D	7.2	3/60	3-2.4	SINGLE	8.7	0.7	12	15
	RXBH-17A10D	9.6	3/60	3-3.2	SINGLE	11.6	0.7	16	20
	RXBH-17A15D	14.4	3/60	3-4.8	SINGLE	17.3	0.7	23	25
	RXBH-17A18D	17	3/60	3-5.68	SINGLE	20.4	0.7	27	30
3621MTANAD/ 3621MTANNND/ 3621STANNND	RXBH-24A07D	7.2	3/60	3-2.4	SINGLE	8.7	0.7	12	15
	RXBH-24A10D	9.6	3/60	3-3.2	SINGLE	11.6	0.7	16	20
	RXBH-24A15D	14.4	3/60	3-4.8	SINGLE	17.3	0.7	23	25
	RXBH-24A18D	17	3/60	3-5.68	SINGLE	20.4	0.7	27	28
4821STANAD/ 4821STANNND	RXBH-24A07D	7.2	3/60	3-2.4	SINGLE	8.7	1.1	13	15
	RXBH-24A10D	9.6	3/60	3-3.2	SINGLE	11.6	1.1	16	20
	RXBH-24A15D	14.4	3/60	3-4.8	SINGLE	17.3	1.1	23	25
	RXBH-24A18D	17	3/60	6-2.84	SINGLE	20.4	1.1	27	30
	RXBH-24A20D	19.2	3/60	6-3.2	SINGLE	23.2	1.1	31	35
	RXBH-24A25D	24	3/60	6-4.0	SINGLE	28.8	1.1	38	40
4824STANNND	RXBH-24A07D	7.2	3/60	3-2.4	SINGLE	8.7	0.9	12	15
	RXBH-24A10D	9.6	3/60	3-3.2	SINGLE	11.6	0.9	16	20
	RXBH-24A15D	14.4	3/60	3-4.8	SINGLE	17.3	0.9	23	25
	RXBH-24A18D	17	3/60	6-2.84	SINGLE	20.4	0.9	27	30
	RXBH-24A20D	19.2	3/60	6-3.2	SINGLE	23.2	0.9	31	35
	RXBH-24A25D	24	3/60	6-4.0	SINGLE	28.8	0.9	38	40
6021STANAD	RXBH-24A07D	7.2	3/60	3-2.4	SINGLE	8.7	1.7	13	15
	RXBH-24A10D	9.6	3/60	3-3.2	SINGLE	11.6	1.7	17	20
	RXBH-24A15D	14.4	3/60	3-4.8	SINGLE	17.3	1.7	24	25
	RXBH-24A18D	17	3/60	6-2.84	SINGLE	20.4	1.7	28	30
	RXBH-24A20D	19.2	3/60	6-3.2	SINGLE	23.2	1.7	32	35
6024STANNND	RXBH-24A07D	7.2	3/60	3-2.4	SINGLE	8.7	1.5	13	15
	RXBH-24A10D	9.6	3/60	3-3.2	SINGLE	11.6	1.5	17	18
	RXBH-24A15D	14.4	3/60	3-4.8	SINGLE	17.3	1.5	24	25
	RXBH-24A18D	17	3/60	6-2.84	SINGLE	20.4	1.5	28	30
	RXBH-24A20D	19.2	3/60	6-3.2	SINGLE	23.2	1.5	31	35
	RXBH-24A25D	24	3/60	6-4.0	SINGLE	28.8	1.5	38	40
	RXBH-24A30D	28.8	3/60	6-4.8	SINGLE	34.6	1.5	46	50

\* ? Heater Kit Connection Type A=Breaker B=Terminal Block C=Pullout Disconnect

\*Values only. No single point kit available.

#### NOTES:

- Electric heater BTUH - (heater watts + motor watts) x 3.414 (see air-flow table for motor watts.)
- Supply circuit protective devices may be fuses or HACR type circuit breakers.
- If non-standard fuse size is specified, use next size larger standard fuse size.
- Largest motor load is included in single circuit or circuit 1 of multiple circuits.
- Heater loads are balanced on 3 phase models with 3 or 6 heaters only.
- No electrical heating elements are permitted to be used with A Voltage (115V) air handler.
- J Voltage (208/240V) single phase air handler is designed to be used with single or three phase 208/240V electric heaters. In the case of connecting 3 phase power to air handler terminal block with-out the heater, bring only two leads to terminal block, cap, insulate and fully secure the third lead.
- Do not use 480V electrical heaters on 208/240V air handler.
- If the kit is listed under both single and multiple circuits, the kit is shipped from factory as multiple circuits. For single phase application, Jumper bar kit RXBJ-A21 and RXBJ-A31 can be used to convert multiple circuits to a single supply circuit. Refer to Accessory Section for details.

### 3.12.6.3 ELECTRICAL DATA - WITH ELECTRIC HEAT: (-)H1A

AIR HANDLER MODEL (-)H1AY	HEATER MODEL NUMBER	HEATER KW (208/240V)	PH/HZ	NO. ELEMENTS - KW PER	TYPE SUPPLY CIRCUIT SINGLE CIRCUIT MULTIPLE CIRCUIT	HEATER AMPS	MOTOR AMPS	MINIMUM CIRCUIT AMPACITY	MAXIMUM OVERCURRENT PROTECTION
2417STANNJ	RXBH-17203J-B	2.25/3.0	1/60	1-3.0	SINGLE	10.8/12.5	1.8	16/18	20/20
	RXBH-1724203J-B	2.25/3.0	1/60	1-3.0	SINGLE	10.8/12.5	1.8	16/18	20/20
	RXBH-1724205J-B	3.6/4.8	1/60	1-4.8	SINGLE	17.3/20.0	1.8	24/28	30/30
	RXBH-1724207J-B	5.4/7.2	1/60	2-3.6	SINGLE	26.0/30.0	1.8	35/40	40/40
	RXBH-1724210J-B	7.2/9.6	1/60	2-4.8	SINGLE	34.6/40.0	1.8	46/53	50/60
	RXBH-1724A13J-B	9.4/12.5	1/60	3-4.17	SINGLE	45.1/52.1	1.8	59/68	60/70
	RXBH-1724A13J-B	3.1/4.2	1/60	1-4.17	MULTIPLE CKT 1	15.0/17.4	1.8	21/24	30/30
	RXBH-1724A13J-B	6.3/8.3	1/60	2-4.17	MULTIPLE CKT 2	30.1/34.7	0.0	38/44	40/50
3617STANNJ	RXBH-1724A07C-B	5.4/7.2	3/60	3-2.4	SINGLE	15.0/17.3	1.8	21/24	30/30
	RXBH-1724A10C-B	7.2/9.6	3/60	3-3.2	SINGLE	20.0/23.1	1.8	28/32	30/40
	RXBH-17203J-B	2.25/3.0	1/60	1-3.0	SINGLE	10.8/12.5	2.4	17/19	20/20
	RXBH-1724203J-B	2.25/3.0	1/60	1-3.0	SINGLE	10.8/12.5	2.4	17/19	20/20
	RXBH-1724205J-B	3.6/4.8	1/60	1-4.8	SINGLE	17.3/20.0	2.4	25/28	30/30
	RXBH-1724207J-B	5.4/7.2	1/60	2-3.6	SINGLE	26.0/30.0	2.4	36/41	40/50
	RXBH-1724210J-B	7.2/9.6	1/60	2-4.8	SINGLE	34.6/40.0	2.4	47/53	50/60
	RXBH-1724A13J-B	9.4/12.5	1/60	3-4.17	SINGLE	45.1/52.1	2.4	60/69	60/70
3621STANNJ	RXBH-1724A13J-B	3.1/4.2	1/60	1-4.17	MULTIPLE CKT 1	15.0/17.4	2.4	22/25	30/30
	RXBH-1724A13J-B	6.3/8.3	1/60	2-4.17	MULTIPLE CKT 2	30.1/34.7	0.0	38/44	40/50
	RXBH-1724A15J-B	10.8/14.4	1/60	3-4.18	SINGLE	51.9/60.0	2.4	68/78	70/80
	RXBH-1724A15J-B	3.6/4.8	1/60	1-4.18	MULTIPLE CKT 1	17.3/20.0	2.4	25/28	30/30
	RXBH-1724A15J-B	7.2/9.6	1/60	2-4.18	MULTIPLE CKT 2	34.6/40.0	0.0	44/50	50/50
	RXBH-1724A18J-B	12.8/17.0	1/60	4-4.26	SINGLE	61.6/70.8	2.4	80/92	90/100
	RXBH-1724A18J-B	4.3/5.7	1/60	1-5.68	MULTIPLE CKT 1	20.5/23.6	2.4	29/33	30/40
	RXBH-1724A18J-B	8.5/11.3	1/60	2-5.68	MULTIPLE CKT 2	41.1/47.2	0.0	52/59	60/60
	RXBH-1724A07C-B	5.4/7.2	3/60	3-2.4	SINGLE	15.0/17.3	2.4	22/25	30/30
	RXBH-1724A10C-B	7.2/9.6	3/60	3-3.2	SINGLE	20.0/23.1	2.4	28/32	30/40
	RXBH-17203J-B	2.25/3.0	1/60	1-3.0	SINGLE	10.8/12.5	2.3	17/19	20/20
	RXBH-1724203J-B	2.25/3.0	1/60	1-3.0	SINGLE	10.8/12.5	2.3	17/19	20/20
	RXBH-1724205J-B	3.6/4.8	1/60	1-4.8	SINGLE	17.3/20.0	2.3	25/28	30/30
	RXBH-1724207J-B	5.4/7.2	1/60	2-3.6	SINGLE	26.0/30.0	2.3	36/41	40/50
	RXBH-1724210J-B	7.2/9.6	1/60	2-4.8	SINGLE	34.6/40.0	2.3	47/53	50/60
	RXBH-1724A13J-B	9.4/12.5	1/60	3-4.17	SINGLE	45.1/52.1	2.3	60/68	60/70
4821STANNJ	RXBH-1724A13J-B	3.1/4.2	1/60	1-4.17	MULTIPLE CKT 1	15.0/17.4	2.3	22/25	30/30
	RXBH-1724A13J-B	6.3/8.3	1/60	2-4.17	MULTIPLE CKT 2	30.1/34.7	0	38/44	40/50
	RXBH-1724A15J-B	10.8/14.4	1/60	3-4.18	SINGLE	51.9/60.0	2.3	68/78	70/80
	RXBH-1724A15J-B	3.6/4.8	1/60	1-4.18	MULTIPLE CKT 1	17.3/20.0	2.3	25/28	30/30
	RXBH-1724A15J-B	7.2/9.6	1/60	2-4.18	MULTIPLE CKT 2	34.6/40.0	0	44/50	50/50
	RXBH-1724A18J-B	12.8/17.0	1/60	4-4.26	SINGLE	61.6/70.8	2.3	80/92	90/100
	RXBH-1724A18J-B	4.3/5.7	1/60	1-5.68	MULTIPLE CKT 1	20.5/23.6	2.3	29/33	30/40
	RXBH-1724A18J-B	8.5/11.3	1/60	2-5.68	MULTIPLE CKT 2	41.1/47.2	0	52/59	60/60
	RXBH-1724A07C-B	5.4/7.2	3/60	3-2.4	SINGLE	15.0/17.3	2.3	22/25	30/30
	RXBH-1724A10C-B	7.2/9.6	3/60	3-3.2	SINGLE	20.0/23.1	2.3	28/32	30/40
	RXBH-1724205J-1	3.6/4.8	1/60	1-4.8	SINGLE	17.3/20.0	5.2	29/32	30/35
	RXBH-1724207J-1	5.4/7.2	1/60	2-3.6	SINGLE	26.0/30.0	5.2	39/44	40/45
	RXBH-1724210J-1	7.2/9.6	1/60	2-4.8	SINGLE	34.6/40.0	5.2	50/57	50/60
	RXBH-1724A15J-1	10.8/14.4	1/60	3-4.8	SINGLE	51.9/60.0	5.2	72/82	80/90
	RXBH-1724A15J-1	3.6/4.8	1/60	1-4.8	MULTIPLE CKT 1	17.3/20.0	5.2	29/32	30/35
	RXBH-1724A15J-1	7.2/9.6	1/60	2-4.8	MULTIPLE CKT 2	34.6/40.0	0	44/50	45/50
RXBH-1724A18J-1	43077	1/60	3-5.68	SINGLE	61.6/70.8	5.2	84/95	90/100	
RXBH-1724A18J-1	4.3/5.7	1/60	1-5.68	MULTIPLE CKT 1	20.5/23.6	5.2	33/36	35/40	
RXBH-1724A18J-1	8.5/11.3	1/60	1-5.68	MULTIPLECKT2	41.1/47.2	0	52/59	60/60	
RXBH-24A20J-1	14.4/19.2	1/60	4-4.8	SINGLE	69.2/80	5.2	93/107	100/110	
RXBH-24A20J-1	7.2/9.5	1/60	2-4.8	MULTIPLE CKT 1	34.6/40.0	5.2	50/57	50/60	
RXBH-24A20J-1	7.2/9.6	1/60	2-4.8	MULTIPLE CKT 2	34.6/40.0	0	44/50	45/50	
RXBH-24A25J-1	18.0/24.0	1/60	6-4.0	SINGLE	86.4/99.9	5.2	115/132	125/150	
RXBH-24A25J-1 (4-ton only)	6.0/8.0	1/60	2-4.0	MULTIPLE CKT 1	28.8/33.3	5.2	43/49	45/50	
RXBH-24A25J-1 (4-ton only)	6.0/8.0	1/60	2-4.0	MULTIPLE CKT 2	28.8/33.3	0	36/42	40/45	
RXBH-24A25J-1 (4-ton only)	6.0/8.0	1/60	2-4.0	MULTIPLE CKT 3	28.8/33.3	0	36/42	40/45	
RXBH-1724A070-1	5.4/7.2	3/60	3-2.4	SINGLE	15.0/17.3	5.2	26/29	30/30	
RXBH-1724A10C-1	7.2/9.6	3/60	3-3.2	SINGLE	20.0/23.1	5.2	32/36	35/40	
RXBH-1724A15C-1	10.8/14.4	3/60	3-4.8	SINGLE	30.0/34.6	5.2	44/50	45/50	
RXBH-1724A18C-1	12.8/17.0	3/60	3 - 5.68	SINGLE	35.6/41.0	5.2	51/58	60/60	
RXBH-24A20C-1	14.4/19.2	3/60	6-3.2	SINGLE	40.0/46.2	5.2	57/65	60/70	
RXBH-24A20C-1	7.2/9.6	3/60	3-3.2	MULTIPLE CKT 1	20.0/23.1	5.2	32/36	35/40	
RXBH-24A20C-1	7.2/9.6	3/60	3-3.2	MULTIPLE CKT 2	20.0/23.1	0	25/29	25/30	
RXBH-24A25C-1	18.0/24.0	3/60	6-4.0	SINGLE	50.0/57.8	5.2	69/79	70/80	
RXBH-24A25C-1 (4-ton only)	9.0/12.0	3/60	3-4.0	MULTIPLE CKT 1	25.0/28.9	5.2	38/43	40/45	
RXBH-24A25C-1 (4-ton only)	9.0/12.0	3/60	3-4.0	MULTIPLE CKT 2	25.0/28.9	0	32/37	35/40	

• ? Heater Kit Connection Type A=Breaker B=Terminal Block C=Pullout Disconnect

### 3.12.6.3 ELECTRICAL DATA - WITH ELECTRIC HEAT: (-)H1A - continued

AIR HANDLER MODEL (-)H1AY	HEATER MODEL NUMBER	HEATER KW (208/240V)	PH/HZ	NO. ELEMENTS - KW PER	TYPE SUPPLY CIRCUIT SINGLE CIRCUIT MULTIPLE CIRCUIT	HEATER AMPS	MOTOR AMPS	MINIMUM CIRCUIT AMPACITY	MAXIMUM OVERCURRENT PROTECTION
6021STANAJ	RXBH-1724?05J-B	3.6/4.8	1/60	1-4.8	SINGLE	17.3/20.0	5.6	29/32	30/35
	RXBH-1724?07J-B	5.4/7.2	1/60	2-3.6	SINGLE	26.0/30.0	5.6	40/45	40/45
	RXBH-1724?10J-B	7.2/9.6	1/60	2-4.8	SINGLE	34.6/40.0	5.6	51/57	60/60
	RXBH-1724A15J-B	10.8/14.4	1/60	3-4.18	SINGLE	51.9/60.0	5.6	72/82	80/90
	RXBH-1724A15J-B	3.6/4.8	1/60	1-4.18	MULTIPLE CKT 1	17.3/20.0	5.6	29/32	30/35
		7.2/9.6	1/60	2-4.18	MULTIPLE CKT 2	34.6/40.0	0	50/56	50/60
	RXBH-1724A18J-B	12.8/17.0	1/60	4-4.26	SINGLE	61.6/70.8	5.6	83/95	90/100
	RXBH-1724A18J-B	4.3/5.7	1/60	1-5.68	MULTIPLE CKT 1	20.5/23.6	5.6	33/37	35/40
		8.5/11.3	1/60	2-5.68	MULTIPLE CKT 2	41.1/47.2	0	52/59	60/60
	RXBH-24A20J-B	14.4/19.2	1/60	4-4.8	SINGLE	69.2/80.0	5.6	94/107	100/110
	RXBH-24A20J-B	7.2/9.6	1/60	2-4.8	MULTIPLE CKT 1	34.6/40.0	5.6	51/57	60/60
		7.2/9.6	1/60	2-4.8	MULTIPLE CKT 2	34.6/40.0	0	44/50	50/50
	RXBH-24A25J-B	18.0/24.0	1/60	6-4.0	SINGLE	86.4/99.9	5.6	115/132	120/140
	RXBH-24A25J-B	6.0/8.0	1/60	2-4.0	MULTIPLE CKT 1	28.8/33.3	5.6	43/49	50/50
		6.0/8.0	1/60	2-4.0	MULTIPLE CKT 2	28.8/33.3	0	36/42	40/50
		6.0/8.0	1/60	2-4.0	MULTIPLE CKT 3	28.8/33.3	0	36/42	40/50
	RXBH-24A30J-B	20.7/27.6	1/60	6-4.8	SINGLE	99.5/115.0	5.6	132/151	140/160
	RXBH-24A30J-B	6.9/9.2	1/60	2-4.8	MULTIPLE CKT 1	33.2/38.3	5.6	49/55	50/60
		6.9/9.2	1/60	2-4.8	MULTIPLE CKT 2	33.2/38.3	0	42/48	50/50
		6.9/9.2	1/60	2-4.8	MULTIPLE CKT 3	33.2/38.3	0	42/48	50/50
	RXBH-1724A07C-B	5.4/7.2	3/60	3-2.4	SINGLE	15.0/17.3	5.6	26/29	30/30
	RXBH-1724A10C-B	7.2/9.6	3/60	3-3.2	SINGLE	20.0/23.1	5.6	32/36	40/40
	RXBH-1724A15C-B	10.8/14.4	3/60	3-4.8	SINGLE	30.0/34.6	5.6	45/51	50/60
	RXBH-1724A18C-B	12.8/17.0	3/60	3-5.68	SINGLE	35.6/41.0	5.6	52/59	60/60
	RXBH-24A20C-B	14.4/19.2	3/60	6-3.2	SINGLE	40.0/46.2	5.6	57/65	60/70
	RXBH-24A20C-B	7.2/9.6	3/60	3-3.2	MULTIPLE CKT 1	20.0-23.1	5.6	32/36	35/40
		7.2/9.6	3/60	3-3.2	MULTIPLE CKT2	20.0/23.1	0	25/29	30/30
	RXBH-24A25C-B	18.0/24.0	3/60	6-4.0	SINGLE	50.0/57.8	5.6	70/73	70/80
	RXBH-24A25C-B	9.0/12.0	3/60	3-4.0	MULTIPLE CKT 1	25.0/28.9	5.6	39/44	40/45
		9.0/12.0	3/60	3-4.0	MULTIPLE CKT2	25.0/28.9	0	31/37	35/40
	RXBH-24A30C-B	20.7/27.6	3/60	6-4.8	SINGLE	57.5/66.4	5.6	79/90	80/90
	RXBH-24A30C-B	10.3/13.8	3/60	3-4.8	MULTIPLE CKT 1	28.8/33.2	5.6	43/49	50/50
10.3/13.8		3/60	3-4.8	MULTIPLE CKT 2	28.8/33.2	0	36/42	40/50	
6024STANNJ	RXBH-1724?05J-B	3.6/4.8	1/60	1-4.8	SINGLE	17.3/20.0	4.7	28/31	30/35
	RXBH-1724?07J-B	5.4/7.2	1/60	2-3.6	SINGLE	26.0/30.0	4.7	39/44	40/45
	RXBH-1724?10J-B	7.2/9.6	1/60	2-4.8	SINGLE	34.6/40.0	4.7	50/56	50/60
	RXBH-1724A15J-B	10.8/14.4	1/60	3-4.18	SINGLE	51.9/60.0	4.7	71/81	80/90
	RXBH-1724A15J-B	3.6/4.8	1/60	1-4.18	MULTIPLE CKT 1	17.3/20.0	4.7	28/31	30/35
		7.2/9.6	1/60	2-4.18	MULTIPLE CKT 2	34.6/40.0	0	50/56	50/60
	RXBH-1724A18J-B	12.8/17.0	1/60	4-4.26	SINGLE	61.6/70.8	4.7	83/95	90/100
	RXBH-1724A18J-B	4.3/5.7	1/60	1-5.68	MULTIPLE CKT 1	20.5/23.6	4.7	32/36	35/40
		8.5/11.3	1/60	2-5.68	MULTIPLE CKT 2	41.1/47.2	0	52/59	60/60
	RXBH-24A20J-B	14.4/19.2	1/60	4-4.8	SINGLE	69.2/80.0	4.7	93/106	100/110
	RXBH-24A20J-B	7.2/9.6	1/60	2-4.8	MULTIPLE CKT 1	34.6/40.0	4.7	50/56	50/60
		7.2/9.6	1/60	2-4.8	MULTIPLE CKT 2	34.6/40.0	0	44/50	50/50
	RXBH-24A25J-B	18.0/24.0	1/60	6-4.0	SINGLE	86.4/99.9	4.7	114/131	120/140
	RXBH-24A25J-B	6.0/8.0	1/60	2-4.0	MULTIPLE CKT 1	28.8/33.3	4.7	42/48	50/50
		6.0/8.0	1/60	2-4.0	MULTIPLE CKT 2	28.8/33.3	0	36/42	40/50
		6.0/8.0	1/60	2-4.0	MULTIPLE CKT 3	28.8/33.3	0	36/42	40/50
	RXBH-24A30J-B	20.7/27.6	1/60	6-4.8	SINGLE	99.5/115.0	4.7	131/150	140/160
	RXBH-24A30J-B	6.9/9.2	1/60	2-4.8	MULTIPLE CKT 1	33.2/38.3	4.7	48/54	50/60
		6.9/9.2	1/60	2-4.8	MULTIPLE CKT 2	33.2/38.3	0	42/48	50/50
		6.9/9.2	1/60	2-4.8	MULTIPLE CKT 3	33.2/38.3	0	42/48	50/50
	RXBH-1724A07C-B	5.4/7.2	3/60	3-2.4	SINGLE	15.0/17.3	4.7	25/28	30/30
	RXBH-1724A10C-B	7.2/9.6	3/60	3-3.2	SINGLE	20.0/23.1	4.7	31/35	40/40
	RXBH-1724A15C-B	10.8/14.4	3/60	3-4.8	SINGLE	30.0/34.6	4.7	44/50	50/50
	RXBH-1724A18C-B	12.8/17.0	3/60	3-5.68	SINGLE	35.6/41.0	4.7	51/58	60/60
	RXBH-24A20C-B	14.4/19.2	3/60	6-3.2	SINGLE	40.0/46.2	4.7	56/64	60/70
	RXBH-24A20C-B	7.2/9.6	3/60	3-3.2	MULTIPLE CKT 1	20.0-23.1	4.7	31/35	40/40
		7.2/9.6	3/60	3-3.2	MULTIPLE CKT2	20.0/23.1	0	25/29	30/30
	RXBH-24A25C-B	18.0/24.0	3/60	6-4.0	SINGLE	50.0/57.8	4.7	69/79	70/80
	RXBH-24A25C-B	9.0/12.0	3/60	3-4.0	MULTIPLE CKT 1	25.0/28.9	4.7	38/42	40/50
		9.0/12.0	3/60	3-4.0	MULTIPLE CKT2	25.0/28.9	0	32/37	40/40
	RXBH-24A30C-B	20.7/27.6	3/60	6-4.8	SINGLE	57.5/66.4	4.7	78/89	80/90
	RXBH-24A30C-B	10.3/13.8	3/60	3-4.8	MULTIPLE CKT 1	28.8/33.2	4.7	42/48	50/50
10.3/13.8		3/60	3-4.8	MULTIPLE CKT 2	28.8/33.2	0	36/42	40/50	

\* ? Heater Kit Connection Type A=Breaker B=Terminal Block C=Pullout Disconnect

\*Values only. No single point kit available.

**NOTES:**

- Electric heater BTUH - (heater watts + motor watts) x 3.414 (see air-flow table for motor watts.)
- Supply circuit protective devices may be fuses or HACR type circuit breakers.
- If non-standard fuse size is specified, use next size larger standard fuse size.
- Largest motor load is included in single circuit or circuit 1 of multiple circuits.
- Heater loads are balanced on 3 phase models with 3 or 6 heaters only.
- No electrical heating elements are permitted to be used with A Voltage (115V) air handler.
- J Voltage (208/240V) single phase air handler is designed to be used with single or three phase 208/240V electric heaters. In the case of connecting 3 phase power to air handler terminal block without the heater, bring only two leads to terminal block, cap, insulate and fully secure the third lead.
- Do not use 480V electrical heaters on 208/240V air handler.
- If the kit is listed under both single and multiple circuits, the kit is shipped from factory as multiple circuits. For single phase application, Jumper bar kit RXBJ-A21 and RXBJ-A31 can be used to convert multiple circuits to a single supply circuit. Refer to Accessory Section for details.

### 3.12.7 ELECTRIC HEATER KIT SUPPLEMENTAL INFORMATION

MFD: MO./YEAR 01/2006  
FRQ: MO./JANNE

AIR CONDITIONING DIVISION

MADE IN THE U.S.A. FAIT DANS L'USA

MODEL/MODELE # 208/240 PH/HZ 1/60 SERIAL/EN SERIE # M0106 38751  
VOLTS 208/240 MOTOR HP./F.L.A. 1/2 4.1  
MOTEUR PSC/F.L.A.

ATTENTION: MARK HEATER INSTALLED/ L'APPAREIL DE CHAUFFAGE DE MARQUE A INSTALLER

HEATER MODEL/MODELE D'APPAREIL DE CHAUFFAGE	TYPE SUPPLY CIRCUIT/TYPES LE CIRCUIT DE PROVISION	VOLTAGE/TENSION	PHASE	KW	HEATER AMPS/AMPLIS D'APPAREIL DE CHAUFFAGE	MOTOR AMPS/LES AMPLIS MOTEURS	MAXIMUM OVERCURRENT PROTECTION/PROTECTION MAXIMUM DE OVERCURRENT	MINIMUM BRANCH CIRCUIT AMPACITY/AMPCAPACITY DE CIRCUIT DE BRANCHE
NO HEAT				0.0		4.1	15	5.2
RXBH-24A05J	SINGLE	208/240	1/60	3.6/4.8	17.3/20.0	6.0	30/35	30/33
RXBH-24A07J	SINGLE	208/240	1/60	5.4/7.2	26.0/30.0	6.0	40/45	40/45
RXBH-24A10J	SINGLE	208/240	1/60	7.2/9.6	34.6/40.0	6.0	60/60	51/58
RXBH-24A15J	SINGLE	208/240	1/60	10.8/14.4	51.9/60.0	6.0	80/90	73/83
RXBH-24A15J	MULTI CKT 1	208/240	1/60	3.6/4.8	17.3/20.0	6.0	30/35	30/33
RXBH-24A15J	MULTI CKT 2	208/240	1/60	7.2/9.6	34.6/40.0	0.0	45/50	44/50
RXBH-24A18J	SINGLE	208/240	1/60	12.8/17.0	61.2/70.8	6.0	90/100	84/96
RXBH-24A18J	MULTI CKT 1	208/240	1/60	6.4/8.5	30.8/35.4	6.0	50/60	46/52
RXBH-24A18J	MULTI CKT 2	208/240	1/60	6.4/8.5	30.8/35.4	0.0	40/45	39/45
RXBH-24A20J	SINGLE	208/240	1/60	14.4/19.2	69.2/80.0	6.0	100/110	94/108
RXBH-24A20J	MULTI CKT 1	208/240	1/60	7.2/9.6	34.6/40.0	6.0	60/60	51/58
RXBH-24A20J	MULTI CKT 2	208/240	1/60	7.2/9.6	34.6/40.0	0.0	45/50	44/50
RXBH-24A07C	SINGLE	208/240	3/60	5.4/7.2	15.0/17.3	6.0	30/30	27/30
RXBH-24A10C	SINGLE	208/240	3/60	7.2/9.6	20.0/23.1	6.0	35/40	33/37
RXBH-24A15C	SINGLE	208/240	3/60	10.8/14.4	30.0/34.6	6.0	45/60	45/51
RXBH-24A18C	SINGLE	208/240	3/60	12.4/17.0	35.6/41.0	6.0	60/60	52/59
RXBH-24A18C	MULTI CKT 1	208/240	3/60	6.4/8.5	17.8/20.5	6.0	30/35	30/34
RXBH-24A18C	MULTI CKT 2	208/240	3/60	6.4/8.5	17.8/20.5	0.0	25/30	23/26
RXBH-24A20C	SINGLE	208/240	3/60	14.2/19.2	40.0/46.2	6.0	60/70	58/66
RXBH-24A20C	MULTI CKT 1	208/240	3/60	7.2/9.6	20.0/23.1	6.0	35/40	33/37
RXBH-24A20C	MULTI CKT 2	208/240	3/60	7.2/9.6	20.0/23.1	0.0	25/30	25/29

Only listed kits can be applied

S = SINGLE CIRCUIT/CIRCUIT SIMPLE M = MULTIPLE CIRCUIT/CIRCUIT MULTIPLE

INDOOR BLOWER MOTOR LOAD INCLUDED IN CIRCUIT # 1 OR TOTAL SUPPLY WIRE MUST BE RATED AT 75°C MINIMUM COPPER CONDUCTORS ONLY. TEST EXTERNAL STATIC RANGE .1 TO .5 IN. W.C. (HEAT PUMP & ELECTRIC HEAT).

UNITS WITH ELECTRIC HEATERS: CLEARANCE TO COMBUSTIBLE MATERIAL TO BE 0 IN. TO UNIT CASING AND 0 IN. TO PLENUM AND DUCT FOR FIRST 36 IN. MODELS HAVE INTEGRAL CIRCUIT BREAKERS WHICH PROVIDE SUPPLEMENTARY OVERCURRENT PROTECTION AND SERVE AS A MAINTENANCE "DISCONNECT". SUPPLY CIRCUIT NOT TO EXCEED 120 VOLTS TO GROUND ON SINGLE PHASE UNITS. REPLACE LINE SIDE BREAKER COVER(S) AFTER MAKING WIRING CONNECTIONS TO BREAKER(S). IF BLOWER-CONTROL ASSEMBLY REQUIRES REMOVAL, SEE "WARNING HAZARDOUS VOLTAGE".

CHARGEMENT DU MOTEUR SOUFFLEUR INTERNE INCLUS DANS LE CIRCUIT # 1 OU CAPACITÉ DU CÂBLAGE D'ALIMENTATION TOTAL DOIT ÊTRE DE 75C DU MINIMUM DE CONDUCTEURS DE CUIVRE SEULEMENT. TESTER L'INTERVALLE STATIQUE EXTERNE : 1 À 5 PO W.C (THERMOPOMPE ET CHAUFFAGE ÉLECTRIQUE)

UNITÉS AVEC CHAUFFAGES ÉLECTRIQUES : LE DÉGAGEMENT AUX MATIÈRES COMBUSTIBLES DOIT ÊTRE DE 0 po AU BOITIER DE L'UNITÉ ET DE 0 po AU PLÉNUM ET CONDUIT POUR LES 36 PREMIERS po. LES MODÈLES DISPOSENT DE DISJONCTEURS INTÉGRÉS QUI FOURNISSENT UNE PROTECTION SUPPLÉMENTAIRE DE SURINTENSITÉ DE COURANT ET SERVENT DE « SECTIONNEUR » D'ENTRETIEN. LE CIRCUIT D'ALIMENTATION NE DOIT PAS DÉPASSER 120 VOLTS JUSQU'AU SOL SUR DES UNITÉS MONOPHASÉES. REMPLACER LE(S) COUVERCLE(S) DU DISJONCTEUR DU CÔTÉ SECTEUR APRÈS AVOIR EFFECTUÉ LA CONNEXION DES CÂBLAGES AU(X) DISJONCTEUR(S). SI L'ASSEMBLAGE DE CONTRÔLE DU VENTILATEUR A BESOIN D'ÊTRE DÉASSEMBLÉ, CONSULTER "AVERTISSEMENT DE TENSION DANGEREUSE"

If a heater kit is listed both Single and Multi-circuit, the kit is shipped as a Multi-circuit and will require a single point kit.

Contractor should mark or check the left column for the kit installed.

These are the required maximum and minimum circuit breaker sizes for overcurrent protection and should not be confused with the size of the breakers installed in the heater kit.

**Heater Kit Supplemental Information: What allows the manufacturer to use standard Circuit Breakers up to 60 amps inside the air handler, when using an approved Heater Kit?**

National Electric Code (Section 424-22b) and UL standards allow subdividing heating element circuits, of less than 48 amps, using breakers of not more than 60 amps. Additionally per NEC 424-3b, a rating not less than 125 percent of the load and NEC 424-22c, which describes the supplementary overcurrent protection required to be factory-installed within, or on the heater. The breakers in the heater kit are not, and have never been intended to protect power wiring leading to the air handler unit. The breakers in the heating kit are for short circuit protection and to provide a disconnect. All internal unit wiring, where the breakers apply, has been UL approved for short circuit protection.

Ampacity, (not breaker size), determines supply circuit wire size. The ampacity listed on the unit rating plate and the Maximum and Minimum circuit breaker size (noted above) or in the units specification sheet or installation instructions provides the information to properly select wire and circuit breaker/protector size. The National Electric Code (NEC) specifies that the supply or branch circuit must be protected at the source.

### 3.12.8 CONTROL WIRING

**IMPORTANT:** Class 2 low voltage control wire should not be run in conduit with power wiring and must be separated from power wiring, unless class 1 wire of proper voltage rating is used.

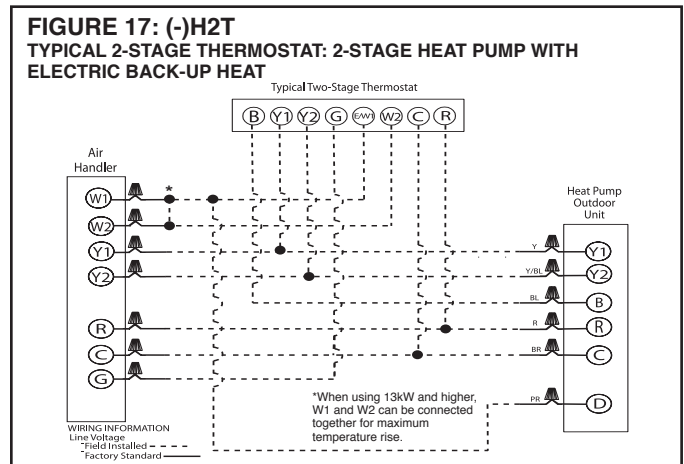
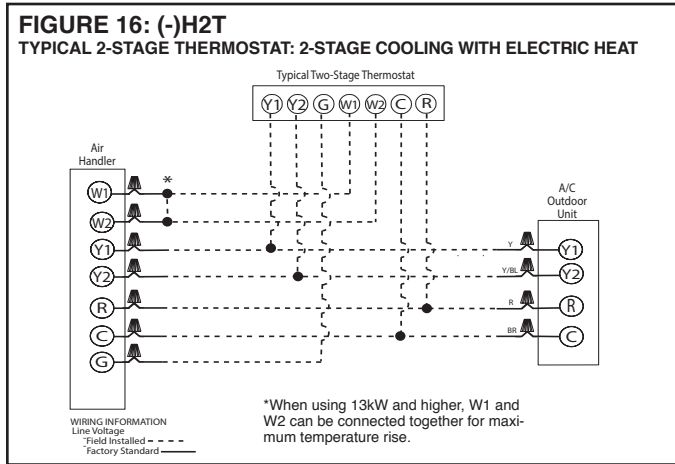
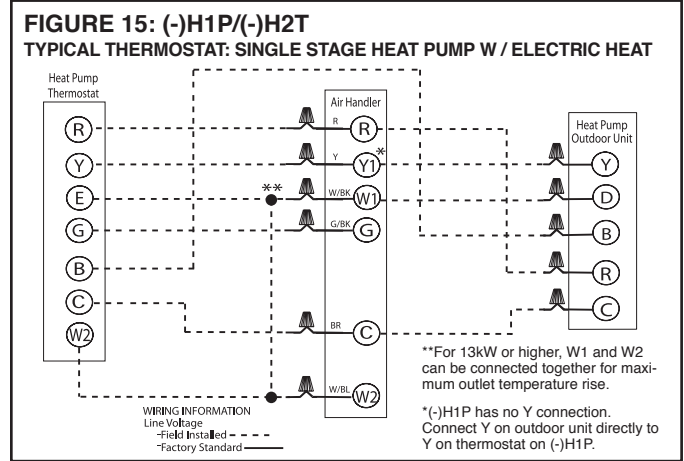
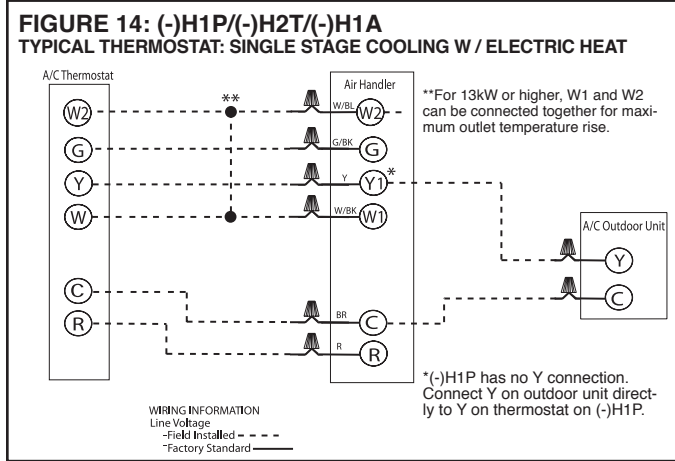
- Low voltage control wiring should be 18 Awg. color-coded. For lengths longer than 100 ft., 16 Awg. wire should be used.
- Low voltage control connections are made to low voltage pigtails extending from top of air handler (upflow position - see Figure 3). Connections for control wiring are made with wire nuts. Control wiring knockouts (5/8 and 7/8) are also provided on the right and left side of the unit for side connection.
- See Section 3.12.9 below for control wiring connections.
- Make sure, after installation, separation of control wiring and power wiring has been maintained.
- See Section 3.12.1 for how to reconfigure transformer for 208 volt applications.

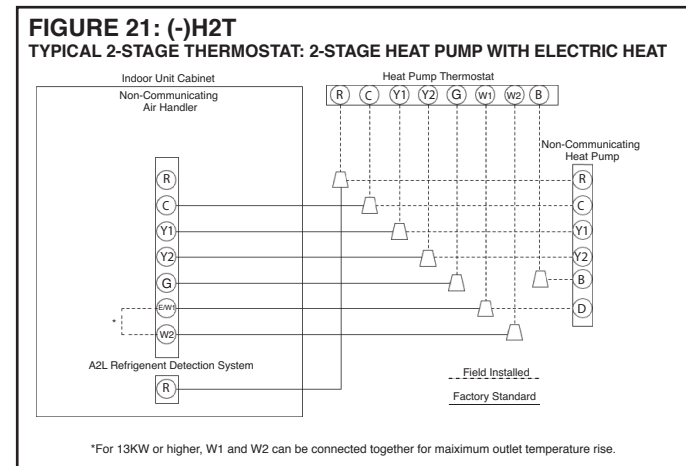
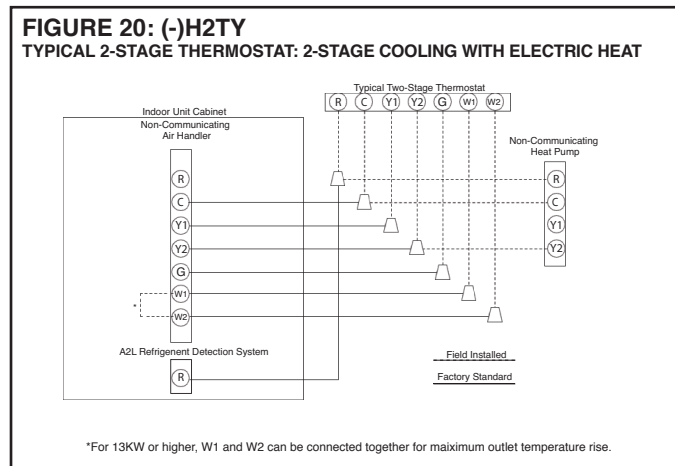
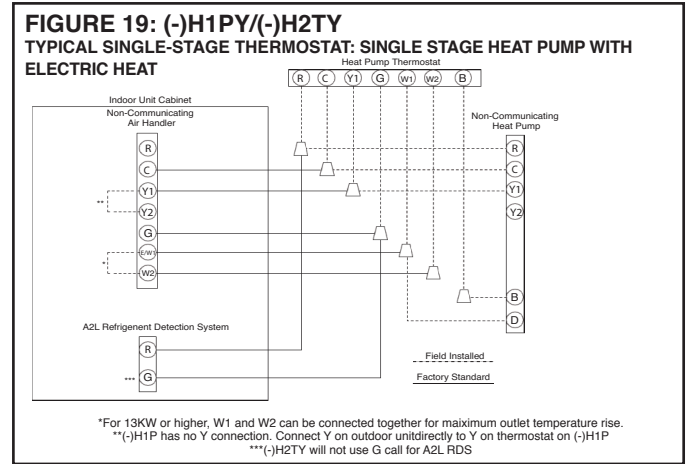
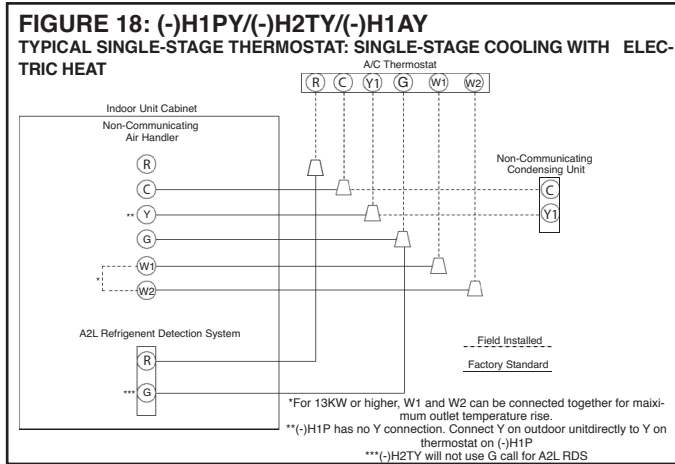
### 3.12.9 THERMOSTAT & CONTROL WIRING CONNECTIONS

NOTE: These low voltage application diagrams are generic. Your indoor/outdoor units may not have all the characteristics shown or may not wire exactly as shown. Refer to the diagrams and information sent with your indoor/outdoor sections.

**WIRE COLOR CODE:**

BK - BLACK    G - GREEN    P - PINK    W - WHITE  
 BR - BROWN    GY - GRAY    PR - PURPLE    Y - YELLOW  
 GL - BLUE    O - ORANGE    R - RED





### 3.13 Air-flow

Air-flow performance data is based on a dry indoor coil and no return air filter in place. Make sure external static applied to unit allows operation within the minimum and maximum limits shown in Section 3.13.1 below for both cooling and electric heat operation. For optimum blower performance, operate the unit in the .5 to .7 in W.C. external static range. Units should be applied with a minimum of .1 in W.C. external static pressure.

NOTE: The air-flow performance data tables (see Section 3.13.3) list air-flow information for air-handlers without heater and with maximum heater kW allowed for each model. The following formula can be used to calculate the adjusted CFM for smaller kW heaters.

$$\text{Adjusted CFM} = \text{No Heat CFM} - [(\text{No Heat CFM} - \text{Max kW CFM}) \times \frac{\text{Actual kW}}{\text{Max kW}}]$$

#### 3.13.1 GENERAL AIR-FLOW OPERATING LIMITS

Cabinet Width	17		17/21		21			24	
Cooling BTUH x 1,000	18	24	30	36	42	48	60	48	60
Cooling Tons Nominal	1.5	2	2.5	3	3.5	4	5	4	5
Heat Pump or Air Conditioning Maximum Heat/Cool CFM [L/s] (37.5 CFM [18 L/s]/1,000 BTUH) (450 CFM [212 L/s]/Ton Nominal)	675 [319]	900 [425]	1125 [531]	1350 [637]	1575 [743]	1800 [850]	1925 [907]	1800 [850]	1930* [911]
Heat Pump or Air Conditioning Nominal Heat/Cool CFM [L/s] (33.3 CFM [16 L/s]/1,000 BTUH) (400 CFM [189 L/s]/Ton Nominal)	600 [283]	800 [378]	1000 [472]	1200 [566]	1400 [661]	1600 [755]	1750 [826]	1550 [732]	1800* [850]
Heat Pump or Air Conditioning Minimum Heat/Cool CFM [L/s] (30.0 CFM [14 L/s]/1,000 BTUH) (360 CFM [170 L/s]/Ton Nominal)	540 [255]	720 [340]	900 [425]	1080 [510]	1260 [595]	1440 [680]	1575 [743]	1440 [680]	1620* [765]
Maximum kW Electric Heating & Minimum Electric Heat CFM [L/s]	13 487 [230]	13 617 [291]	18 814 [384]	18 1054 [497]	20 1171 [553]	25 1502 [709]	25 1502 [709]	25 1502 [709]	25 1666 [786]
Maximum Electric Heat Rise °F [°C]	80 [26.7]	63 [17.2]	66 [18.9]	51 [10.6]	49 [9.4]	50 [10]	50 [10]	50 [10]	54 [12.2]

\*CFM [L/s] per ton requirements are reduced for 5 ton systems.

### 3.13.2 SELECTING INDOOR BLOWER MOTOR SPEED

The (-)H1P/(-)H2T/(-)H1A air-handlers must be configured in the field to assure proper air-flow is delivered for the particular application it is being used in. Refer to the AIR-FLOW PERFORMANCE DATA in Section 3.13.3 to determine which speed tap is appropriate for the application.

**Important: The pressure drop through the required external filter is not included in the external static pressure shown in the Air-Flow Performance Tables in Section 3.13.3. The filter pressure drop must be added to the duct system pressure drop to determine total external static pressure. Filter pressure drop increases as the filter becomes dirty and must be considered when calculating worst case external static pressure.**

#### 3.13.2.1 (-)H1P/(-)H1AY4821ST MODELS (PSC MOTOR)

(-)H1P models are designed to be matched to a specific capacity outdoor unit, 1.5, 2.0, 2.5, 3.0, 3.5, 4.0, or 5.0 tons. (-)H1AY4821ST models are designed to be matched to a specific capacity air conditioner, 4.0 ton only. They have PSC motors with 2 blower motor speed taps, low speed for applications with an external static pressure of up to 0.5 W.C. and high speed for applications with an external static pressure above 0.5 W.C. All models are shipped from the factory wired for high speed operation. **Note:** The external filter pressure drop must be included in the external static pressure when selecting a blower motor speed.

**115V & 208/240V Models:** The speed selection is made on the Blower Control Board. To change from high speed to low speed, remove the BLACK motor lead from the COM terminal, remove insulated cap from the end of the RED motor lead located in the control box and plug it into the terminal on the end of the BLACK motor lead to prevent it from shorting to ground. Attach RED wire to the COM terminal on the Blower Control Board.

**480V Models:** The speed selection is made on the Blower Relay. To change from high speed to low speed, remove the BLACK motor lead from terminal 3 on the Blower Relay and remove the cap from the terminal on the end of the RED motor lead. Connect the RED motor lead to terminal 3 on the Blower Relay. For 3-4 ton models only, connect the BLACK and YELLOW motor leads together.

#### 3.13.2.2 (-)H2T MODELS (CONSTANT TORQUE ECM MOTOR) - 2 STAGE AIR-FLOW

(-)H2T models are specifically designed to be matched with 2-stage outdoor units, but can also be matched with single-stage outdoor units if properly configured for the correct indoor air-flow as covered in Section 3.13.2.3. They have constant torque ECM motors with 5 blower motor speed taps, labeled T1 through T5. Speed selections are made on the low voltage terminal block located on the motor housing. Speed tap T1 is always dedicated to continuous fan operation and delivers approximately 50% of the speed tap T4 air-flow. From factory, Yellow (Y1) and Blue (Y2) leads are connected to the motor low voltage terminal block taps T4 & T5. Yellow and Blue leads on 1/2 tonnages (1.5T, 2.5T, 3.5T) units use taps T2 & T3. Reference table 3.13.3.3. Yellow and Blue leads on Full Tonnages (2, 3, 4, 5) units use taps T4 and T5. Reference table 3.13.3.3.

#### 3.13.2.3 (-)H2T/(-)H1A MODELS (CONSTANT TORQUE ECM MOTOR) - SINGLE STAGE AIR-FLOW

(-)H2T air-handlers may be matched to single stage outdoor units if properly configured. (-)H1A (constant torque) models should be matched to single stage air conditioners only. When using a single speed outdoor unit, Y1 and Y2 thermostat wires must connect to the Y2 (Yellow/Blue) wire on the air handler. For 1/2 tonnage outdoor units (1.5T, 2.5T and 3.5T) the blue wire from the control board should be connected to either T2 or T3 on the motor low voltage terminal block. For full tonnage outdoor units (2.0T, 3.0T, 4.0T and 5.0T) the blue wire from the control board should be connected to either T4 or T5 on the motor low voltage terminal block. Select the speed tap based on the general air-flow operating limits table 3.13.1 and static of the application. **Note:** (-)H1AY4821ST models contain a PSC motor as covered in Section 3.13.2.1.

### 3.13.3 AIR-FLOW PERFORMANCE DATA

#### 3.13.3.1 240V AIR-FLOW PERFORMANCE DATA: (-)H1P (PSC MOTOR)

Model Number (-)H1PY	Motor Speed From Factory	Manufacturer Recommended Air-flow Range (Min / Max) CFM	Blower Size/ Motor HP [W] # of Speeds	Motor Speed	PSC CFM[Us] Air Delivery/RPM/Watts (Dry Coil — No Filter)										
					External Static Pressure-Inches W.C.										
						0.1 [.02]	0.2 [.05]	0.3 [.07]	0.4 [.10]	0.5 [.12]	0.6 [.15]	0.7 [.17]	0.8 [.2]	0.9 [.22]	1 [.25]
1817S No heater	High	517/711 CFM [244/336 L/s]	10x6 1/5 HP [149] 2 Speed	Low	CFM	723	661	625	582	545	482	425	345	198	—
					RPM	585	630	681	738	786	838	880	940	1006	—
					Watts	182	179	176	172	167	161	155	145	129	—
				High	CFM	880	837	807	761	712	659	596	524	417	221
					RPM	664	711	756	797	845	881	920	956	1000	1062
					Watts	255	248	244	236	231	220	213	200	187	163
1817S with 13kw heater	High	487/661 CFM [230/312 L/s]	10x6 1/5 HP [149] 2 Speed	Low	CFM	693	631	595	552	515	452	395	315	168	—
					RPM	615	660	711	768	816	868	910	970	1036	—
					Watts	173	170	167	163	158	152	146	136	120	—
				High	CFM	830	787	757	711	662	609	546	474	367	171
					RPM	689	736	781	822	870	906	945	981	1025	1087
					Watts	244	237	233	225	220	209	202	189	176	152
2417S No heater	High	647/888 CFM [305/419 L/s]	10x6 1/5 HP [149] 2 Speed	Low	CFM	850	825	795	765	718	665	619	569	486	354
					RPM	649	704	759	802	841	883	919	961	996	1044
					Watts	300	289	283	274	261	247	236	222	207	178
				High	CFM	1069	1058	1011	982	938	887	832	761	696	565
					RPM	782	832	861	889	929	956	983	1012	1032	1063
					Watts	416	412	398	379	366	349	329	313	295	263
2417S with 13kw heater	High	617/838 CFM [291/395 L/s]	10x6 1/5 HP [149] 2 Speed	Low	CFM	820	795	765	735	688	635	589	539	456	324
					RPM	679	734	789	832	871	913	949	991	1026	1074
					Watts	291	280	274	265	252	238	227	213	198	169
				High	CFM	1019	1008	961	932	888	837	782	711	646	515
					RPM	807	857	886	914	954	981	1008	1037	1057	1088
					Watts	405	401	387	368	355	338	318	302	284	252
3017S No heater	High	864/1004 CFM [408/474 L/s]	10x8 1/4 HP [186] 2 Speed	Low	CFM	1148	1104	1055	1001	943	884	815	710	538	402
					RPM	732	771	803	839	874	905	934	971	1024	1016
					Watts	375	368	356	346	332	321	307	289	259	239
				High	CFM	1402	1349	1297	1231	1175	1109	1038	953	811	545
					RPM	862	885	908	929	951	976	1000	1018	1038	1082
					Watts	541	527	514	495	480	466	449	428	397	345
3017S with 18kw heater	High	814/904 CFM [384/427 L/s]	10x8 1/4 HP [186] 2 Speed	Low	CFM	1118	1054	1005	951	893	834	765	660	488	352
					RPM	782	821	853	889	924	955	984	1021	1074	1066
					Watts	355	348	336	326	312	301	287	269	239	219
				High	CFM	1302	1249	1197	1131	1075	1009	938	853	711	445
					RPM	887	910	933	954	976	1001	1025	1043	1063	1107
					Watts	511	497	484	465	450	436	419	398	367	315
3617S/3621S No heater	High	1110/1248 CFM [524/589 L/s]	10x8 1/3 HP [249] 2 Speed	Low	CFM	1340	1315	1275	1235	1185	1120	1054	980	857	743
					RPM	796	836	870	904	932	963	990	1014	1044	1071
					Watts	475	457	442	426	410	394	374	353	329	302
				High	CFM	1576	1520	1474	1421	1361	1301	1216	1129	1024	869
					RPM	908	929	954	975	995	1016	1036	1056	1074	1094
					Watts	603	572	548	526	505	485	460	434	407	375

NOTE: (-) indicate air-flow values outside unit static range. Some CFM values on the table are outside of the general air-flow operating limits and are for reference only.

### 3.13.3.1 240V AIR-FLOW PERFORMANCE DATA: (-)H1P (PSC MOTOR) - continued

Model Number (-)H1PY	Motor Speed From Factory	Manufacturer Recommended Air-flow Range (Min / Max) CFM	Blower Size/ Motor HP [W] # of Speeds	Motor Speed	PSC CFM[Us] Air Delivery/RPM/Watts (Dry Coil — No Filter)										
					External Static Pressure-Inches W.C.										
						0.1 [.02]	0.2 [.05]	0.3 [.07]	0.4 [.10]	0.5 [.12]	0.6 [.15]	0.7 [.17]	0.8 [.2]	0.9 [.22]	1 [.25]
3617S/3621S with 18kw heater	High	1060/1148 CFM [500/542 L/s]	10x8 1/3 HP [249] 2 Speed	Low	CFM	1290	1265	1225	1185	1135	1070	1004	930	807	693
					RPM	846	886	920	954	982	1013	1040	1064	1094	1121
					Watts	455	437	422	406	390	374	354	333	309	282
				High	CFM	1476	1420	1374	1321	1261	1201	1116	1029	924	769
					RPM	933	954	979	1000	1020	1041	1061	1081	1099	1119
					Watts	573	542	518	496	475	455	430	404	377	345
4221S No heater	High	1241/1537 CFM [586/725 L/s]	10x10 1/2 HP [373] 2 Speed	Low	CFM	1645	1585	1528	1456	1372	1297	1185	952	774	598
					RPM	861	887	913	943	970	991	1015	1056	1080	1098
					Watts	551	525	503	477	449	425	400	323	316	288
				High	CFM	2032	1930	1842	1763	1670	1561	1441	1330	1161	830
					RPM	1023	1029	1040	1049	1060	1071	1082	1092	1105	1125
					Watts	827	788.2	760	738.9	702	675	647	621	587	530
4221S with 20kw heater	High	1225/1500 CFM [553/678 L/s]	10x10 1/2 HP [373] 2 Speed	Low	CFM	1575	1515	1458	1386	1302	1227	1115	882	704	528
					RPM	911	937	963	993	1020	1041	1065	1106	1130	1148
					Watts	531	505	483	457	429	405	380	303	296	268
				High	CFM	1932	1830	1742	1663	1570	1461	1341	1230	1061	730
					RPM	1048	1054	1065	1074	1085	1096	1107	1117	1130	1150
					Watts	797	758	730	709	672	645	617	591	557	500
4821S/4824S No heater	High	1395/1824 CFM [658/861 L/s]	10x10 3/4 HP [559] 2 Speed	Low	CFM	1489	1494	1484	1462	1435	1396	1356	1297	1229	1128
					RPM	630	684	733	777	813	850	886	920	955	988
					Watts	619	614	606	595	587	577	566	554	534	514
				High	CFM	2247	2217	2186	2139	2077	2019	1952	1872	1778	1674
					RPM	882	914	948	966	986	1005	1021	1038	1052	1067
					Watts	1059	1007	966	936	905	878	854	829	797	766
4821S/4824S with 25kw heater	High	1225/1500 CFM [625/814 L/s]	10x10 3/4 HP [559] 2 Speed	Low	CFM	1419	1424	1414	1392	1365	1326	1286	1227	1159	1058
					RPM	650	704	753	797	833	870	906	940	975	1008
					Watts	599	594	586	575	567	557	546	534	514	494
				High	CFM	2147	2117	2086	2039	1977	1919	1852	1772	1678	1574
					RPM	902	934	968	986	1006	1025	1041	1058	1072	1087
					Watts	1009	957	916	886	855	828	804	779	747	716
6024S No heater	High	1710/1967 CFM [807/928 L/s]	11x11 3/4HP[559] 2 Speed	Low	CFM	1948	1913	1877	1831	1782	1723	1657	1595	1512	1409
					RPM	811	842	867	898	923	947	970	985	1004	1024
					Watts	757	745	734	715	699	682	660	646	618	592
				High	CFM	2174	2134	2084	2037	1976	1906	1831	1754	1665	1586
					RPM	894	918	939	958	978	999	1014	1031	1044	1055
					Watts	902	884.3	866	844.9	824	797	773	746	719	701
6024S with 30kw heater	High	1640/1796 CFM [773/847 L/s]	11x11 3/4HP[559] 2 Speed	Low	CFM	1878	1843	1807	1761	1712	1653	1587	1525	1442	1339
					RPM	861	892	917	948	973	997	1020	1035	1054	1074
					Watts	727	715	704	685	669	652	630	616	588	562
				High	CFM	2074	2034	1984	1937	1876	1806	1731	1654	1565	1486
					RPM	944	968	989	1008	1028	1049	1064	1081	1094	1105
					Watts	872	854.3	836	814.9	794	767	743	716	689	671.3

NOTE: (-) indicate air-flow values outside unit static range. Some CFM values on the table are outside of the general air-flow operating limits and are for reference only.

### 3.13.3.2 115/208/480V AIR-FLOW PERFORMANCE DATA: (-)H1P (PSC MOTOR)

Model Number (-)H1PY	Motor Speed From Factory	Manufacturer Recommended Air-flow Range (Min / Max) CFM	Blower Size/ Motor HP [W] # of Speeds	Motor Speed	PSC CFM[Us] Air Delivery/RPM/Watts (Dry Coil — No Filter)										
					External Static Pressure-Inches W.C.										
						0.1 [.02]	0.2 [.05]	0.3 [.07]	0.4 [.10]	0.5 [.12]	0.6 [.15]	0.7 [.17]	0.8 [.2]	0.9 [.22]	1 [.25]
1817S No heater	High	517/711 CFM [244/336 L/s]	10x6 1/5 HP [149] 2 Speed	Low	CFM	723	661	625	582	545	482	425	345	198	—
					RPM	585	630	681	738	786	838	880	940	1006	—
					Watts	182	179	176	172	167	161	155	145	129	—
				High	CFM	880	837	807	761	712	659	596	524	417	221
					RPM	664	711	756	797	845	881	920	956	1000	1062
					Watts	255	248	244	236	231	220	213	200	187	163
1817S with 13kw heater	High	487/661 CFM [230/312 L/s]	10x6 1/5 HP [149] 2 Speed	Low	CFM	693	631	595	552	515	452	395	315	168	—
					RPM	615	660	711	768	816	868	910	970	1036	—
					Watts	173	170	167	163	158	152	146	136	120	—
				High	CFM	830	787	757	711	662	609	546	474	367	171
					RPM	689	736	781	822	870	906	945	981	1025	1087
					Watts	244	237	233	225	220	209	202	189	176	152
2417S No heater	High	647/888 CFM [305/419 L/s]	10x6 1/5 HP [149] 2 Speed	Low	CFM	850	825	795	765	718	665	619	569	486	354
					RPM	649	704	759	802	841	883	919	961	996	1044
					Watts	300	289	283	274	261	247	236	222	207	178
				High	CFM	1069	1058	1011	982	938	887	832	761	696	565
					RPM	782	832	861	889	929	956	983	1012	1032	1063
					Watts	416	412	398	379	366	349	329	313	295	263
2417S with 13kw heater	High	617/838 CFM [291/395 L/s]	10x6 1/5 HP [149] 2 Speed	Low	CFM	820	795	765	735	688	635	589	539	456	324
					RPM	679	734	789	832	871	913	949	991	1026	1074
					Watts	291	280	274	265	252	238	227	213	198	169
				High	CFM	1019	1008	961	932	888	837	782	711	646	515
					RPM	807	857	886	914	954	981	1008	1037	1057	1088
					Watts	405	401	387	368	355	338	318	302	284	252
3017S No heater	High	864/1004 CFM [408/474 L/s]	10x8 1/4 HP [186] 2 Speed	Low	CFM	1148	1104	1055	1001	943	884	815	710	538	402
					RPM	732	771	803	839	874	905	934	971	1024	1016
					Watts	375	368	356	346	332	321	307	289	259	239
				High	CFM	1402	1349	1297	1231	1175	1109	1038	953	811	545
					RPM	862	885	908	929	951	976	1000	1018	1038	1082
					Watts	541	527	514	495	480	466	449	428	397	345
3017S with 18kw heater	High	814/904 CFM [384/427 L/s]	10x8 1/4 HP [186] 2 Speed	Low	CFM	1148	1054	1005	951	893	834	765	660	488	352
					RPM	782	821	853	889	924	955	984	1021	1074	1066
					Watts	355	348	336	326	312	301	287	269	239	219
				High	CFM	1302	1249	1197	1131	1075	1009	938	853	711	445
					RPM	887	910	933	954	976	1001	1025	1043	1063	1107
					Watts	511	497	484	465	450	436	419	398	367	315
3617S/3621S No heater	High	1110/1248 CFM [524/589 L/s]	10x8 1/3 HP [249] 2 Speed	Low	CFM	1340	1315	1275	1235	1185	1120	1054	980	857	743
					RPM	796	836	870	904	932	963	990	1014	1044	1071
					Watts	475	457	442	426	410	394	374	353	329	302
				High	CFM	1576	1520	1474	1421	1361	1301	1216	1129	1024	869
					RPM	908	929	954	975	995	1016	1036	1056	1074	1094
					Watts	603	572	548	526	505	485	460	434	407	375

NOTE: (-) indicate air-flow values outside unit static range. Some CFM values on the table are outside of the general air-flow operating limits and are for reference only.

### 3.13.3.2 115/208/480V AIR-FLOW PERFORMANCE DATA: (-)H1P (PSC MOTOR) - continued

Model Number (-)H1PY	Motor Speed From Factory	Manufacturer Recommended Air-flow Range (Min / Max) CFM	Blower Size/ Motor HP [W] # of Speeds	Motor Speed	PSC CFM[Us] Air Delivery/RPM/Watts (Dry Coil — No Filter)										
					External Static Pressure-Inches W.C.										
					0.1 [.02]	0.2 [.05]	0.3 [.07]	0.4 [.10]	0.5 [.12]	0.6 [.15]	0.7 [.17]	0.8 [.2]	0.9 [.22]	1 [.25]	
3617S/3621S with 18kw heater	High	1060/1148 CFM [500/542 L/s]	10x8 1/3 HP [249] 2 Speed	Low	CFM	1290	1265	1225	1185	1135	1070	1004	930	807	693
					RPM	846	886	920	954	982	1013	1040	1064	1094	1121
					Watts	455	437	422	406	390	374	354	333	309	282
				High	CFM	1476	1420	1374	1321	1261	1201	1116	1029	924	769
					RPM	933	954	979	1000	1020	1041	1061	1081	1099	1119
					Watts	573	542	518	496	475	455	430	404	377	345
4221S No heater	High	1241/1537 CFM [586/725 L/s]	10x10 1/2 HP [373] 2 Speed	Low	CFM	1645	1585	1528	1456	1372	1297	1185	952	774	598
					RPM	861	887	913	943	970	991	1015	1056	1080	1098
					Watts	551	525	503	477	449	425	400	323	316	288
				High	CFM	2032	1930	1842	1763	1670	1561	1441	1330	1161	830
					RPM	1023	1029	1040	1049	1060	1071	1082	1092	1105	1125
					Watts	827	788.2	760	738.9	702	675	647	621	587	530
4221S with 20kw heater	High	1225/1500 CFM [553/678 L/s]	10x10 1/2 HP [373] 2 Speed	Low	CFM	1575	1515	1458	1386	1302	1227	1115	882	704	528
					RPM	911	937	963	993	1020	1041	1065	1106	1130	1148
					Watts	531	505	483	457	429	405	380	303	296	268
				High	CFM	1932	1830	1742	1663	1570	1461	1341	1230	1061	730
					RPM	1048	1054	1065	1074	1085	1096	1107	1117	1130	1150
					Watts	797	758	730	709	672	645	617	591	557	500
4821S/4824S No heater	High	1395/1824 CFM [658/861 L/s]	10x10 3/4 HP [559] 2 Speed	Low	CFM	1489	1494	1484	1462	1435	1396	1356	1297	1229	1128
					RPM	630	684	733	777	813	850	886	920	955	988
					Watts	619	614	606	595	587	577	566	554	534	514
				High	CFM	2247	2217	2186	2139	2077	2019	1952	1872	1778	1674
					RPM	882	914	948	966	986	1005	1021	1038	1052	1067
					Watts	1059	1007	966	936	905	878	854	829	797	766
4821S/4824S with 25kw heater	High	1225/1500 CFM [625/814 L/s]	10x10 3/4 HP [559] 2 Speed	Low	CFM	1419	1424	1414	1392	1365	1326	1286	1227	1159	1058
					RPM	650	704	753	797	833	870	906	940	975	1008
					Watts	599	594	586	575	567	557	546	534	514	494
				High	CFM	2147	2117	2086	2039	1977	1919	1852	1772	1678	1574
					RPM	902	934	968	986	1006	1025	1041	1058	1072	1087
					Watts	1009	957	916	886	855	828	804	779	747	716
6024S No heater	High	1710/1967 CFM [807/928 L/s]	11x11 3/4HP[559] 2 Speed	Low	CFM	1948	1913	1877	1831	1782	1723	1657	1595	1512	1409
					RPM	811	842	867	898	923	947	970	985	1004	1024
					Watts	757	745	734	715	699	682	660	646	618	592
				High	CFM	2174	2134	2084	2037	1976	1906	1831	1754	1665	1586
					RPM	894	918	939	958	978	999	1014	1031	1044	1055
					Watts	902	884.3	866	844.9	824	797	773	746	719	701
6024S with 30kw heater	High	1640/1796 CFM [773/847 L/s]	11x11 3/4HP[559] 2 Speed	Low	CFM	1878	1843	1807	1761	1712	1653	1587	1525	1442	1339
					RPM	861	892	917	948	973	997	1020	1035	1054	1074
					Watts	727	715	704	685	669	652	630	616	588	562
				High	CFM	2074	2034	1984	1937	1876	1806	1731	1654	1565	1486
					RPM	944	968	989	1008	1028	1049	1064	1081	1094	1105
					Watts	872	854.3	836	814.9	794	767	743	716	689	671.3

NOTE: (-) indicate air-flow values outside unit static range. Some CFM values on the table are outside of the general air-flow operating limits and are for reference only.

### 3.13.3.3 115/208/240/480V AIR-FLOW PERFORMANCE DATA: (CONSTANT TORQUE MOTOR)

Model No. (-)H2TY	Tonnage Application	Motor Speed From Factory	Blower Size/ Motor HP [W] # of Speed	Motor Speed	CFM/RPM/WATTS - Dry Coil-No Filter										
					External Static Pressure Inches of W.C.										
					0.1	0.2	0.3	0.4	0.5	0.6	0.7	0.8	0.9	1.0	
2417ST No Heater	1.5 Ton	4/5	10x8 1/3 HP [373] 5 Speed	2	CFM	835	664	501	434	362	294	273	243	217	194
					RPM	570	581	617	687	746	814	846	894	934	998
					Watts	89	70	59	66	72	78	78	82	86	90
				3	CFM	852	790	740	695	649	589	545	489	441	383
					RPM	586	634	686	740	791	851	899	951	990	1049
					Watts	94	98	105	113	121	129	136	144	149	159
2417ST with Heater	1.5 Ton	4/5	10x8 1/3 HP [373] 5 Speed	2	CFM	810	644	486	421	352	285	265	236	210	188
					RPM	599	610	648	721	783	854	889	939	981	1048
					Watts	96	77	65	71	78	85	85	89	93	98
				3	CFM	878	814	763	715	629	572	528	474	428	372
					RPM	558	604	654	705	830	894	944	998	1040	1101
					Watts	86	90	96	104	132	141	148	157	163	174
2417ST No Heater	2 Ton	4/5	10x8 1/3 HP [373] 5 Speed	4	CFM	829	662	555	482	430	363	303	260	202	181
					RPM	573	584	635	705	757	814	876	925	990	1027
					Watts	88	70	68	75	80	86	93	98	105	109
				5	CFM	974	927	882	838	799	761	710	660	611	563
					RPM	643	689	737	784	833	882	931	979	1023	1067
					Watts	127	135	143	151	159	168	176	185	192	200
2417ST with Heater	2 Ton	4/5	10x8 1/3 HP [373] 5 Speed	4	CFM	805	642	538	467	417	352	294	252	196	175
					RPM	602	613	666	741	795	855	920	971	1039	1079
					Watts	96	76	74	82	87	94	101	107	115	119
				5	CFM	970	955	907	850	775	736	701	650	609	566
					RPM	618	659	709	751	871	919	966	1024	1066	1110
					Watts	113	120	127	135	178	187	197	207	217	225
3617ST No Heater	2.5 Ton	4/5	10x10 1/2 HP [373] 5 Speed	2	CFM	857	721	665	594	539	473	401	342	318	284
					RPM	586	596	648	712	768	827	895	950	989	1056
					Watts	91	77	83	91	106	114	112	119	122	127
				3	CFM	1122	1079	1036	990	943	902	859	814	771	723
					RPM	710	750	784	817	859	899	883	735	744	720
					Watts	173	181	188	195	204	212	221	230	240	249
3617ST with Heater	2.5 Ton	4/5	10x10 1/2 HP [373] 5 Speed	2	CFM	831	700	645	576	523	459	389	332	308	276
					RPM	615	625	680	748	807	869	940	998	1038	1108
					Watts	99	84	90	99	116	124	121	130	133	138
				3	CFM	1157	1112	1068	1020	914	875	833	790	748	701
					RPM	508	546	731	662	902	944	966	1003	1045	1082
					Watts	159	166	172	179	222	231	241	251	261	271
3617ST No Heater	3 Ton	4/5	10x10 1/2 HP [373] 5 Speed	4	CFM	855	762	705	655	597	536	470	404	353	315
					RPM	588	617	662	716	777	831	875	953	937	973
					Watts	103	87	93	100	116	115	123	130	136	141
				5	CFM	1259	1213	1168	1132	1094	1056	1016	974	937	901
					RPM	771	813	846	824	824	669	723	265	123	100
					Watts	234	245	253	261	270	280	287	299	308	317

NOTE: Some CFM values on the table are outside of the general air-flow operating limits and are for reference only.

**3.13.3.3 115/208/240/480V AIR-FLOW PERFORMANCE DATA: (CONSTANT TORQUE MOTOR) - continued**

Model No. (-)H2TY	Tonnage Application	Motor Speed From Factory	Blower Size/ Motor HP [W] # of Speed	Motor Speed	CFM/RPM/WATTS - Dry Coil-No Filter										
					External Static Pressure Inches of W.C.										
					0.1	0.2	0.3	0.4	0.5	0.6	0.7	0.8	0.9	1.0	
3617ST with Heater	3 Ton	4/5	10x10 1/2 HP [373] 5 Speed	4	CFM	829	739	683	635	579	520	456	392	342	306
					RPM	618	647	696	752	816	872	919	1000	984	1021
					Watts	112	95	101	109	126	125	133	141	148	154
				5	CFM	1298	1251	1204	1167	1061	1024	986	945	909	874
					RPM	112	81	133	119	940	973	1001	1040	1072	1102
					Watts	214	224	232	239	294	305	313	326	336	345
3621ST No Heater	2.5 Ton	4/5	10x10 1/2 HP [373] 5 Speed	2	CFM	987	793	662	611	549	489	417	371	331	296
					RPM	591	598	640	700	755	817	882	929	970	1036
					Watts	97	74	66	75	80	89	95	99	110	114
				3	CFM	1148	1091	1049	993	941	898	852	809	755	712
					RPM	639	690	729	772	821	864	910	955	1006	1042
					Watts	139	145	153	162	171	179	188	196	207	216
3621ST with Heater	2.5 Ton	4/5	10x10 1/2 HP [373] 5 Speed	2	CFM	957	763	632	581	519	459	395	351	316	285
					RPM	616	623	665	725	780	842	914	966	1009	1072
					Watts	92	69	61	70	75	84	90	93	103	108
				3	CFM	1193	1129	1089	1035	911	868	822	779	725	682
					RPM	621	674	710	753	846	889	935	980	1031	1067
					Watts	142	149	157	166	166	174	183	191	202	211
3621ST No Heater	3 Ton	4/5	10x10 1/2 HP [373] 5 Speed	4	CFM	983	808	723	706	654	580	529	466	411	358
					RPM	593	600	623	641	695	770	820	880	934	986
					Watts	96	75	71	72	79	87	92	105	106	115
				5	CFM	1253	1218	1174	1139	1099	1058	1017	975	937	905
					RPM	708	740	779	814	859	895	939	983	1020	1054
					Watts	187	194	203	212	223	231	241	251	263	276
3621ST with Heater	3 Ton	4/5	10x10 1/2 HP [373] 5 Speed	4	CFM	953	778	676	624	550	499	449	402	356	310
					RPM	620	625	648	666	720	795	850	917	975	1028
					Watts	91	70	67	74	82	87	87	101	106	114
				5	CFM	1291	1256	1213	1176	1069	1028	987	945	907	875
					RPM	689	722	758	792	884	920	964	1008	1045	1079
					Watts	190	198	207	216	218	226	236	246	258	271
4821ST***N No Heater	3.5 Ton	4/5	10x10 3/4 HP [373] 5 Speed	2	CFM	892	817	737	632	564	487	429	381	338	294
					RPM	611	660	718	817	864	910	976	1037	1092	1153
					Watts	81	89	96	108	114	120	128	139	147	159
				3	CFM	1552	1492	1447	1403	1336	1290	1240	1198	1147	1085
					RPM	831	878	918	957	1006	1048	1084	1121	1170	1235
					Watts	290	303	315	327	341	356	367	379	396	421
4821ST***N with Heater	3.5 Ton	4/5	10x10 3/4 HP [373] 5 Speed	2	CFM	892	817	737	632	564	487	403	342	287	264
					RPM	611	660	718	817	864	910	1014	1080	1139	1200
					Watts	81	89	96	108	114	120	132	144	147	152
				3	CFM	1604	1542	1496	1450	1336	1290	1240	1198	1147	1085
					RPM	810	854	893	933	1006	1048	1084	1121	1170	1235
					Watts	296	308	321	334	341	356	367	379	396	421

NOTE: Some CFM values on the table are outside of the general air-flow operating limits and are for reference only.

**3.13.3.3 115/208/240/480V AIR-FLOW PERFORMANCE DATA: (CONSTANT TORQUE MOTOR) - continued**

Model No. (-)H2TY	Tonnage Application	Motor Speed From Factory	Blower Size/ Motor HP [W] # of Speed	Motor Speed	CFM/RPM/WATTS - Dry Coil-No Filter										
					External Static Pressure Inches of W.C.										
					0.1	0.2	0.3	0.4	0.5	0.6	0.7	0.8	0.9	1.0	
4821ST***N No Heater	4 Ton	4/5	10x10 3/4 HP [373] 5 Speed	4	CFM	1106	1032	973	901	819	712	628	556	494	430
					RPM	698	727	770	821	893	972	1042	1108	1167	1232
					Watts	129	134	142	150	163	178	190	206	218	236
				5	CFM	1720	1654	1604	1555	1472	1430	1392	1349	1308	1272
					RPM	876	925	967	1008	1068	1104	1134	1171	1205	1243
					Watts	362	378	393	409	430	445	457	473	487	504
4821ST***N with Heater	4 Ton	4/5	10x10 3/4 HP [373] 5 Speed	4	CFM	1106	1032	973	901	819	712	590	500	436	415
					RPM	698	727	770	821	893	972	1083	1156	1212	1277
					Watts	129	134	142	150	163	178	197	213	220	240
				5	CFM	1771	1704	1660	1606	1472	1430	1392	1349	1308	1272
					RPM	854	903	942	984	1068	1104	1134	1171	1205	1243
					Watts	370	386	402	417	430	445	457	473	487	504
4824ST No Heater	3.5 Ton	4/5	10x10 3/4 HP [373] 5 Speed	2	CFM	964	882	809	676	581	464	395	344	215	190
					RPM	445	501	552	610	651	698	729	762	800	884
					Watts	79	88	96	104	111	113	117	122	128	135
				3	CFM	1586	1525	1479	1434	1372	1312	1257	1201	1126	1035
					RPM	621	661	699	730	765	803	837	875	910	948
					Watts	242	256	269	279	292	305	317	330	342	354
4824ST with Heater	3.5 Ton	4/5	10x10 3/4 HP [373] 5 Speed	2	CFM	934	852	779	646	551	434	382	331	207	181
					RPM	470	526	577	635	676	723	758	798	831	929
					Watts	74	83	91	99	106	108	112	116	122	127
				3	CFM	1625	1565	1517	1471	1342	1282	1227	1171	1096	1005
					RPM	604	643	679	711	790	828	862	900	935	973
					Watts	246	260	273	284	287	300	312	325	337	349
4824ST No Heater	4 Ton	4/5	10x10 3/4 HP [373] 5 Speed	4	CFM	1152	1080	1004	926	837	734	662	581	518	463
					RPM	493	539	587	636	687	726	768	801	845	872
					Watts	113	122	131	141	151	159	165	175	182	188
				5	CFM	1725	1675	1621	1563	1507	1459	1412	1360	1308	1241
					RPM	658	692	728	764	798	833	861	894	922	960
					Watts	298	310	325	338	350	364	378	389	400	415
4824ST with Heater	4 Ton	4/5	10x10 3/4 HP [373] 5 Speed	4	CFM	1122	1050	974	896	807	704	641	565	505	450
					RPM	518	564	612	661	712	751	803	842	878	906
					Watts	108	117	126	136	146	154	159	167	176	181
				5	CFM	1767	1713	1655	1598	1477	1429	1382	1330	1278	1211
					RPM	639	672	709	743	823	858	886	919	947	985
					Watts	302	315	329	342	345	359	373	384	395	410
4824MT No Heater	3.5 Ton	4/5	11x11 3/4 HP [373] 5 Speed	2	CFM	1288	1068	739	513	426	352	294	189	187	186
					RPM	549	549	549	595	635	681	711	757	759	760
					Watts	134	110	78	73	78	83	86	88	91	91
				3	CFM	1618	1560	1504	1455	1410	1350	1290	1232	1184	1092
					RPM	651	688	723	755	785	819	856	895	914	964
					Watts	239	251	261	273	283	294	306	318	327	342

NOTE: Some CFM values on the table are outside of the general air-flow operating limits and are for reference only.

**3.13.3.3 115/208/240/480V AIR-FLOW PERFORMANCE DATA: (CONSTANT TORQUE MOTOR) - continued**

Model No. (-)H2TY	Tonnage Application	Motor Speed From Factory	Blower Size/ Motor HP [W] # of Speed	Motor Speed	CFM/RPM/WATTS - Dry Coil-No Filter										
					External Static Pressure Inches of W.C.										
					0.1	0.2	0.3	0.4	0.5	0.6	0.7	0.8	0.9	1.0	
4824MT with Heater	3.5 Ton	4/5	11x11 3/4 HP [373] 5 Speed	2	CFM	795	701	597	472	416	331	223	185	187	186
					RPM	437	492	551	607	630	684	740	749	750	749
					Watts	55	61	68	74	76	83	90	91	91	91
				3	CFM	1541	1487	1433	1383	1328	1285	1234	1184	1118	1054
					RPM	699	728	760	792	824	856	883	911	949	978
					Watts	251	260	270	281	290	305	314	323	336	344
4824MT No Heater	4 Ton	4/5	11x11 3/4 HP [373] 5 Speed	4	CFM	1294	1069	985	917	833	728	653	574	521	465
					RPM	549	550	594	637	684	731	768	809	836	871
					Watts	137	110	117	125	134	142	149	156	161	167
				5	CFM	1714	1664	1613	1562	1510	1453	1403	1349	1285	1233
					RPM	683	716	750	783	814	843	875	906	934	967
					Watts	280	292	304	316	327	338	348	360	372	382
4824MT with Heater	4 Ton	4/5	11x11 3/4 HP [373] 5 Speed	4	CFM	1088	1015	944	872	790	717	637	571	508	460
					RPM	534	576	619	657	705	742	776	808	837	870
					Watts	107	114	122	129	137	145	151	157	161	167
				5	CFM	1650	1595	1547	1495	1446	1394	1347	1297	1244	1188
					RPM	737	766	794	825	852	881	908	937	965	999
					Watts	300	310	320	331	341	352	362	372	383	396
6024ST No Heater	4.5 Ton	4/5	11x11 3/4 HP [373] 5 Speed	2	CFM	1321	1127	914	512	398	321	342	367	389	411
					RPM	567	573	579	588	629	667	705	801	810	875
					Watts	164	138	115	78	81	86	83	79	76	74
				3	CFM	1710	1659	1613	1563	1511	1467	1414	1356	1301	1243
					RPM	698	729	761	791	822	850	879	906	937	968
					Watts	324	338	351	363	375	386	397	405	418	431
6024ST with Heater	4.5 Ton	4/5	11x11 3/4 HP [373] 5 Speed	2	CFM	1281	1093	886	497	386	311	332	356	378	399
					RPM	595	602	608	618	660	700	740	841	851	919
					Watts	179	150	126	85	88	93	90	86	83	80
				3	CFM	1762	1710	1662	1612	1466	1423	1372	1315	1262	1205
					RPM	665	694	724	753	864	893	923	951	984	1016
					Watts	297	310	322	333	408	420	432	442	456	470
6024ST No Heater	5 Ton	4/5	11x11 3/4 HP [373] 5 Speed	4	CFM	1367	1193	1097	1032	957	869	791	719	644	580
					RPM	583	588	622	661	700	746	790	824	856	888
					Watts	176	154	156	165	174	184	194	199	207	215
				5	CFM	2065	2015	1966	1922	1877	1837	1797	1754	1707	1673
					RPM	808	836	866	891	924	946	967	995	1018	1045
					Watts	541	554	572	587	602	614	628	643	656	673
6024ST with Heater	5 Ton	4/5	11x11 3/4 HP [373] 5 Speed	4	CFM	1326	1157	1064	1001	928	843	767	697	624	562
					RPM	612	618	653	694	735	783	830	866	899	933
					Watts	192	167	170	180	190	200	211	217	226	235
				5	CFM	2128	2077	2027	1982	1821	1781	1743	1701	1656	1623
					RPM	769	796	825	849	970	994	1016	1045	1069	1097
					Watts	496	508	525	538	656	670	684	701	714	734

NOTE: Some CFM values on the table are outside of the general air-flow operating limits and are for reference only.

**3.13.3.3 115/208/240/480V AIR-FLOW PERFORMANCE DATA: (CONSTANT TORQUE MOTOR) - continued**

Model No. (-)H2TY	Tonnage Application	Motor Speed From Factory	Blower Size/ Motor HP [W] # of Speed	Motor Speed	CFM/RPM/WATTS - Dry Coil-No Filter										
					External Static Pressure Inches of W.C.										
					0.1	0.2	0.3	0.4	0.5	0.6	0.7	0.8	0.9	1.0	
6021ST No Heater	4.5 Ton	4/5	11x11 3/4 HP [373] 5 Speed	2	CFM	1120	1061	997	875	819	777	719	678	621	561
					RPM	657	710	773	859	892	917	953	981	1021	1057
					Watts	133	143	154	170	176	180	187	191	201	208
				3	CFM	1683	1640	1602	1563	1515	1464	1416	1363	1295	1248
					RPM	901	939	969	998	1047	1089	1134	1175	1228	1259
					Watts	386	399	411	421	439	454	471	486	507	519
6021ST with Heater	4.5 Ton	4/5	11x11 3/4 HP [373] 5 Speed	2	CFM	1080	1021	957	835	779	737	688	653	593	539
					RPM	682	735	798	884	917	942	985	1017	1051	1097
					Watts	128	138	149	165	171	175	182	185	194	201
				3	CFM	1735	1686	1652	1613	1475	1424	1376	1323	1255	1208
					RPM	883	920	949	976	1072	1114	1159	1200	1253	1284
					Watts	390	403	416	425	434	449	466	481	502	514
6021ST No Heater	5 Ton	4/5	11x11 3/4 HP [373] 5 Speed	4	CFM	1223	1171	1113	1057	967	892	853	804	749	704
					RPM	702	750	807	859	927	966	990	1017	1053	1083
					Watts	167	178	190	201	216	224	229	235	244	251
				5	CFM	2038	1999	1968	1934	1896	1861	1829	1790	1730	1568
					RPM	1071	1100	1124	1150	1180	1210	1240	1277	1301	1302
					Watts	666	682	697	711	727	742	759	780	771	683
6021ST with Heater	5 Ton	4/5	11x11 3/4 HP [373] 5 Speed	4	CFM	1183	1131	1073	1017	927	852	824	776	722	680
					RPM	727	775	832	884	952	991	1021	1052	1085	1117
					Watts	162	173	185	196	211	219	223	228	238	244
				5	CFM	2090	2043	2016	1980	1856	1821	1789	1750	1690	1528
					RPM	1050	1079	1102	1128	1205	1235	1265	1302	1326	1327
					Watts	670	687	701	716	722	737	754	775	766	678

NOTE: Some CFM values on the table are outside of the general air-flow operating limits and are for reference only.

### 3.13.3.4 115/208/240V AIR-FLOW PERFORMANCE DATA: (-)H1A (PSC MOTOR)

Model No. (-)H1AY	Motor Speed From Factory	Manufacturer Recommended Air-flow Range (Min / Max) CFM	Blower Size/ Motor HP [W] # of Speed	Motor Speed	CFM/RPM/WATTS - Dry Coil-No Filter										
					External Static Pressure Inches of W.C.										
					0.1	0.2	0.3	0.4	0.5	0.6	0.7	0.8	0.9	1.0	
4821ST No Heater	High	1395/1824 CFM [658/861 Ls]	10x10 3/4 HP [559] 2 Speed	Low	CFM	1489	1494	1484	1462	1435	1396	1356	1297	1229	1128
					RPM	630	684	733	777	813	850	886	920	955	988
					Watts	619	614	606	595	587	577	566	554	534	514
				High	CFM	2247	2217	2186	2139	2077	2019	1952	1872	1778	1674
					RPM	882	914	948	966	986	1005	1021	1038	1052	1067
					Watts	1059	1007	966	936	905	878	854	829	797	766
4821ST with Heater	High	1225/1500 CFM [625/814 Ls]	10x10 3/4 HP [559] 2 Speed	Low	CFM	1419	1424	1414	1392	1365	1326	1286	1227	1159	1058
					RPM	650	704	753	797	833	870	906	940	975	1008
					Watts	599	594	586	575	567	557	546	534	514	494
				High	CFM	2147	2117	2086	2039	1977	1919	1852	1772	1678	1574
					RPM	902	934	968	986	1006	1025	1041	1058	1072	1087
					Watts	1009	957	916	886	855	828	804	779	747	716

NOTE: Some CFM values on the table are outside of the general air-flow operating limits and are for reference only.

### 3.13.3.5 115/208/240V AIR-FLOW PERFORMANCE DATA: (CONSTANT TORQUE MOTOR)

Model No. (-)H1AY	Motor Speed From Factory	Manufacturer Recommended Air-flow Range (Min / Max) CFM	Blower Size/ Motor HP [W] # of Speed	Motor Speed	CFM/RPM/WATTS - Dry Coil-No Filter										
					External Static Pressure Inches of W.C.										
					0.1	0.2	0.3	0.4	0.5	0.6	0.7	0.8	0.9	1.0	
2417ST No Heater	1.5 Ton	4/5	10x8 1/3 HP [373] 5 Speed	2	CFM	835	664	501	434	362	294	273	243	217	194
					RPM	570	581	617	687	746	814	846	894	934	998
					Watts	89	70	59	66	72	78	78	82	86	90
				3	CFM	852	790	740	695	649	589	545	489	441	383
					RPM	586	634	686	740	791	851	899	951	990	1049
					Watts	94	98	105	113	121	129	136	144	149	159
2417ST with Heater	1.5 Ton	4/5	10x8 1/3 HP [373] 5 Speed	2	CFM	810	644	486	421	352	285	265	236	210	188
					RPM	599	610	648	721	783	854	889	939	981	1048
					Watts	96	77	65	71	78	85	85	89	93	98
				3	CFM	878	814	763	715	629	572	528	474	428	372
					RPM	558	604	654	705	830	894	944	998	1040	1101
					Watts	86	90	96	104	132	141	148	157	163	174
2417ST No Heater	2 Ton	4/5	10x8 1/3 HP [373] 5 Speed	4	CFM	829	662	555	482	430	363	303	260	202	181
					RPM	573	584	635	705	757	814	876	925	990	1027
					Watts	88	70	68	75	80	86	93	98	105	109
				5	CFM	974	927	882	838	799	761	710	660	611	563
					RPM	643	689	737	784	833	882	931	979	1023	1067
					Watts	127	135	143	151	159	168	176	185	192	200
2417ST with Heater	2 Ton	4/5	10x8 1/3 HP [373] 5 Speed	4	CFM	805	642	538	467	417	352	294	252	196	175
					RPM	602	613	666	741	795	855	920	971	1039	1079
					Watts	96	76	74	82	87	94	101	107	115	119
				5	CFM	970	955	907	850	775	736	701	650	609	566
					RPM	618	659	709	751	871	919	966	1024	1066	1110
					Watts	113	120	127	135	178	187	197	207	217	225
3617ST No Heater	2.5 Ton	4/5	10x10 1/2 HP [373] 5 Speed	2	CFM	857	721	665	594	539	473	401	342	318	284
					RPM	586	596	648	712	768	827	895	950	989	1056
					Watts	91	77	83	91	106	114	112	119	122	127
				3	CFM	1122	1079	1036	990	943	902	859	814	771	723
					RPM	710	750	784	817	859	899	883	735	744	720
					Watts	173	181	188	195	204	212	221	230	240	249
3617ST with Heater	2.5 Ton	4/5	10x10 1/2 HP [373] 5 Speed	2	CFM	831	700	645	576	523	459	389	332	308	276
					RPM	615	625	680	748	807	869	940	998	1038	1108
					Watts	99	84	90	99	116	124	121	130	133	138
				3	CFM	1157	1112	1068	1020	914	875	833	790	748	701
					RPM	508	546	731	662	902	944	966	1003	1045	1082
					Watts	159	166	172	179	222	231	241	251	261	271
3617ST No Heater	3 Ton	4/5	10x10 1/2 HP [373] 5 Speed	4	CFM	855	762	705	655	597	536	470	404	353	315
					RPM	588	617	662	716	777	831	875	953	937	973
					Watts	103	87	93	100	116	115	123	130	136	141
				5	CFM	1259	1213	1168	1132	1094	1056	1016	974	937	901
					RPM	771	813	846	824	824	669	723	265	123	100
					Watts	234	245	253	261	270	280	287	299	308	317

NOTE: Some CFM values on the table are outside of the general air-flow operating limits and are for reference only.

**3.13.3.5 115/208/240V AIR-FLOW PERFORMANCE DATA: (CONSTANT TORQUE MOTOR) - continued**

Model No. (-)H1AY	Motor Speed From Factory	Manufacturer Recommended Air-flow Range (Min / Max) CFM	Blower Size/ Motor HP [W] # of Speed	Motor Speed	CFM/RPM/WATTS - Dry Coil-No Filter										
					External Static Pressure Inches of W.C.										
					0.1	0.2	0.3	0.4	0.5	0.6	0.7	0.8	0.9	1.0	
3617ST with Heater	3 Ton	4/5	10x10 1/2 HP [373] 5 Speed	4	CFM	829	739	683	635	579	520	456	392	342	306
					RPM	618	647	696	752	816	872	919	1000	984	1021
					Watts	112	95	101	109	126	125	133	141	148	154
				5	CFM	1298	1251	1204	1167	1061	1024	986	945	909	874
					RPM	112	81	133	119	940	973	1001	1040	1072	1102
					Watts	214	224	232	239	294	305	313	326	336	345
3621ST No Heater	2.5 Ton	4/5	10x10 1/2 HP [373] 5 Speed	2	CFM	987	793	662	611	549	489	417	371	331	296
					RPM	591	598	640	700	755	817	882	929	970	1036
					Watts	97	74	66	75	80	89	95	99	110	114
				3	CFM	1148	1091	1049	993	941	898	852	809	755	712
					RPM	639	690	729	772	821	864	910	955	1006	1042
					Watts	139	145	153	162	171	179	188	196	207	216
3621ST with Heater	2.5 Ton	4/5	10x10 1/2 HP [373] 5 Speed	2	CFM	957	763	632	581	519	459	395	351	316	285
					RPM	616	623	665	725	780	842	914	966	1009	1072
					Watts	92	69	61	70	75	84	90	93	103	108
				3	CFM	1193	1129	1089	1035	911	868	822	779	725	682
					RPM	621	674	710	753	846	889	935	980	1031	1067
					Watts	142	149	157	166	166	174	183	191	202	211
3621ST No Heater	3 Ton	4/5	10x10 1/2 HP [373] 5 Speed	4	CFM	983	808	723	706	654	580	529	466	411	358
					RPM	593	600	623	641	695	770	820	880	934	986
					Watts	96	75	71	72	79	87	92	105	106	115
				5	CFM	1253	1218	1174	1139	1099	1058	1017	975	937	905
					RPM	708	740	779	814	859	895	939	983	1020	1054
					Watts	187	194	203	212	223	231	241	251	263	276
3621ST with Heater	3 Ton	4/5	10x10 1/2 HP [373] 5 Speed	4	CFM	953	778	676	624	550	499	449	402	356	310
					RPM	620	625	648	666	720	795	850	917	975	1028
					Watts	91	70	67	74	82	87	87	101	106	114
				5	CFM	1291	1256	1213	1176	1069	1028	987	945	907	875
					RPM	689	722	758	792	884	920	964	1008	1045	1079
					Watts	190	198	207	216	218	226	236	246	258	271
6021ST No Heater	4.5 Ton	4/5	11x11 3/4 HP [373] 5 Speed	2	CFM	1120	1061	997	875	819	777	719	678	621	561
					RPM	657	710	773	859	892	917	953	981	1021	1057
					Watts	133	143	154	170	176	180	187	191	201	208
				3	CFM	1683	1640	1602	1563	1515	1464	1416	1363	1295	1248
					RPM	901	939	969	998	1047	1089	1134	1175	1228	1259
					Watts	386	399	411	421	439	454	471	486	507	519
6021ST with Heater	4.5 Ton	4/5	11x11 3/4 HP [373] 5 Speed	2	CFM	1080	1021	957	835	779	737	688	653	593	539
					RPM	682	735	798	884	917	942	985	1017	1051	1097
					Watts	128	138	149	165	171	175	182	185	194	201
				3	CFM	1735	1686	1652	1613	1475	1424	1376	1323	1255	1208
					RPM	883	920	949	976	1072	1114	1159	1200	1253	1284
					Watts	390	403	416	425	434	449	466	481	502	514

NOTE: Some CFM values on the table are outside of the general air-flow operating limits and are for reference only.

**3.13.3.5 115/208/240V AIR-FLOW PERFORMANCE DATA: (CONSTANT TORQUE MOTOR) - continued**

Model No. (-)H1AY	Motor Speed From Factory	Manufacturer Recommended Air-flow Range (Min / Max) CFM	Blower Size/ Motor HP [W] # of Speed	Motor Speed	CFM/RPM/WATTS - Dry Coil-No Filter										
					External Static Pressure Inches of W.C.										
					0.1	0.2	0.3	0.4	0.5	0.6	0.7	0.8	0.9	1.0	
6021ST No Heater	5 Ton	4/5	11x11 3/4 HP [373] 5 Speed	4	CFM	1223	1171	1113	1057	967	892	853	804	749	704
					RPM	702	750	807	859	927	966	990	1017	1053	1083
					Watts	167	178	190	201	216	224	229	235	244	251
				5	CFM	2038	1999	1968	1934	1896	1861	1829	1790	1730	1568
					RPM	1071	1100	1124	1150	1180	1210	1240	1277	1301	1302
					Watts	666	682	697	711	727	742	759	780	771	683
6021ST with Heater	5 Ton	4/5	11x11 3/4 HP [373] 5 Speed	4	CFM	1183	1131	1073	1017	927	852	824	776	722	680
					RPM	727	775	832	884	952	991	1021	1052	1085	1117
					Watts	162	173	185	196	211	219	223	228	238	244
				5	CFM	2090	2043	2016	1980	1856	1821	1789	1750	1690	1528
					RPM	1050	1079	1102	1128	1205	1235	1265	1302	1326	1327
					Watts	670	687	701	716	722	737	754	775	766	678
6024ST No Heater	4.5 Ton	4/5	11x11 3/4 HP [373] 5 Speed	2	CFM	1321	1127	914	512	398	321	342	367	389	411
					RPM	567	573	579	588	629	667	705	801	810	875
					Watts	164	138	115	78	81	86	83	79	76	74
				3	CFM	1710	1659	1613	1563	1511	1467	1414	1356	1301	1243
					RPM	698	729	761	791	822	850	879	906	937	968
					Watts	324	338	351	363	375	386	397	405	418	431
6024ST with Heater	4.5 Ton	4/5	11x11 3/4 HP [373] 5 Speed	2	CFM	1281	1093	886	497	386	311	332	356	378	399
					RPM	595	602	608	618	660	700	740	841	851	919
					Watts	179	150	126	85	88	93	90	86	83	80
				3	CFM	1762	1710	1662	1612	1466	1423	1372	1315	1262	1205
					RPM	665	694	724	753	864	893	923	951	984	1016
					Watts	297	310	322	333	408	420	432	442	456	470
6024ST No Heater	5 Ton	4/5	11x11 3/4 HP [373] 5 Speed	4	CFM	1367	1193	1097	1032	957	869	791	719	644	580
					RPM	583	588	622	661	700	746	790	824	856	888
					Watts	176	154	156	165	174	184	194	199	207	215
				5	CFM	2065	2015	1966	1922	1877	1837	1797	1754	1707	1673
					RPM	808	836	866	891	924	946	967	995	1018	1045
					Watts	541	554	572	587	602	614	628	643	656	673
6024ST with Heater	5 Ton	4/5	11x11 3/4 HP [373] 5 Speed	4	CFM	1326	1157	1064	1001	928	843	767	697	624	562
					RPM	612	618	653	694	735	783	830	866	899	933
					Watts	192	167	170	180	190	200	211	217	226	235
				5	CFM	2128	2077	2027	1982	1821	1781	1743	1701	1656	1623
					RPM	769	796	825	849	970	994	1016	1045	1069	1097
					Watts	496	508	525	538	656	670	684	701	714	734

NOTE: Some CFM values on the table are outside of the general air-flow operating limits and are for reference only.

## 4.0 START-UP

### 4.1 PRE-START CHECKLIST

PRE-START CHECKLIST	
<input type="checkbox"/> YES <input type="checkbox"/> NO	Is unit properly located, level, secure and serviceable?
<input type="checkbox"/> YES <input type="checkbox"/> NO	Has auxiliary pan been provided under the unit with separate drain? (Units installed above a finished ceiling).
<input type="checkbox"/> YES <input type="checkbox"/> NO	Is condensate line properly sized, run, trapped, pitched and tested?
<input type="checkbox"/> YES <input type="checkbox"/> NO	Is ductwork correctly sized, run, taped and insulated?
<input type="checkbox"/> YES <input type="checkbox"/> NO	Have all cabinet openings and wiring been sealed with caulking?
<input type="checkbox"/> YES <input type="checkbox"/> NO	Is the filter clean, in place and of adequate size?
<input type="checkbox"/> YES <input type="checkbox"/> NO	Is the wiring tight, correct and to the wiring diagram?
<input type="checkbox"/> YES <input type="checkbox"/> NO	Is the unit properly grounded and protected (fused)?
<input type="checkbox"/> YES <input type="checkbox"/> NO	Is the thermostat heat anticipator been set properly?
<input type="checkbox"/> YES <input type="checkbox"/> NO	Is the unit circuit breaker(s) rotated properly on up - off down?
<input type="checkbox"/> YES <input type="checkbox"/> NO	Are the unit circuit breaker(s) line lug cover(s) in place?
<input type="checkbox"/> YES <input type="checkbox"/> NO	Are all access panels in place and secure?
Refer to outdoor unit installation instructions for system start-up instructions and refrigerant charging instructions.	

### 4.2 SYSTEM START-UP AND OPERATIONAL CHECK-OUT

After the air-handler and other system components have been installed and the Pre-Start Checklist has been completed, the system should be started up and an operational check-out should be performed. The operational check-out includes checking sequence of operation of the controls, air-flow, and refrigerant charge. If the controls are not found to be functioning properly, or the air-flow or refrigerant charge are not within specifications, corrective action must be taken. The following sections are provided to assist the installer with the operational check-out.

### 4.3 SEQUENCE OF OPERATION

#### 4.3.1 COOLING MODE

When the thermostat calls for cooling, the G terminal on the blower control board is energized which in turn energizes the indoor blower motor. This causes the indoor blower to circulate air through the air-handler and duct system during the cooling cycle.

For (-)H2T air-handlers, when the Y1 (1st stage) thermostat pigtail is energized by the thermostat, the indoor blower motor operates at the 1st stage cooling air-flow level. When the Y2 (2nd stage) thermostat pigtail is energized by a 2-stage thermostat, the air-flow increases to the 2nd stage of cooling air-flow. As the 2-stage thermostat alternates between the 1st and 2nd cooling stages, the indoor air-flow alternates between the 1st and 2nd stages of air-flow.

When the thermostat call is satisfied or turned to the off position. The G and Y inputs from the thermostat are de-energized. A time delay programmed into the (-)H1P/(-)H1AY4821ST blower control board or (-)H2T/(-)H1A (constant torque) keeps the blower motor energized for an additional 30 seconds to extract the residual cooling from the cold indoor coil before it shuts down. If the thermostat is set for continuous fan operation, the motor continues to operate when the call for cooling ends. The air-flow on an (-)H2T/(-)H1A (constant torque) air-handler will be reduced to the continuous fan speed while the air-flow on a (-)H1P/(-)H1AY4821ST air-handler will remain constant.

### **4.3.2 ELECTRIC HEAT MODE**

When the thermostat calls for the 1st stage of heat, the W1 terminal on the blower control board is energized. This energizes the indoor blower motor and all of the electric heater elements for heater kits with 10kW of heat or less and the 1st stage elements for 13kW heater kits and higher. If W1 and W2 thermostat pigtails at the air-handler are wired together on 13kW heater kits and higher, all of the elements to be energized. For 13kW heater kits and higher, a 2-stage heat thermostat can be used to energize the W2 terminal on the blower control board upon a call for a 2nd stage of heat which will in turn energize the 2nd stage heater elements. The heater kit will cycle between the 1st and 2nd stages of heat at the direction of the thermostat.

When the thermostat call for heat is satisfied or the thermostat is turned to the off position, the W1 terminal on the blower control board is de-energized which will de-energize the heating elements in a few seconds as the bimetallic disc in the sequencer cools. The blower motor will be de-energized 75 seconds after the call for heat ends.

### **4.3.3 HEAT PUMP HEATING MODE**

When the heat pump thermostat is set to heat mode, the B terminal on the outdoor unit is energized which energizes the reversing valve and switches it to the heating position. When the thermostat calls for heat, the G terminal on the blower control board is energized which in turn energizes the indoor blower motor. This causes the indoor blower to circulate air through the air-handler and duct system during the heating cycle.

For (-)H2T air-handlers, when the Y1 (1st stage) thermostat pigtail is energized by the thermostat, the indoor blower motor operates at the 1st stage heating air-flow level. When the Y2 (2nd stage) thermostat pigtail is energized by a 2-stage thermostat, the air-flow increases to the 2nd stage of heating air-flow. The air-flow levels for both stages the heat pump heating are the same for the cooling mode. As the 2-stage thermostat alternates between the 1st and 2nd heat pump heating stages, the indoor air-flow alternates between the 1st and 2nd stages of air-flow.

Should the room temperature continue to fall when the system is operating in the heat pump heating mode, the thermostat energizes the W2 terminal on the blower control board which energizes the supplemental electric heat. For 13kW heater kits and larger, the W1 and W2 pigtails can be connected together for maximum supplemental heat for 2nd stage or wired to the W1 and W2 terminals on the thermostat separately to provide a 3rd stage of heat as needed.

When the thermostat call is satisfied. The G and Y terminals inputs from the thermostat are de-energized. A time delay programmed into the (-)H1P blower control board or (-)H2T motor keeps the blower motor energized for an additional 30 seconds to extract the residual heat from the warm indoor coil. If the thermostat is set for continuous fan operation, the motor continues to operate when the call for heating ends. The air-flow on an (-)H2T air-handler will be reduced to the continuous fan speed while the air-flow on a (-)H1P air-handler will remain constant.

### **4.3.4 SUPPLEMENTAL ELECTRIC HEAT DURING DEFROST**

Supplemental electric heat during the defrost cycle can be provided by running a wire from the purple pigtail wire (from D terminal on defrost control) on the outdoor heat pump unit to the W1 pigtail on the air-handler. This will energize the electric heat during the defrost cycle to prevent cold air from being discharged from the supply registers in the home.

For the most economical operation and if cold discharge air is not a concern, do not run the wire from the purple pigtail on the outdoor unit to the W1 pigtail on the air-handler. In this case, supplemental heat will only be energized if the thermostat energizes the 2nd stage of heat during the defrost cycle due to a significant drop in room temperature.

### **4.3.5 EMERGENCY HEAT (HEAT PUMP)**

If heat pump thermostat is set to the Emergency Heat mode, the outdoor unit will be prevented from operating and heat will be provided solely by the electric heater. The electric heater elements and indoor blower motor will be energized any time there is a call for heat with no compressor and outdoor fan operation. A jumper should be installed between the W1 and E terminals on the thermostat sub-base so a call for emergency heat will be transferred to the 1st stage of heat of the thermostat. The indoor blower will cycle on and off with the electric heater elements when the thermostat fan setting is set to the auto mode, although there will be a 75 second delay off period for the blower motor after the call for heat ends.

### **4.3.6 THERMOSTAT FAN SETTING**

If the thermostat FAN setting is adjusted to the AUTO position, the indoor blower motor will only operate when there is a call for cooling or heating. If the setting is adjusted to the ON position, the indoor blower motor will operate continuously. On (-)H2T/(-)H1A (constant torque) models, the indoor blower motor will operate at a reduced speed when there is no call for cooling and heating to reduce power consumption and noise.

## **4.4 CORRECTING ELECTRIC HEAT kW FOR VOLTAGE**

The actual electric heat kW varies with the supply voltage. Use the following formula to correct the heater rated kW at voltages other than rated voltage.

$$\text{Actual kW} = \text{Rated kW} \times (\text{Actual Voltage}^2 / \text{Rated Voltage}^2).$$

## **4.5 CALCULATING ELECTRIC HEAT CAPACITY IN BTUH**

Use the following formula to convert heater kW to heating capacity in BTUH.

$$\text{BTUH Capacity} = \text{kW} \times 3412$$

(Where 3412 = BTUH per kW)

## 4.6 CHECKING INDOOR AIR-FLOW

### 4.6.1 ESTIMATING CFM USING EXTERNAL STATIC PRESSURE

A common method of checking indoor is to measure the external static pressure that the air-handler is working against and then referring to the air-flow data in Section 3.13.3. Measuring external static pressure to a high degree of precision in the field is challenging, so keep in mind that the CFM determined by this method is an estimate, but is accurate enough for all practical purposes.

To determine external static pressure, the static pressure should be measured in inches of water column across the air-handler using an incline manometer, digital static pressure meter, or a Magnahelic. The static pressure inside the return plenum should be measured as close to the air-handler as possible and must be measured between any external filter rack and the unit so the pressure drop across the filter is accounted for. The static pressure inside the supply plenum should be measured at a point about halfway between the air-handler and the first elbow or the end of the plenum. Total external static pressure is the sum of the return and supply plenum static pressures. Even though the return plenum static pressure is a negative pressure, it must be added to the supply plenum static pressure, ignoring the negative sign. The supply and return plenum static pressure tubing can also be connected to both pressure ports of the pressure measuring device which will automatically add the two pressures together.

## IMPORTANT:

When checking external static pressure in the cooling or heat pump heating mode on (-)H2T models that are matched to a 2-Stage outdoor unit, the thermostat set point must be adjusted so the system is operating in the 2nd stage mode to assure the air-handler is delivering 2nd stage air-flow.

### 4.6.2 ESTIMATING CFM USING ELECTRIC HEAT TEMPERATURE RISE

If the air-handler is equipped with an electric heater, the CFM can be estimated using the air temperature rise across the air-handler with the heater and blower both energized once the unit has run long enough for the temperatures to stabilize. As with determining CFM using external static pressure, the CFM determined by this method is an estimate, but is accurate enough for all practical purposes. Measure the return air temperature as close to the unit as possible and the supply air temperature about half way from the air-handler to the first elbow or end of the supply plenum. Use the following formula to calculate CFM once the temperature rise is determined.

$$\text{CFM} = \text{Heating BTUH} / (\text{Elevation Factor} \times \text{Temp Rise } ^\circ\text{F})$$

Note: Refer to Section 4.5 to determine Heating BTUH and the following chart for Elevation Factor.

## 4.7 CHECKING REFRIGERANT CHARGE

System refrigerant charging should only be performed after the indoor air-flow is confirmed to be correct for the application. Once the air-flow is confirmed, refer to the manufacturer's outdoor unit charging chart and installation manual for the proper charging procedure for the system.

**Note:** The charging method for systems with a fixed orifice (piston) will likely be different than systems with TXV's.

Elevation (Feet)	Elevation Factor
Sea Level	1.08
500	0.98
1000	0.96
1500	0.95
2000	0.93
2500	0.91
3000	0.90
3500	0.88
4000	0.86
5000	0.83
6000	0.83
7000	0.77
8000	0.74
9000	0.72
10000	0.69

# 5.0 COMPONENTS & CONTROLS

## 5.1 BLOWER MOTOR

All (-)H1P and (-)H1AY4821ST models have 2-speed single-phase permanent split capacitor (PSC) style motors.

- The 208/240 volt models also have voltage taps that allow the motor to be configured to restore full air-flow performance in 208 volt applications.
- The low speed tap is for applications with duct system external static pressures up to 0.5 W.C. and the high speed tap is for applications with external static pressures from 0.5 – 0.7 W.C.
- A run capacitor is required for the PSC motors which is mounted on the blower housing. Speed and voltage change instructions are detailed in Section 3.13.2 of this manual.

All (-)H2T and (-)H1A models, except (-)H1AY4821ST, models have 5-speed constant torque electronically commutated (ECM) style motors that are significantly more efficient than PSC motors.

- The 208/240 volt models do not require the motor to be reconfigured for 208 volt applications, although the control transformer must still be reconfigured for 208 volt applications.
- The motor has a control module mounted on the end of the motor opposite the shaft end which is replaceable should only the control module itself fail.
- Constant torque ECM motors do not require a run capacitor.
- A terminal block on the motor shell is provided for the 5 speed taps, labeled T1 – T5. The speed taps are 24VAC inputs. Do not connect line voltage to these speed taps. T1 provides the slowest speed and is dedicated to continuous fan operation. T2 – T5 are for cooling & heating operation and are selectable at the terminal block using a single wire with an insulated terminal that plugs onto the terminals in the terminal block. Speed change instructions are detailed in Section 3.13.2.
- The constant torque motor has a built in soft start that will ramp the motor up to speed gradually.
- An off-delay is built into the control of the motor that keeps the motor energized for 30 seconds after 24 volts is removed from all speed tap terminals.
- If two of the speed tap terminals (T1 – T5) are energized with 24 volts simultaneously, the motor will operate at the higher of the 2 speeds. An example of this is when the G and Y thermostat inputs are both energized in the cooling or heat pump heating mode. In this case, T1 (continuous fan) and a higher numbered speed tap will both be energized resulting in the motor operating at the higher speed to support the cooling or heat pump heating air-flow requirement.
- For (-)H2T models matched to a 2-Stage thermostat and 2-Stage outdoor unit, a 2nd stage call for cooling or heat pump heating operation will result in both Y1+Y2 thermostat inputs being energized. The indoor blower motor will operate in the 2nd stage mode based on which terminal the blue (Y2) lead is connected to on the motor low voltage terminal block as long as it is connected to a terminal with a higher number than the yellow (Y1) lead.
- The air-flow delivery rate for a constant torque ECM motor will not decrease as much as it does with a PSC motor as external static pressure increases.

## 5.2 MOTOR RUN CAPACITOR

Only the (-)H1P and (-)H1AY4821ST models have run capacitors due to the fact they have PSC motors. The capacitor is mounted on the blower housing using a sheet metal strap. The microfarad (mfd) & voltage ratings vary depending on the blower motor and must be replaced with one with the same rating, except 370V rated capacitors can always be replaced with a 440V rated capacitor.

## 5.3 BLOWER CONTROL

An electronic blower control is provided to control blower motor & electric heat operation and is located inside the control box attached to the blower housing. The blower control in the (-)H1P/(-)H1AY4821ST and (-)H2T/(-)H1A (constant torque) operate differently as described below.

### (-)H1P/(-)H1AY4821ST - Blower Control

- The contacts in the on-board relay (BR) are used to connect line voltage to the motor speed tap when there is a call for motor operation. Motor speed changes are made by switching motor speed taps at this relay.
- The control has an on-board 3 amp automotive style fuse to protect the control circuit.
- A plug on the electric heater kit wiring harness plugs into a 4 pin plug receptacle on the blower control to allow control of the electric heater by the blower control based on thermostat input.
- There is a 5-pin connector for the thermostat pigtail harness to connect to. Wires from the thermostat do not connect directly to the blower control, but rather to the pigtails that are routed to the exterior of the air-handler cabinet.
- There is a 2 second on-delay for blower operation when there is a call for blower operation.
- There is a 30 second blower off-delay when a call for cooling or heat pump heating ends.

- There is a 75 second blower off-delay when a call for electric heating ends. This allows time for the contacts in the bi-metallic disc type heating sequencer to open which de-energizes the heater elements.

#### **(-)H2T/(-)H1A (Constant Torque) - Blower Control**

- There are two 24V outputs on the blower control for controlling the motor, one for continuous fan and one for cooling & heating operation.
- Motor speed changes are made at the motor speed terminal block instead of on the blower control.
- The control has an on-board 3 amp automotive style fuse to protect the control circuit.
- A plug on the electric heater kit wiring harness plugs into a 4 pin plug receptacle on the blower control to allow control of the electric heater by the blower control based on thermostat input.
- There is a 6-pin connector for the thermostat pigtail harness to connect to. Wires from the thermostat do not connect directly to the blower control, but rather to the pigtails that are routed to the exterior of the air-handler cabinet.
- There is no on-delay for blower operation when there is a call for blower operation.
- There is no blower off-delay provided by the blower control when a call for cooling or heat pump heating ends since a 30 second off-delay is programmed into the constant torque ECM motor.
- There is a blower off-delay programmed into the blower control when a call for electric heating ends. The delay is 45 seconds for the White-Rodgers control and 30 seconds for the UTEC control. This off-delay is added to the 30 second off delay programmed into the motor for a total off-delay of 75 or 60 seconds. This allows time for the contacts in the bi-metallic disc type heating sequencer to open which de-energizes the heater elements.

## **5.4 BLOWER**

The blower utilizes a forward curved centrifugal wheel. The blower housing is constructed from galvanized sheet metal. The motor is attached with a 4-arm belly band type mount that screws into the side of the blower housing. The control box attaches to the front of the blower housing for access through the blower access door. The blower slides into place on a track and is secured by 4 sheet metal screws.

## **5.5 TRANSFORMER**

A 40VA transformer is located inside the control box attached to the blower housing which provides 24V control voltage for both the air-handler & the outdoor unit. The transformer in 208/240V models is wired from the factory for 240V applications, but has a separate 208V tap for 208V applications. The black wires connected to the 240V tap must be moved to the 208V tap when installing the air-handler in 208V applications to assure full 24V+ control voltage for reliable operation of the system controls.

## **5.6 INDOOR COIL ASSEMBLY**

- The indoor coil slabs are a fin & tube design with enhanced aluminum fins & internally grooved aluminum tubing.
- Most models have 3 coil slabs in an N configuration, but some models have 2 coil slabs in an A configuration.
- All (-)H1P, (-)H2T, and (-)H1A air-handlers have non-bleed thermal expansion valves (TXV) for refrigerant control.
- All models have a self-draining polypropylene condensate drain pan to eliminate standing water & a painted & insulated sheet metal drip pan to catch any water drips from the coil when the air-handler is oriented in the horizontal position.
- All models have built-in sheet metal channels in various locations designed to manage condensate when the air-handler is oriented in the horizontal position, thus preventing water blow-off.
- Copper stubs are provided for field tubing connections.
- The coil assembly slides into the air-handler on sheet metal rails. The coil is installed in the factory for upflow & horizontal left orientations. The coil must be removed and re-installed into the air-handler cabinet 180° from its factory orientation. An additional set of coil support rails must be installed before the coil can be re-installed. The additional set of rails are included with the air-handler for field installation. (See Section 3.2.2)
- The TXV sensing bulb is shipped unattached & must be securely attached to the vapor line with the supplied clamp and insulated with the supplied foam insulation. (See Section 3.10)

## 6.0 ACCESSORIES & KITS

### 6.1 ELECTRIC RESISTANCE HEATER KITS

- All (-)H1P, (-)H2T, and (-)H1A models are shipped without electric resistance heat.
- Electric heat kits ranging from 3kW to 30kW are available for field installation.
- Refer to Sections 3.13.5, 3.13.6, & 3.13.7 for electric heat kit model numbers available for specific air-handler models along with electrical ratings & additional information regarding the heater kits.
- Heater kit installation instructions are provided with the heater kit.
- All heater kits utilize open wire nickel chromium heating elements.
- An automatic reset over-temperature limit is provided to shut off the heater elements should air-flow become too restricted or if the blower motor fails.
- 13kW kits and larger are designed to operate in 2-stage heat mode if so desired or can be operated as single stage if the W1 & W2 thermostat pigtails are wired together.
- 208/240V single-phase (J Voltage), 208/240V 3-phase (C Voltage) & 480V 3-phase (D Voltage) heater kits are available.
- 115V (A Voltage) heater kits are not available.
- 208/240V 3-phase (C Voltage) heater kits must be installed in J Voltage air-handlers since there are no C Voltage air-handlers available. C voltage heater kits are for 3-phase applications and allow for smaller wire & fuse/breaker size compared to single-phase J Voltage heater kits.
- The heater kit is controlled by the blower control based on thermostat inputs.
- All heater kits are available with a circuit breaker style disconnect.
- 10kW heater kits and smaller are also available with either a pull-out style disconnect or with no disconnect.
- Incoming electric power is connected directly to the heater kit power terminals.
- The heater kit is provided with 2 power wires that connect to the air-handler power terminal block, providing power to operate the blower motor and controls.
- The heater kit is also provided with a 4-pin connector that plugs into a mating plug on the blower control to allow the control of the heater based on thermostat inputs.

### 6.2 JUMPER BAR KITS

- **Jumper Bar Kit 3 Ckt. to 1 Ckt. RXBJ-A31** is used to convert single phase multiple three circuit units to a single supply circuit. Kit includes cover and screw for line side terminals.
- **Jumper Bar Kit 2 Ckt. to 1 Ckt. RXBJ-A21** is used to convert single phase multiple two circuit units to a single supply circuit. Kit includes cover and screw for line side terminals.

**NOTE:** No jumper bar kit is available to convert three phase multiple two circuit units to a single supply circuit.

### 6.3 AUXILIARY HORIZONTAL OVERFLOW PANS

Cabinet Size	Auxiliary horizontal overflow pan accessory model number
17.5 wide & 3621S	RXBM-AC48
21' & 24.5 wide except 3621S	RXBM-AC61

### 6.4 EXTERNAL FILTER BASES

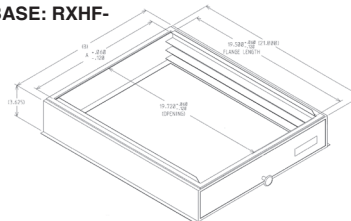
(See Figure 22)

### 6.5 COMBUSTIBLE FLOOR BASES

For high heat downflow applications. (See Section 3.2.2.)

Model Cabinet Size	Filter Size	Part Number	A	B
17	16 × 20 [406 x 508]	RXHF-17 Accommodate	15.70	17.50
21	20 × 20 [508 x 508]	RXHF-21 1 or 2	19.20	21.00
24	25 × 20 [635 x 508]	RXHF-24 filter	22.70	25.50

**FIGURE 22**  
EXTERNAL FILTER BASE: RXHF-



## 6.6 HORIZONTAL ADAPTER KITS

This horizontal adapter kit is used to convert RCH replacement coils for horizontal applications if water management parts from original coil are not usable or are unavailable. See the following table to order proper horizontal adapter kit.

Model Cabinet Size	Combustible Floor Base Model Number
17	RXHB-17
21	RXHB-21
24	RXHB-24

## 7.0 INDOOR SERVICE/MAINTENANCE

For continuing high performance, and to minimize possible equipment failure, it is essential that periodic maintenance be performed on this equipment. Consult your local dealer as to the proper frequency of maintenance and the availability of

RCH Coil Model	Horizontal Adapter Kit Model Number (Single Qty.)	Horizontal Adapter Kit Model Number (10-pak Qty.)
2417	RXHH-A02	RXHH-A02x10
3617/3621S	RXHH-A03	RXHH-A03x10
3621M/4821S/4824S	RXHH-A04	RXHH-A04x10
4824M/6024S	RXHH-A05	RXHH-A05x10
3621M/4821S/6021S*	RXHH-A06	RXHH-A06x10

\*=A Coil

a maintenance contract.

**IMPORTANT:** Before performing any service or maintenance procedures, see the Safety Information (Section 1.0) at the front of this manual. Servicing shall be performed only as recommended by the manufacturer and by qualified personnel who are trained by a training organization or manufacturer accredited to teach national competency standards that maybe be set in legislation for servicing equipment with flammable refrigerant. The achieved competence should be documents by a certificate.

### 7.1 GENERAL GUIDELINES

Prior to beginning work on systems containing A2L REFRIGERANTS, safety checks are necessary to ensure that the risk of ignition is minimized. For repair to the REFRIGERATING SYSTEM, the following procedures shall be completed prior

#### WARNING

**Units with circuit breaker(s) meet requirements as a service disconnect switch, however, if access is required to the line side (covered) of the circuit breaker, this side of the breaker(s) will be energized with the breaker(s) de-energized. Contact with the line side can cause electrical shock resulting in personal injury or death.**

to conducting work on the system:

- Work shall be undertaken under a controlled procedure so as to minimize the risk of a flammable gas or vapor being present while the work is being performed.
- All maintenance staff and others working in the local area shall be instructed on the nature of work being carried out. Work in confined spaces shall be avoided.
- The area shall be checked with an appropriate refrigerant detector prior to and during work, to ensure the technician is aware of potentially toxic or flammable atmospheres. Ensure that the leak detection equipment being used is suitable for use with all applicable refrigerants, i.e. non-sparking, adequately sealed or intrinsically safe.
- If any hot work is to be conducted on the refrigerating equipment or any associated parts, appropriate fire extinguishing equipment shall be available to hand. Have a dry powder or CO2 fire extinguisher adjacent to the charging area.
- No person carrying out work in relation to a REFRIGERATING SYSTEM which involves exposing any pipe work shall use any sources of ignition in such a manner that it may lead to the risk of fire or explosion. All possible ignition sources, including cigarette smoking, should be kept sufficiently far away from the site of installation, repairing, removing and disposal, during which refrigerant can possibly be released to the surrounding space. Prior to work taking place, the area around the equipment is to be surveyed to make sure that there are no flammable hazards or ignition risks. No Smoking signs shall be displayed.
- Ensure that the area is in the open or that it is adequately ventilated before breaking into the system or conducting any hot work. A degree of ventilation shall continue during the period that the work is carried out. The ventilation should safely disperse any released refrigerant and preferably expel it externally into the atmosphere.

### 7.2 Checks to the Refrigerant Equipment

Where electrical components are being changed, they shall be fit for the purpose and to the correct specification. At all times the manufacturer's maintenance and service guidelines shall be followed. If in doubt, consult the manufacturer's

technical department for assistance.

The following checks shall be applied to installations using A2L REFRIGERANTS:

- The actual REFRIGERANT CHARGE is in accordance with the room size within which the refrigerant containing parts are installed.
- The ventilation machinery and outlets are operating adequately and are not obstructed.
- If an indirect refrigerating circuit is being used, the secondary circuit shall be checked for the presence of refrigerant.
- Marking to the equipment continues to be visible and legible. Markings and signs that are illegible shall be corrected.
- Refrigerating pipe or components are installed in a position where they are unlikely to be exposed to any substance which may corrode refrigerant containing components, unless the components are constructed of materials which are inherently resistant to being corroded or are suitably protected against being so corroded.

### 7.3 Checks to Electrical Devices

Repair and maintenance to electrical components shall include initial safety checks and component inspection procedures. If a fault exists that could compromise safety, then no electrical supply shall be connected to the circuit until it is satisfactorily dealt with. If the fault cannot be corrected immediately but it is necessary to continue operation, an adequate temporary solution shall be used. This shall be reported to the owner of the equipment so all parties are advised. Initial safety checks shall include:

- That capacitors are discharged: this shall be done in a safe manner to avoid possibility of sparking.
- That no live electrical components and wiring are exposed while charging, recovering or purging the system.
- That there is continuity of earth bonding.

### 7.4 Repairs to Sealed Components

During repairs to sealed components, all electrical supplies shall be disconnected from the equipment being worked upon prior to any removal of sealed covers, etc. If it is absolutely necessary to have an electrical supply to equipment during servicing, then a permanently operating form of leak detection shall be located at the most critical point to warn of a potentially hazardous situation.

Particular attention shall be paid to the following to ensure that by working on electrical components, the casing is not altered in such a way that the level of protection is affected. This shall include damage to cables, excessive number of connections, terminals not made to original specification, damage to seals, incorrect fitting of glands, etc.

- Ensure that the apparatus is mounted securely.
- Ensure that seals or sealing materials have not degraded to the point that they no longer serve the purpose of preventing the ingress of flammable atmospheres.
- Replacement parts shall be in accordance with the manufacturer's specifications. Sealed electrical components shall be replaced.

### 7.5 Repair to Intrinsically Safe Components

Do not apply any permanent inductive or capacitance loads to the circuit without ensuring that this will not exceed the permissible voltage and current permitted for the equipment in use.

Intrinsically safe components are the only types that can be worked on while live in the presence of a flammable atmosphere. The test apparatus shall be at the correct rating. Replace components only with parts specified by the manufacturer. Other parts may result in the ignition of refrigerant in the atmosphere from a leak.

**NOTE:** The use of silicon sealant can inhibit the effectiveness of some types of leak detection equipment. Intrinsically safe components must be replaced and do not have to be isolated prior to working on them.

### 7.6 Cabling

Check that cabling will not be subject to wear, corrosion, excessive pressure, vibration, sharp edges or any other adverse environmental effects. The check shall also take into account the effects of aging or continual vibration from sources such as compressors or fans.

### 7.7 Detection of Flammable Refrigerants

Under NO circumstances shall potential sources of ignition be used in the searching for or detection of refrigerant leaks. A halide torch (or any other detector using a naked flame) shall NOT be used.

The following leak detection methods are deemed acceptable for all refrigerant systems:

- Electronic leak detectors may be used to detect refrigerant leaks but, in the case of FLAMMABLE REFRIGERANTS, the sensitivity may not be adequate, or may need re-calibration. (Detection equipment shall be calibrated in a refrigerant-free area.) Ensure that the detector is not a potential source of ignition and is suitable for the refrigerant used. Leak detection equipment shall be set at a percentage of the LFL of the refrigerant and shall be calibrated to the refrigerant employed, and the appropriate percentage of gas (25 % maximum) is confirmed.
- Leak detection fluids (such as bubble method or fluorescent method agents) are also suitable for use with most refrigerants but the use of detergents containing chlorine shall be avoided as the chlorine may react with the refrigerant and corrode the copper pipe-work.

If a leak is suspected, all naked flames shall be removed/extinguished. If a leakage of refrigerant is found which requires

brazing, all of the refrigerant shall be recovered from the system, or isolated (by means of shut off valves) in a part of the system remote from the leak. Removal of refrigerant shall be according to the next section (7.8 Removal and Evacuation).

## 7.8 Removal and Evacuation

When breaking into the refrigerant circuit to make repairs or for any other purpose, it is important that best practice is followed for A2L refrigerants. The following procedure shall be adhered to safely remove refrigerant following local and national regulations:

Evacuate

Purge the circuit with inert gas (optional for A2L)

Evacuate (optional for A2L)

Continuously flush or purge with inert gas when using flame to open circuit

Open the circuit

The refrigerant charge shall be recovered into the correct recovery cylinders if venting is not allowed by local and national codes. For appliances containing A2L refrigerants, The system shall be purged with oxygen-free nitrogen to render the appliance safe for flammable refrigerants.

This process might need to be repeated several times. Compressed air or oxygen shall NOT be used for purging refrigerant systems. The outlet for the vacuum pump shall NOT be close to any potential ignition sources, and ventilation shall be available.

For appliances containing flammable refrigerants, refrigerants purging shall be achieved by breaking the vacuum in the system with oxygen-free nitrogen and continuing to fill until the working pressure is achieved, then venting to atmosphere, and finally pulling down to a vacuum (optional for A2L). This process shall be repeated until no refrigerant is within the system (optional for A2L). When the final oxygen-free nitrogen charge is used, the system shall be vented down to atmospheric pressure to enable work to take place. The outlet for the vacuum pump shall NOT be close to any potential ignition sources, and ventilation shall be available.

## 7.9 Charging Procedures

- Ensure that contamination of different refrigerants does not occur when using charging equipment. Hoses or lines shall be as short as possible to minimize the amount of refrigerant contained in them.
- Cylinders shall be kept in an appropriate position according to the instructions.
- Ensure that the REFRIGERATING SYSTEM is earthed prior to charging the system with refrigerant.
- Label the system when charging is complete (if not already).
- Extreme care shall be taken not to overfill the REFRIGERATING SYSTEM.

Prior to recharging the system, it shall be pressure-tested with the appropriate purging gas. The system shall be leak-tested on completion of charging but prior to commissioning. A follow up leak test shall be carried out prior to leaving the site.

For more in-depth charging procedures, refer to Refrigerant Charging section of the Outdoor Installation Instructions.

## 7.10 Recovery

When removing refrigerant from a system, either for servicing or decommissioning, it is recommended good practice that all refrigerants are removed safely.

When transferring refrigerant into cylinders, ensure that only appropriate refrigerant recovery cylinders are employed. Ensure that the correct number of cylinders for holding the total system charge is available. All cylinders to be used are designated for the recovered refrigerant and labeled for that refrigerant (i.e. special cylinders for the recovery of refrigerant). Cylinders shall be complete with pressure-relief valve and associated shut-off valves in good working order. Empty recovery cylinders are evacuated and, if possible, cooled before recovery occurs.

The recovery equipment shall be in good working order with a set of instructions concerning the equipment that is at hand and shall be suitable for the recovery of the A2L refrigerant. If in doubt, the manufacturer should be consulted. In addition, a set of calibrated weighing scales shall be available and in good working order. Hoses shall be complete with leak-free disconnect couplings and in good condition.

The recovered refrigerant shall be processed according to local legislation in the correct recovery cylinder, and the relevant waste transfer note arranged. Do not mix refrigerants in recovery units and especially not in cylinders. If compressors or compressor oils are to be removed, ensure that they have been evacuated to an acceptable level to make certain that refrigerant does not remain within the lubricant. The compressor body shall not be heated by an open flame or other ignition sources to accelerate this process. When oil is drained from a system, it shall be carried out safely

## 7.11 Decommissioning and Labeling

Before carrying out this procedure, it is essential that the technician is completely familiar with the equipment and all its detail. It is recommended good practice that all refrigerants are recovered safely. Prior to the task being carried out, an oil and refrigerant sample shall be taken in case analysis is required prior to re-use of recovered refrigerant. It is essential

that electrical power is available before the task is commenced.

- a) Become familiar with the equipment and its operation.
- b) Isolate system electrically.
- c) Before attempting the procedure, ensure that:  
Mechanical handling equipment is available, if required, for handling refrigerant cylinders;  
All personal protective equipment is available and being used correctly;  
The recovery process is supervised at all times by a competent person;  
Recovery equipment and cylinders conform to the appropriate standards.

- d) Pump down refrigerant system, if possible.
- e) If a vacuum is not possible, make a manifold so that refrigerant can be removed from various parts of the system.
- f) Make sure that cylinder is situated on the scales before recovery takes place.
- g) Start the recovery machine and operate in accordance with instructions.
- h) Do not overfill cylinders (no more than 80 % volume liquid charge).
- i) Do not exceed the maximum working pressure of the cylinder, even temporarily.
- j) When the cylinders have been filled correctly and the process completed, make sure that the cylinders and the equipment are removed from site promptly and all isolation valves on the equipment are closed off.
- k) Recovered refrigerant shall not be charged into another REFRIGERATING SYSTEM unless it has been cleaned and checked.

Equipment shall be labeled stating that it has been decommissioned and emptied of refrigerant. The label shall be dated and signed. Ensure that there are labels on the equipment stating the equipment contains FLAMMABLE REFRIGERANT.

## 7.12 AIR FILTER

Check the system filter every ninety days or as often as found to be necessary and if obstructed, clean or replace at once.

A qualified installer, service agency or HVAC professional should instruct the homeowner on how to access filters for regular maintenance.

**IMPORTANT:** Do not operate the system without a filter in place.

- New filters are available from a local distributor or home supply retailer.

## 7.13 INDOOR COIL, DRAIN PAN, DRAIN LINE

Inspect the indoor coil, drain pan, and drain line once each year for cleanliness and clean as necessary. Be sure to check the finned surface on the return side of the coil. It may be necessary to remove the air-filter and use a mirror and flashlight to view the return side of the coil.

NOTE: A proper filter is the best defense against a dirty coil. Regardless of the filter choice, proper air-flow and velocity also play a crucial role in how effective a filter will be. Most filters will lose their effectiveness when face velocities exceed 300 - 400 feet per minute. Excessive air velocity can allow particles to pass right through the media. Additionally, loaded or restrictive filters may lose their shape in higher air velocity applications and allow unfiltered air to bypass the filter altogether around the sides.

**IMPORTANT:** Coil and Drainpan Cleaning Method

Clean the finned surface of the indoor coil by rinsing the coil from both sides with clean warm water and/or with a vacuum with a soft brush attachment to remove accumulated contaminants and lint. It is important not to allow the tool to damage or bend the fins. Many chemical cleaners will attack the aluminum tubes which can cause refrigerant leaks. Therefore, use only clean warm water for cleaning aluminum tube evaporator coils. Do not use caustic household drain cleaners or bleach in the condensate pan or near the indoor coil as they will damage the aluminum fins and tubes.

## 7.14 BLOWER MOTOR AND WHEEL

Inspect the blower motor and wheel for cleanliness. It should be several years before it would become necessary to clean the blower motor and wheel.

- If it becomes necessary to remove the blower assembly from the unit, see instructions on removal and replacement of motor, blower, and blower wheel in Sections 7.5-7.7 below.
- The blower motor and wheel may be cleaned by using a vacuum with a soft brush attachment. Remove grease with a mild solvent such as hot water and detergent. Be careful not to disturb the balance weights (clips) on the blower wheel blades. Do not drop or bend wheel as balance will be affected.

## 7.15 MOTOR LUBRICATION

The blower motor sleeve bearings are pre-lubricated by the motor manufacturer and do not have oiling ports. Motor should operate for an indefinite period of time without additional lubrication.

## 7.16 BLOWER ASSEMBLY REMOVAL & REPLACEMENT

Removing the blower assembly is not normally required for normal service and maintenance. Removal is necessary for replacement of defective parts such as motor, blower wheel. After extended use, removal of the blower assembly may become necessary for a thorough cleaning of the blower motor and wheel.

### **WARNING**

If removal of the blower assembly is required, all disconnect switches supplying power to the equipment must be de-energized and locked (if not in sight of unit) so the field power wires can be safely removed from the blower assembly. Failure to do so can cause electrical shock resulting in personal injury or death.

- Mark field power supply wiring (for replacement) attached to terminal block or circuit breaker(s) on blower assembly. Remove wiring from terminal block or circuit breaker(s).
- Mark low voltage control wiring (for replacement) where attached to unit control pigtailed on right side of blower housing. Remove wire nuts attaching field control wiring to unit control pigtailed.
- Remove 4 screws holding blower assembly to front channel of cabinet and pull blower assembly from cabinet.
- To replace blower assembly, slide blower assembly into blower deck. Make sure blower assembly engages lances in deck properly. If assembly hangs up, check to make sure top and bottom are lined up in proper locations.
- Slide blower assembly to back of cabinet and make sure it is completely engaged.
- Replace 4 screws holding blower assembly to front channel of cabinet. Take care not to strip screws.
- Replace low voltage control wiring with wire nuts and make sure wiring is per the wiring diagram and all connections are tight and secure.
- Replace field power wiring to terminal block or circuit breaker(s) on control area of blower assembly. Make sure wires are connected per the wiring diagram. Tighten supply power wiring securely to terminals lugs.
- Make sure wiring is within cabinet and will not interfere with access door. Make sure there is proper separation between low voltage control wiring and field power wiring.
- Replace blower assembly control access panel before energizing equipment.

## **7.17 MOTOR REPLACEMENT**

With the blower assembly removed, the indoor blower motor can be removed and replaced using the following procedure:

- Remove motor leads from the motor capacitor and blower control for (-)H1P/(-)H1A4821ST or motor terminals for (-)H2T/(-)H1A (constant torque) models. Note lead locations for ease of reassembly. Pull leads from plastic bushing in blower side.
- Loosen the set screw holding blower wheel onto the motor shaft. The shaft extends through blower hub so that a wrench can be used on the extended shaft to break the shaft loose if necessary. Be careful not to damage shaft. A wheel puller can be used on the groove in the blower hub if necessary.
- Remove 4 screws holding the motor mounts to the blower side and remove motor mount assembly from blower assembly.
- Remove the screw on the belly band strap around the motor shell and remove the 4 mounts from motor.
- Install (four) motor mounts and the belly band strap on the new motor using the screws removed in the previous step.
- Insert the motor shaft through the hub in blower wheel and orient motor to original position with motor leads and motor label facing the front of blower (control area).
- Reassemble 4 screws through motor mounts into blower side. Do not overtorque screws.
- Turn motor shaft so that flat on shaft is located under blower wheel setscrew, and blower wheel is centered in blower housing with the same distance on each side between the inlet orifice and outside of blower wheel. Tighten setscrew on motor shaft. Turn wheel by hand to make sure it runs true without hitting blower sides.
- Reassemble motor wiring to capacitor and blower control for (-)H1P/(-)H1A4821ST or motor terminals for (-)H2T/(-)H1A (constant torque) models, making sure that wires match wiring diagram and are tight and secure.

## **7.18 BLOWER WHEEL REPLACEMENT**

- Hold blower wrap down into position and replace screws holding blower wrap to blower sides.
- See motor replacement and blower assembly instructions for remaining assembly procedure.

## **7.19 REPLACEMENT PARTS**

Any replacement part used to replace parts originally supplied on equipment must be the same as or an approved alternate to the original part supplied. The manufacturer will not be responsible for replacement parts not designed to physically fit or operate within the design parameters the original parts were selected for.

These parts include but are not limited to: Circuit breakers, heater controls, heater limit controls, heater elements, motor, motor capacitor, blower control, control transformer, blower wheel, indoor coil and sheet metal parts.

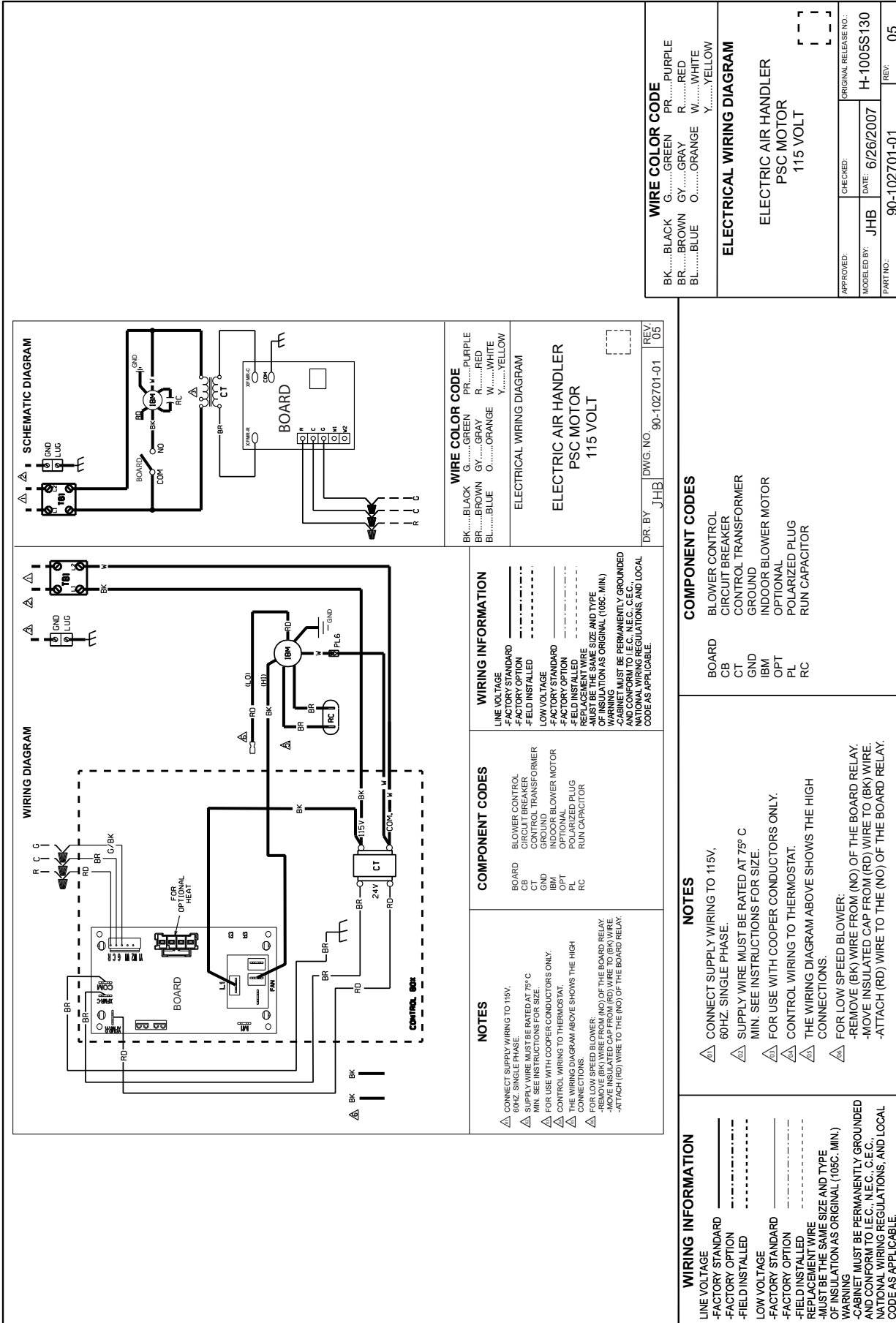
When ordering replacement parts, it is necessary to order by part number and include with the order the complete model number and serial number from the unit data plate. (See Parts List for unit component part numbers).

## 8.0 DIAGNOSTICS

Problem	Possible Cause (Suggested Fix)
Blower Motor will not operate	<ul style="list-style-type: none"> <li>• Failed run capacitor on (-)H1P/(-)H1A4821ST (replace)</li> <li>• Failed motor (replace)</li> <li>• Failed motor control module on (-)H2T/(-)H1A (constant torque) models (replace module)</li> <li>• Blown 3A fuse on blower control (check for control circuit short, replace fuse)</li> <li>• Loose wiring connection or broken wire (check connections &amp; wiring)</li> <li>• Failed transformer (replace)</li> <li>• Failed blower control (replace)</li> <li>• Disconnect breaker is turned off or has tripped due to over-current or shorted circuit (check for shorts, reset breaker)</li> </ul>
Excessive vibration	<ul style="list-style-type: none"> <li>• Blower wheel out of balance (replace or clean blower wheel)</li> </ul>
Water overflowing drain pan	<ul style="list-style-type: none"> <li>• Plugged drain (clear drain)</li> <li>• Unit not level (level unit)</li> </ul>
Electric heater not heating properly or not heating at all, but blower motor is operating	<ul style="list-style-type: none"> <li>• Over temperature limit has tripped (check for low air-flow)</li> <li>• Over temperature limit has failed (replace)</li> <li>• Sequencer or contactor has failed (replace)</li> <li>• One or more heating elements have burned out (replace)</li> </ul>
Coil is frozen up	<ul style="list-style-type: none"> <li>• System low on refrigerant charge (check for leaks &amp; adjust charge)</li> <li>• Dirty return air filter (replace filter)</li> <li>• Inadequate air-flow due to incorrect blower motor speed selected (select higher speed) or excessively restrictive duct system (correct duct system)</li> </ul>
Excessive air-flow	<ul style="list-style-type: none"> <li>• Incorrect blower motor speed selected (select lower speed)</li> </ul>
Water blow-off from coil	<ul style="list-style-type: none"> <li>• Excessive air-flow (select lower blower motor speed)</li> <li>• Contaminants on coil fins (clean coil)</li> <li>• Damaged coil fins (comb out fins or replace coil)</li> </ul>
TXV not controlling properly	<ul style="list-style-type: none"> <li>• TXV bulb not positioned correctly or clamp not tight (Check position of TXV sensing bulb and tightness of clamp)</li> <li>• Failed TXV (replace)</li> <li>• Plugged TXV inlet screen (clean or replace screen or replace TXV)</li> </ul>
Blower Constantly Running	<ul style="list-style-type: none"> <li>• A2L Sensor Failure (Replace RDS if Necessary)</li> </ul>

# 9.0 WIRING DIAGRAMS

## 9.1 WIRING DIAGRAM (-)H1P/(-)H1AY4821ST - 115V



**WIRE COLOR CODE**  
 BK.....BLACK G.....GREEN PR.....PURPLE  
 BR.....BROWN GR.....GRAY R.....RED  
 BL.....BLUE O.....ORANGE W.....WHITE  
 Y.....YELLOW

**ELECTRICAL WIRING DIAGRAM**

**ELECTRIC AIR HANDLER PSC MOTOR 115 VOLT**

DR. BY: JHB DWG. NO. 90-102701-01 REV. 05

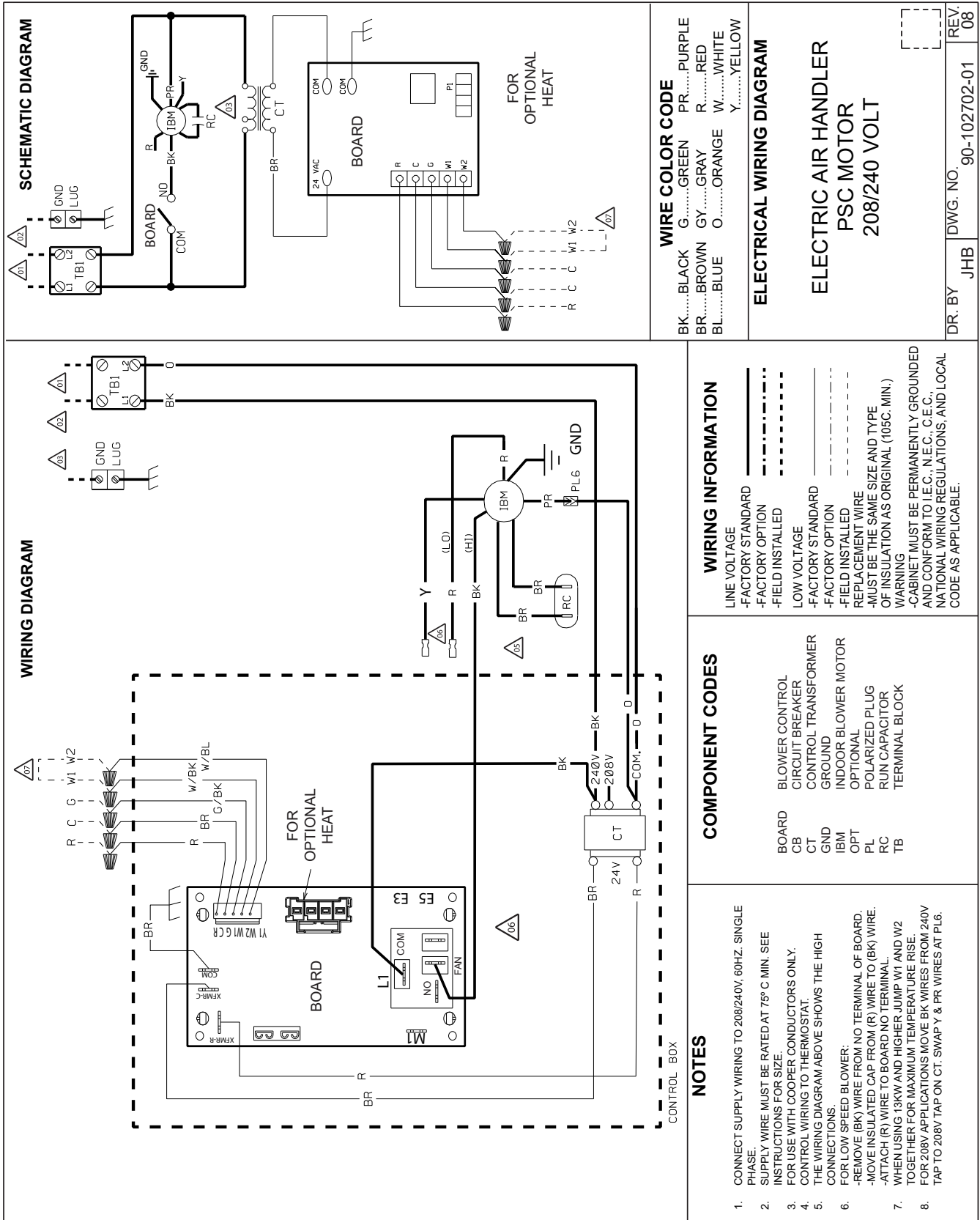
**WIRE COLOR CODE**  
 BK.....BLACK G.....GREEN PR.....PURPLE  
 BR.....BROWN GR.....GRAY R.....RED  
 BL.....BLUE O.....ORANGE W.....WHITE  
 Y.....YELLOW

**ELECTRICAL WIRING DIAGRAM**

**ELECTRIC AIR HANDLER PSC MOTOR 115 VOLT**

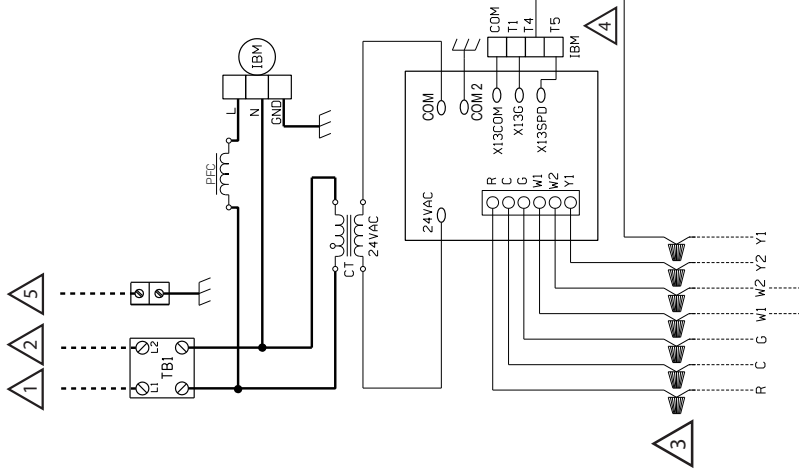
APPROVED: \_\_\_\_\_ CHECKED: \_\_\_\_\_ ORIGINAL RELEASE NO.:  
 MODELED BY: JHB DATE: 6/26/2007 H-1005S130  
 PART NO.: 90-102701-01 REV. 05

# 9.2 WIRING DIAGRAM (-)H1P/(-)H1AY4821ST - 208/240V



# 9.3 WIRING DIAGRAM (-)H2T/(-)H1A (CONSTANT TORQUE) - 115V

## WIRING SCHEMATIC



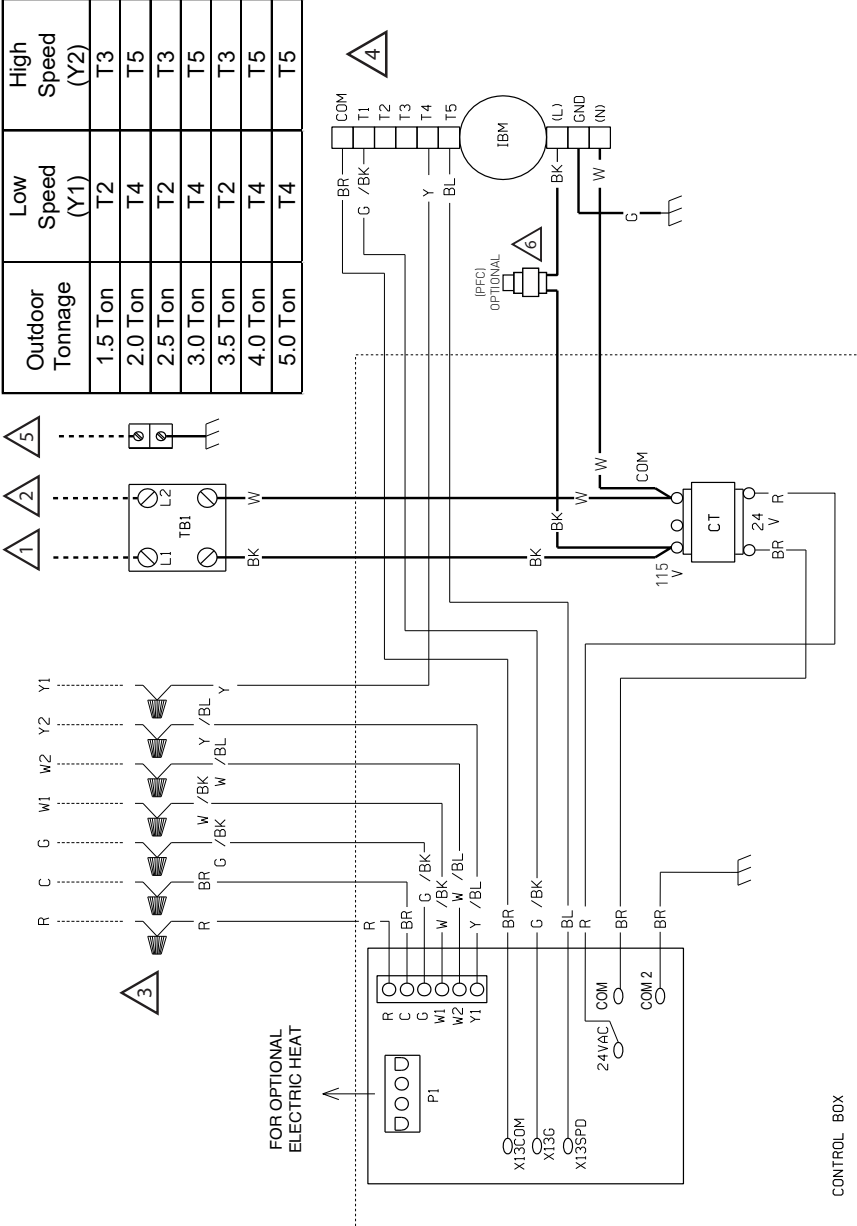
**WIRE COLOR CODE**  
 BK...BLACK G.....GREEN PR.....PURPLE  
 BR...BROWN GY.....GRAY R.....RED  
 BL...BLUE O.....ORANGE W.....WHITE  
 Y.....YELLOW

**WIRING DIAGRAM / SCHEMATIC**

ELECTRICAL AIR HANDLER -  
 115V - X-13 MOTOR

APPROVED: VYM  
 MODELED BY: VYM  
 PART NO.: 90-101897-15  
 CHECKED: 6/30/2021  
 DATE: 6/30/2021  
 ORIGINAL RELEASE NO.: 101443  
 REV: 04

## WIRING DIAGRAM



## COMPONENT CODES

- CT CONTROL TRANSFORMER
- GND GROUND
- IBM INDOOR BLOWER MOTOR
- OPT OPTIONAL
- PFC POWER FACTOR CHOKE
- TB TERMINAL BLOCK (HI VOLT)
- WIRE NUT

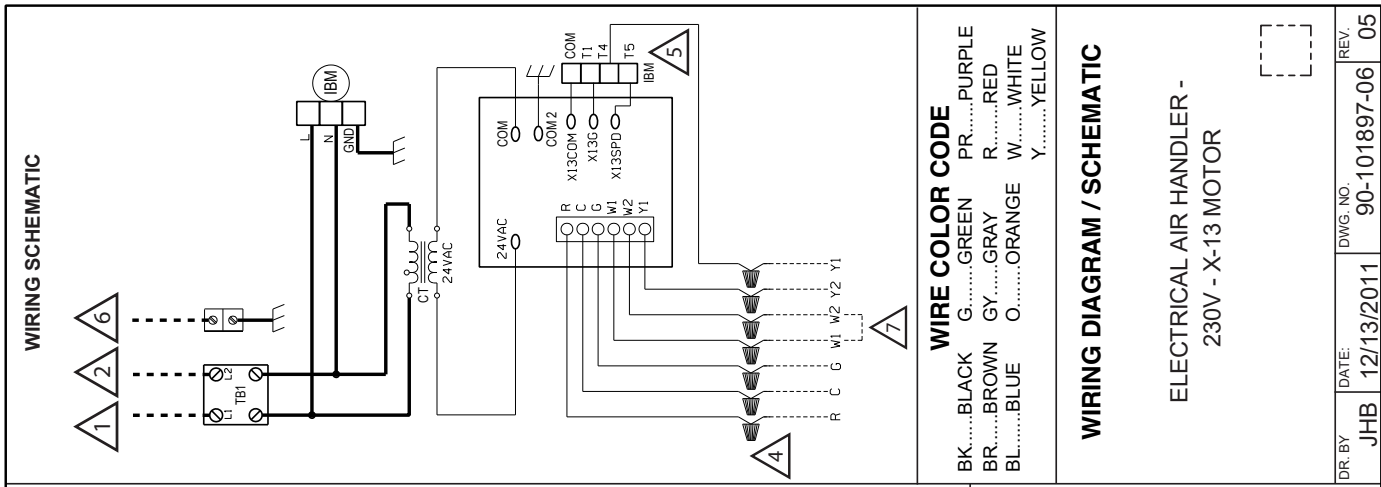
## NOTES

- 1 CONNECT SUPPLY WIRING FOR 115 V VOLTAGE, PHASE AND HERTZ SHOWN ON RATING PLATE.
- 2 SUPPLY WIRE MUST BE RATED AT 75° C MIN. SEE INSTRUCTIONS FOR SIZE.
- 3 CONTROL WIRING TO THERMOSTAT.
- 4 BLOWER SPEED SELECT (BL AND Y1 WIRES) ARE FACTORY WIRED TO HIGH SPEED TAPS 4 AND 5 RESPECTIVELY. SEE TABLE FOR OTHER TONNAGE CONFIGURATIONS.
- 5 FOR USE WITH COPPER CONDUCTORS ONLY.
- 6 FOR USE WITH ONLY 3/4 AND 1 HP MOTORS.
- 7 HEATER KIT CANNOT BE USED ON 115V "A" OR "L" AIRHANDLER MODELS.

## WIRING INFORMATION

- LINE VOLTAGE
- FACTORY STANDARD
- FACTORY OPTION
- FIELD INSTALLED
- LOW VOLTAGE
- FACTORY STANDARD
- FACTORY OPTION
- FIELD INSTALLED
- REPLACEMENT WIRE
- MUST BE THE SAME SIZE AND TYPE OF INSULATION AS ORIGINAL (105C. MIN.)
- WARNING
- CABINET MUST BE PERMANENTLY GROUNDED AND CONFORM TO I.E.C., N.E.C., C.E.C., NATIONAL WIRING REGULATIONS, AND LOCAL CODE AS APPLICABLE.

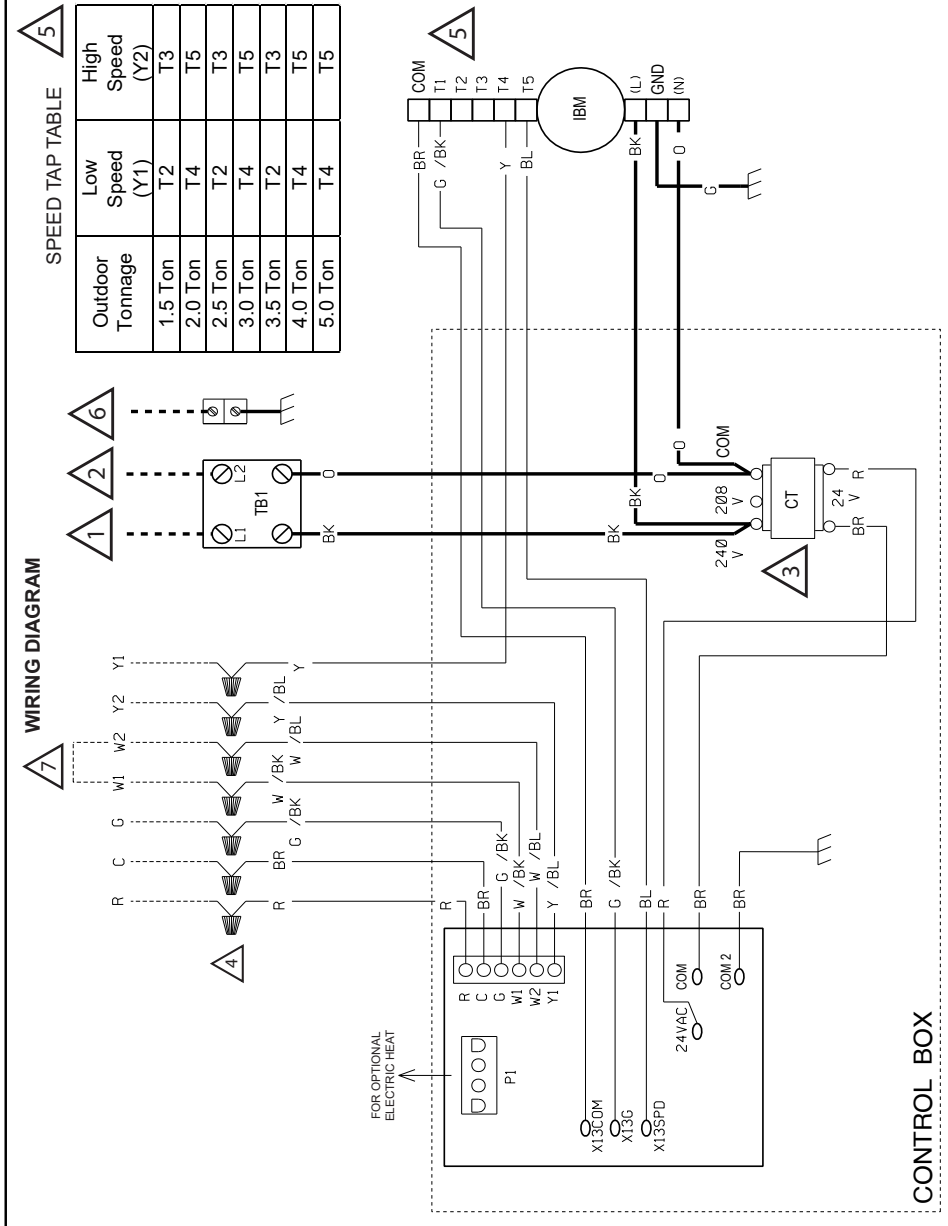
# 9.4 WIRING DIAGRAM (-)H2T/(-)H1A (CONSTANT TORQUE) - 230V



**WIRE COLOR CODE**  
 BK.....BLACK G.....GREEN PR.....PURPLE  
 BR.....BROWN GY.....GRAY R.....RED  
 BL.....BLUE O.....ORANGE W.....WHITE  
 Y.....YELLOW

**WIRING DIAGRAM / SCHEMATIC**  
 ELECTRICAL AIR HANDLER -  
 230V - X-13 MOTOR

DR. BY: **JHB** DATE: **12/13/2011** DWG. NO.: **90-101897-06** REV.: **05**



### WIRING INFORMATION

LINE VOLTAGE  
 -FACTORY STANDARD  
 -FACTORY OPTION  
 -FIELD INSTALLED

LOW VOLTAGE  
 -FACTORY STANDARD  
 -FACTORY OPTION  
 -FIELD INSTALLED

REPLACEMENT WIRE  
 -MUST BE THE SAME SIZE AND TYPE OF INSULATION AS ORIGINAL (105C. MIN.)  
**WARNING**  
 -CABINET MUST BE PERMANENTLY GROUNDED AND CONFORM TO I.E.C., N.E.C., C.E.C. NATIONAL WIRING REGULATIONS, AND LOCAL CODE AS APPLICABLE.

### COMPONENT CODES

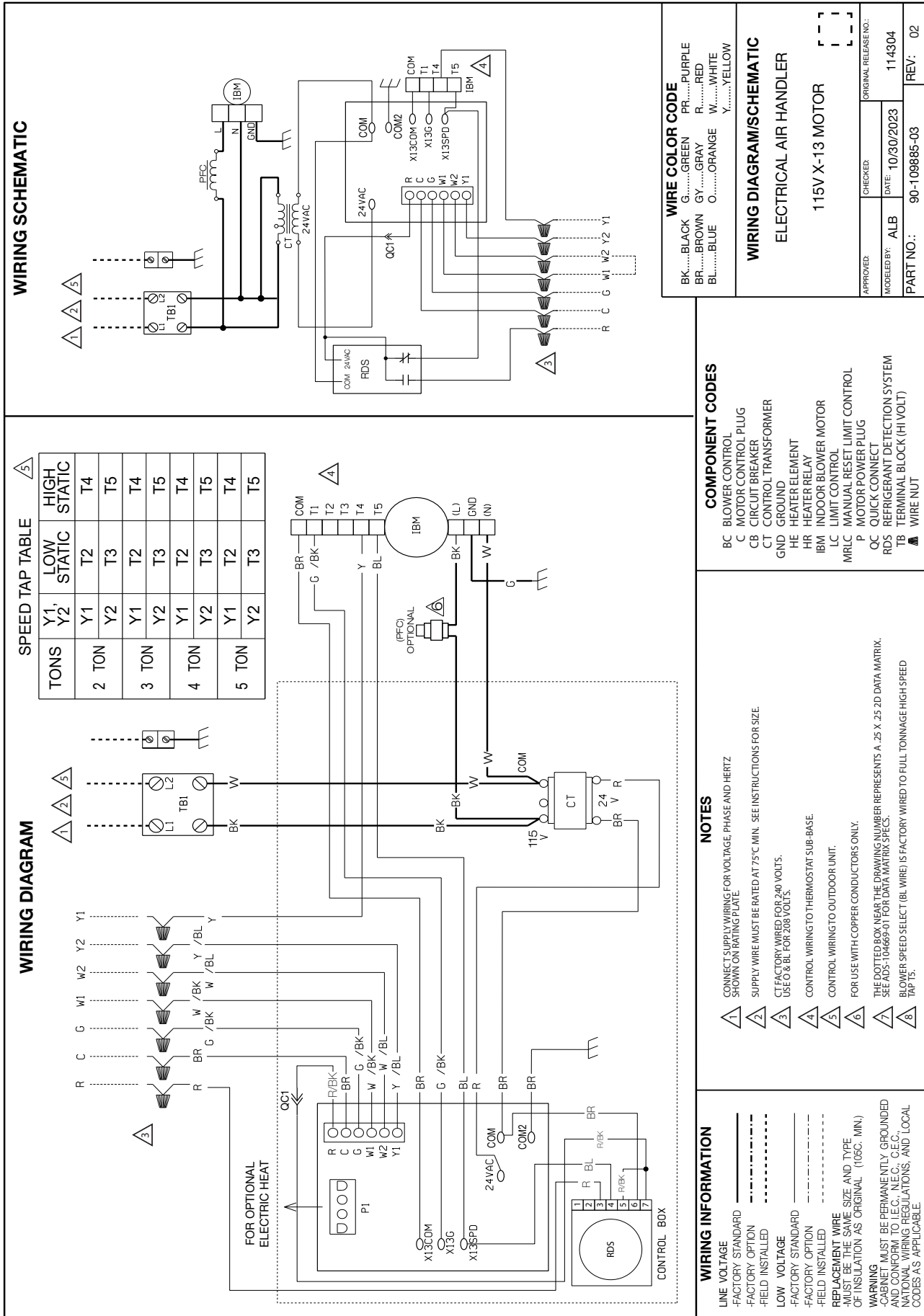
CT CONTROL TRANSFORMER  
 GND GROUND  
 IBM INDOOR BLOWER MOTOR  
 TB TERMINAL BLOCK (HI VOLT)  
 WIRE NUT

### NOTES

- CONNECT SUPPLY WIRING FOR VOLTAGE, PHASE AND HERTZ SHOWN ON RATING PLATE.
- SUPPLY WIRE MUST BE RATED AT 75° C MIN. SEE INSTRUCTIONS FOR SIZE.
- CT FACTORY WIRED FOR 240V VOLTS. MOVE WIRES FROM 240V TO 208V FOR 208V OPERATION.
- CONTROL WIRING TO THERMOSTAT.
- BLOWER SPEED SELECT (BL AND YL WIRES) ARE FACTORY WIRED TO HIGH SPEED TAPS 4 AND 5 RESPECTIVELY. SEE TABLE FOR OTHER TONNAGE CONFIGURATIONS.
- FOR USE WITH COPPER CONDUCTORS ONLY.
- WHEN USING 13KW AND HIGHER IT IS RECOMMENDED TO JUMP W1 AND W2 TOGETHER FOR MAXIMUM TEMPERATURE RISE.



# 9.6 WIRING DIAGRAM (-)H2T/(-)H1A (CONSTANT TORQUE) - 115V



### WIRE COLOR CODE

BK.....BLACK	G.....GREEN	PR.....PURPLE
BR.....BROWN	GY.....GRAY	R.....RED
BL.....BLUE	O.....ORANGE	W.....WHITE
	Y.....YELLOW	

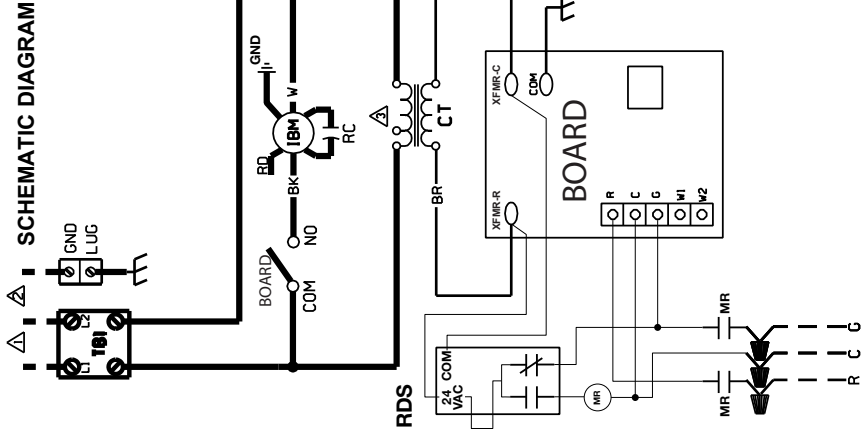
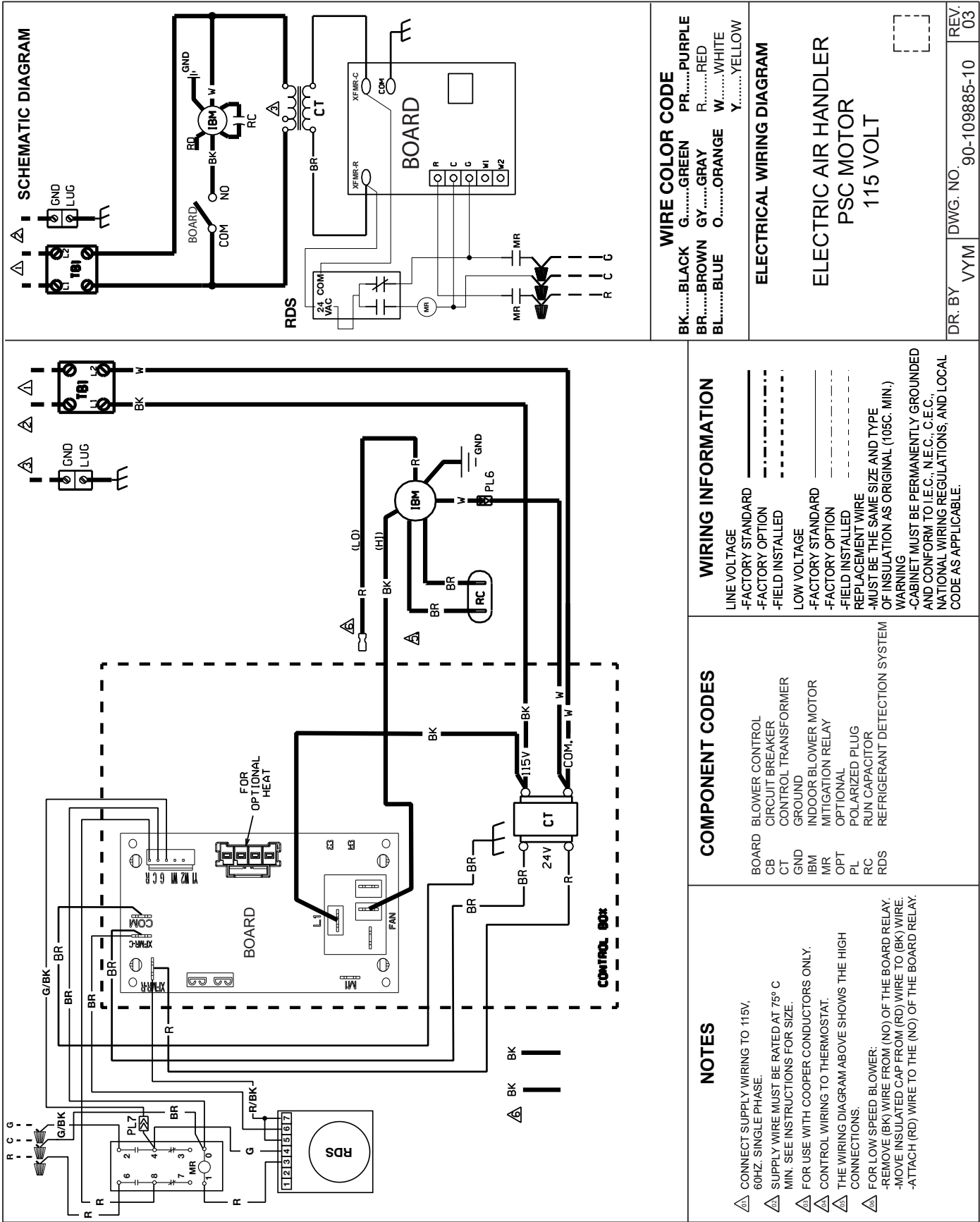
### WIRING DIAGRAM/SCHEMATIC

#### ELECTRICAL AIR HANDLER

#### 115V X-13 MOTOR

APPROVED:	CHECKED:	ORIGINAL RELEASE NO.:
MODELED BY: ALB	DATE: 10/30/2023	114304
PART NO.:	90-109885-03	REV: 02

# 9.7 WIRING DIAGRAM (-)H1P/(-)H1AY4821ST - 115V



**WIRE COLOR CODE**  
 BK.....BLACK G.....GREEN PR.....PURPLE  
 BR.....BROWN GR.....GRAY R.....RED  
 BL.....BLUE O.....ORANGE W.....WHITE  
 Y.....YELLOW

**ELECTRICAL WIRING DIAGRAM**

**ELECTRIC AIR HANDLER  
 PSC MOTOR  
 115 VOLT**

DR. BY VYM DWG. NO. 90-109885-10 REV. 03

**WIRING INFORMATION**

- LINE VOLTAGE
- FACTORY STANDARD
- FACTORY OPTION
- FIELD INSTALLED
- LOW VOLTAGE
- FACTORY STANDARD
- FACTORY OPTION
- FIELD INSTALLED
- REPLACEMENT WIRE
- MUST BE THE SAME SIZE AND TYPE OF INSULATION AS ORIGINAL (105C. MIN.)
- WARNING
- CABINET MUST BE PERMANENTLY GROUNDED AND CONFORM TO I.E.C., N.E.C., C.E.C., NATIONAL WIRING REGULATIONS, AND LOCAL CODE AS APPLICABLE.

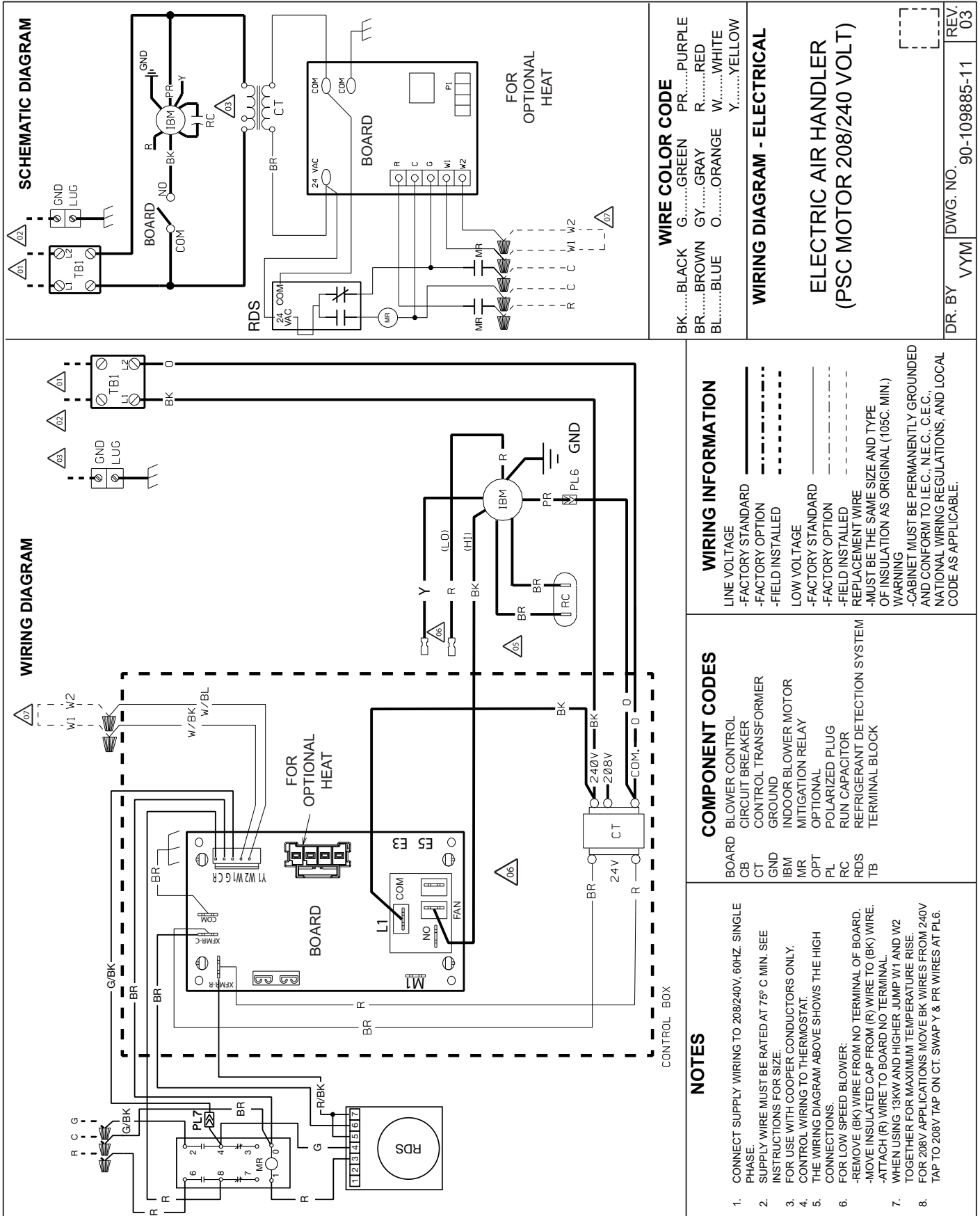
**COMPONENT CODES**

- BOARD BLOWER CONTROL
- CB CIRCUIT BREAKER
- CT CONTROL TRANSFORMER
- GND GROUND
- IBM INDOOR BLOWER MOTOR
- MR MITIGATION RELAY
- OPT OPTIONAL
- PL POLARIZED PLUG
- RC RUN CAPACITOR
- RDS REFRIGERANT DETECTION SYSTEM

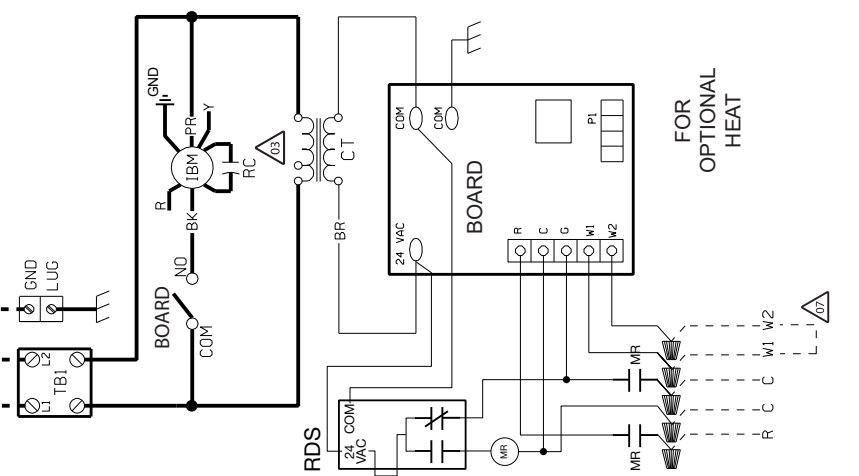
**NOTES**

- CONNECT SUPPLY WIRING TO 115V, 60HZ. SINGLE PHASE.
- SUPPLY WIRE MUST BE RATED AT 75° C MIN. SEE INSTRUCTIONS FOR SIZE.
- FOR USE WITH COOPER CONDUCTORS ONLY.
- CONTROL WIRING TO THERMOSTAT CONNECTIONS.
- FOR LOW SPEED BLOWER:  
 -REMOVE (BK) WIRE FROM (NO) OF THE BOARD RELAY.  
 -MOVE INSULATED CAP FROM (RD) WIRE TO (BK) WIRE.  
 -ATTACH (RD) WIRE TO THE (NO) OF THE BOARD RELAY.

# 9.8 WIRING DIAGRAM (-)H1P/(-)H1AY4821ST - 208/240V



### SCHEMATIC DIAGRAM



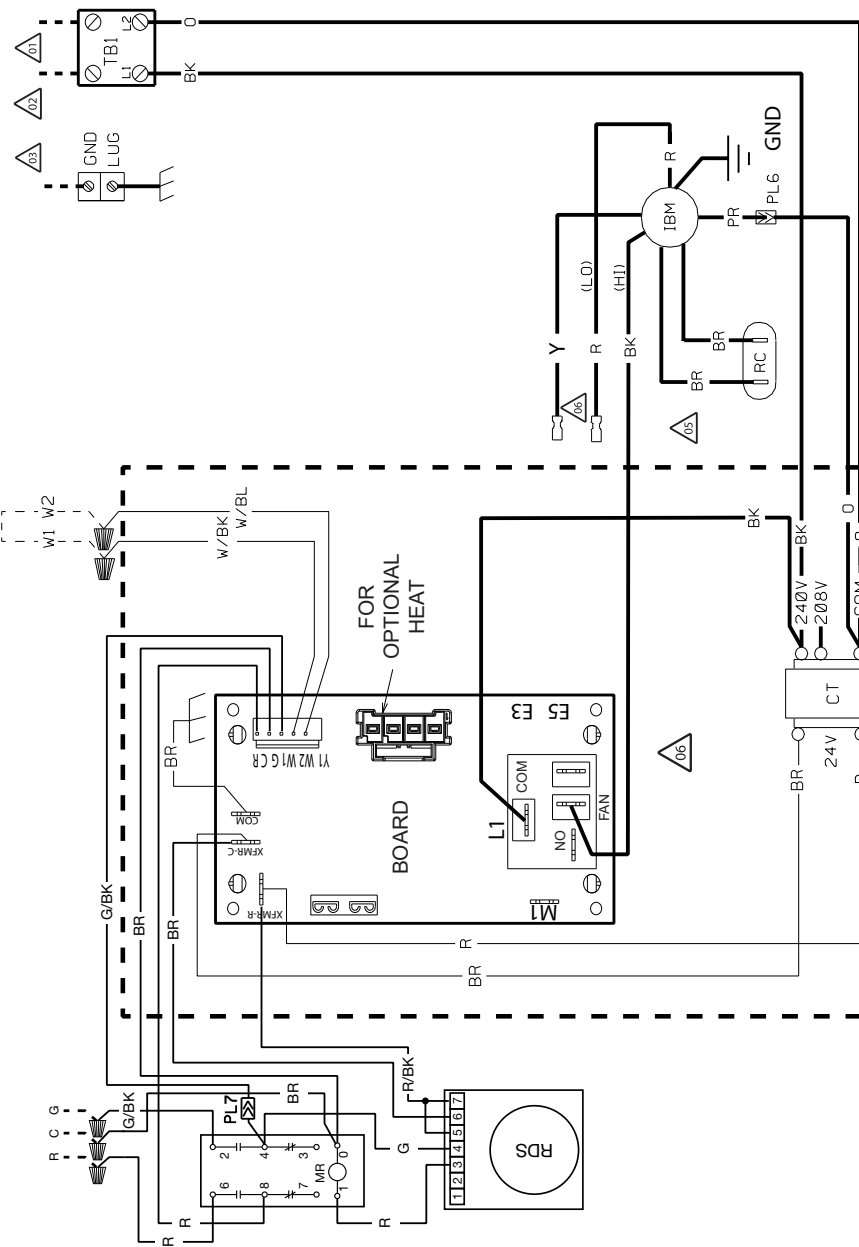
**WIRE COLOR CODE**  
 BK.....BLACK G.....GREEN PR.....PURPLE  
 BR.....BROWN GY.....GRAY R.....RED  
 BL.....BLUE O.....ORANGE W.....WHITE  
 Y.....YELLOW

### WIRING DIAGRAM - ELECTRICAL

**ELECTRIC AIR HANDLER  
 (PSC MOTOR 208/240 VOLT)**

DR. BY **YVM** DWG. NO. **90-109885-11** REV. **03**

### WIRING DIAGRAM



### WIRING INFORMATION

- LINE VOLTAGE \_\_\_\_\_
- FACTORY STANDARD \_\_\_\_\_
- FACTORY OPTION - - - - -
- FIELD INSTALLED - - - - -
- LOW VOLTAGE \_\_\_\_\_
- FACTORY STANDARD \_\_\_\_\_
- FACTORY OPTION - - - - -
- FIELD INSTALLED - - - - -
- REPLACEMENT WIRE \_\_\_\_\_
- MUST BE THE SAME SIZE AND TYPE OF INSULATION AS ORIGINAL (105C. MIN.)
- WARNING \_\_\_\_\_
- CABINET MUST BE PERMANENTLY GROUNDED AND CONFORM TO I.E.C., N.E.C., C.E.C., NATIONAL WIRING REGULATIONS, AND LOCAL CODE AS APPLICABLE.

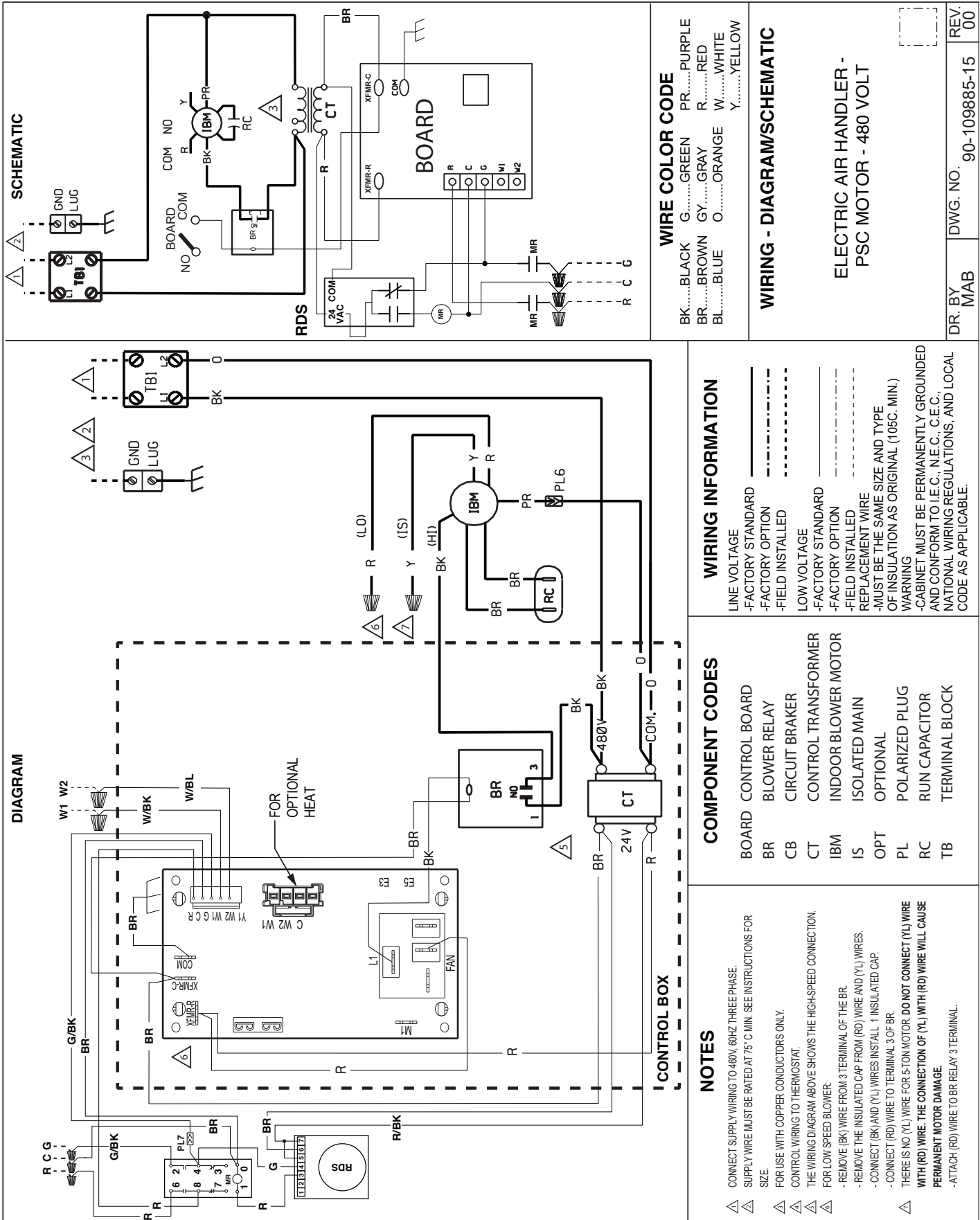
### COMPONENT CODES

- BOARD BLOWER CONTROL
- CB CIRCUIT BREAKER
- CT CONTROL TRANSFORMER
- GND GROUND
- IBM INDOOR BLOWER MOTOR
- MIR MITIGATION RELAY
- OPT OPTIONAL
- PL POLARIZED PLUG
- RUN CAPACITOR
- RDS REFRIGERANT DETECTION SYSTEM
- TB TERMINAL BLOCK

### NOTES

1. CONNECT SUPPLY WIRING TO 208/240V, 60HZ, SINGLE PHASE.
2. SUPPLY WIRE MUST BE RATED AT 75° C MIN. SEE INSTRUCTIONS FOR SIZE.
3. FOR USE WITH COPPER CONDUCTORS ONLY.
4. CONTROL WIRING TO THERMOSTAT.
5. THE WIRING DIAGRAM ABOVE SHOWS THE HIGH CONNECTIONS.
6. FOR LOW SPEED BLOWER:  
 -REMOVE (BK) WIRE FROM NO TERMINAL OF BOARD.  
 -MOVE INSULATED CAP FROM (R) WIRE TO (BK) WIRE.  
 -ATTACH (R) WIRE TO BOARD NO TERMINAL.
7. WHEN USING .13KW AND HIGHER, JUMP W1 AND W2 TOGETHER FOR MAXIMUM TEMPERATURE RISE.
8. FOR 208V APPLICATIONS MOVE BK WIRES FROM 240V TAP TO 208V TAP ON CT. SWAP Y & PR WIRES AT PL6.

# 9.9 WIRING DIAGRAM (-)H1P - 480V



DIAGRAM

SCHEMATIC

**WIRING INFORMATION**

LINE VOLTAGE \_\_\_\_\_  
 -FACTORY STANDARD \_\_\_\_\_  
 -FACTORY OPTION - - - - -  
 -FIELD INSTALLED - - - - -

LOW VOLTAGE \_\_\_\_\_  
 -FACTORY STANDARD \_\_\_\_\_  
 -FACTORY OPTION - - - - -  
 -FIELD INSTALLED - - - - -

REPLACEMENT WIRE \_\_\_\_\_  
 -MUST BE THE SAME SIZE AND TYPE OF INSULATION AS ORIGINAL (105C. MIN.) WARNING

-CABINET MUST BE PERMANENTLY GROUNDED AND CONFORM TO I.E.C., N.E.C., C.E.C., NATIONAL WIRING REGULATIONS, AND LOCAL CODE AS APPLICABLE.

**COMPONENT CODES**

BOARD CONTROL BOARD  
 BR BLOWER RELAY  
 CB CIRCUIT BRAKER  
 CT CONTROL TRANSFORMER  
 IBM INDOOR BLOWER MOTOR  
 IS ISOLATED MAIN  
 OPT OPTIONAL  
 PL POLARIZED PLUG  
 RC RUN CAPACITOR  
 TB TERMINAL BLOCK

**NOTES**

△ CONNECT SUPPLY WIRING TO 480V, 60HZ THREE PHASE.  
 △ SUPPLY WIRE MUST BE RATED AT 75° C MIN. SEE INSTRUCTIONS FOR SIZE.  
 △ FOR USE WITH COPPER CONDUCTORS ONLY.  
 △ CONTROL WIRING TO THERMOSTAT.  
 △ THE WIRING DIAGRAM ABOVE SHOWS THE HIGH-SPEED CONNECTION.  
 △ FOR LOW SPEED BLOWER:  
 - REMOVE (BK) WIRE FROM 3 TERMINAL OF THE BR.  
 - REMOVE THE INSULATED CAP FROM (RD) WIRE AND (Y) WIRES.  
 - CONNECT (BK) AND (Y) WIRES INSTAL 1 INSULATED CAP.  
 - CONNECT (RD) WIRE TO TERMINAL 3 OF BR.  
 △ THERE IS NO (Y) WIRE FOR 5-TON MOTOR. DO NOT CONNECT (Y) WIRE WITH (RD) WIRE. THE CONNECTION OF (Y) WITH (RD) WIRE WILL CAUSE PERMANENT MOTOR DAMAGE.  
 - ATTACH (RD) WIRE TO BR RELAY 3 TERMINAL.

**WIRE COLOR CODE**

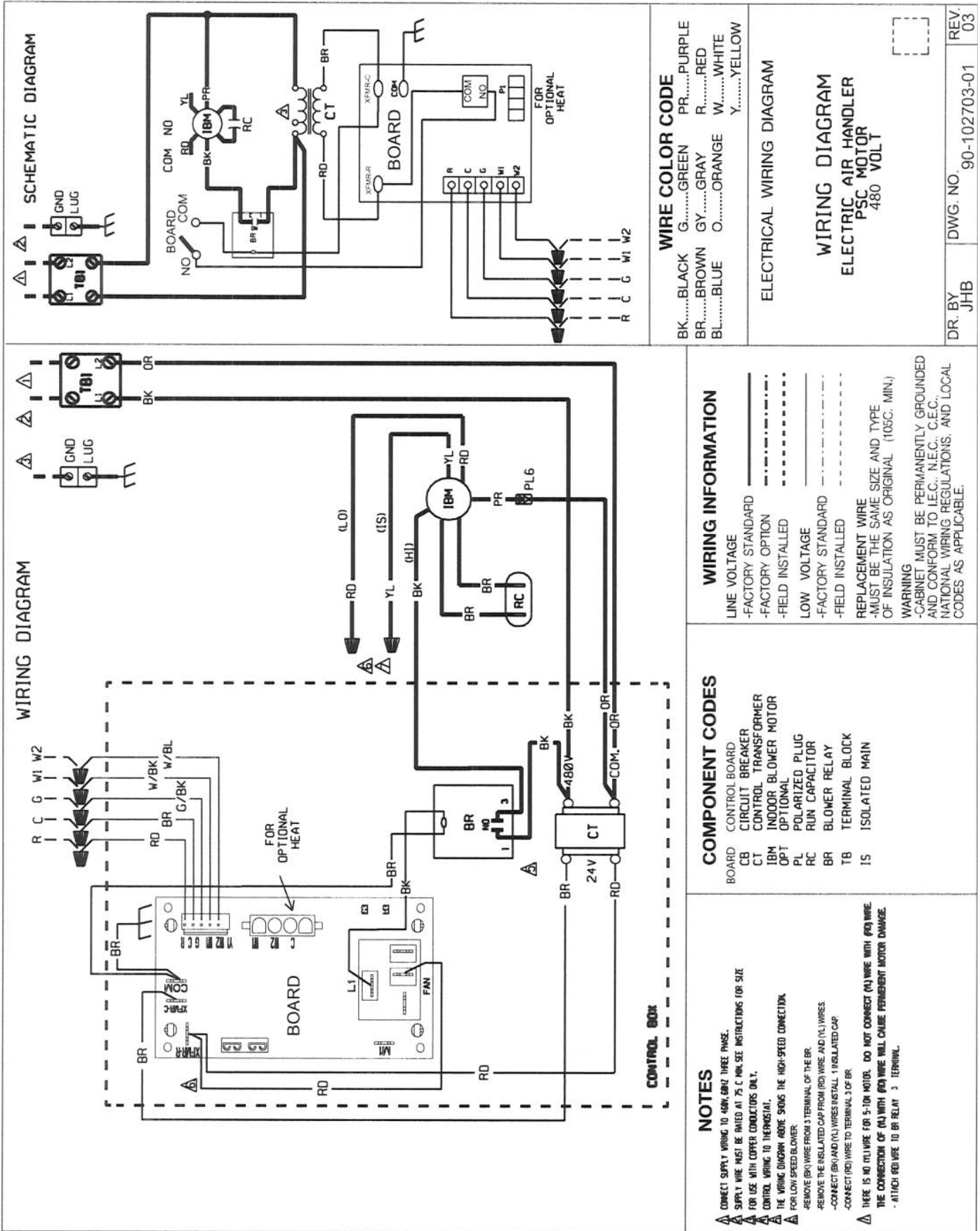
BK.....BLACK G.....GREEN PR.....PURPLE  
 BR.....BROWN GY.....GRAY R.....RED  
 BL.....BLUE O.....ORANGE W.....WHITE  
 Y.....YELLOW

**WIRING - DIAGRAM/SCHEMATIC**

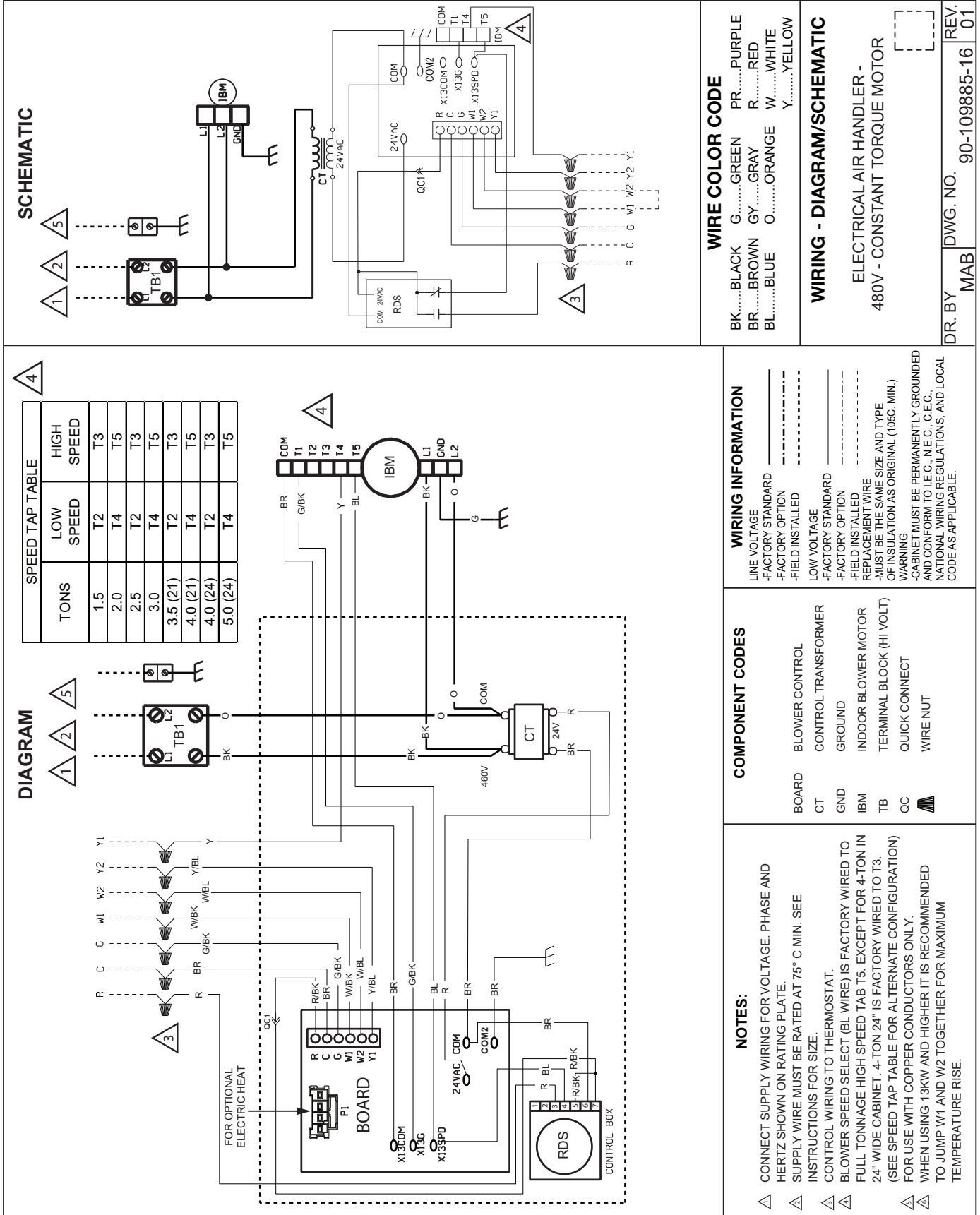
**ELECTRIC AIR HANDLER - PSC MOTOR - 480 VOLT**

DR. BY: MAB DWG. NO. 90-109885-15 REV. 00

# 9.10 WIRING DIAGRAM (-)H1P - 480V



# 9.11 WIRING DIAGRAM (-)H2T - 480V



# 9.12 WIRING DIAGRAM (-)H2T - 480V

