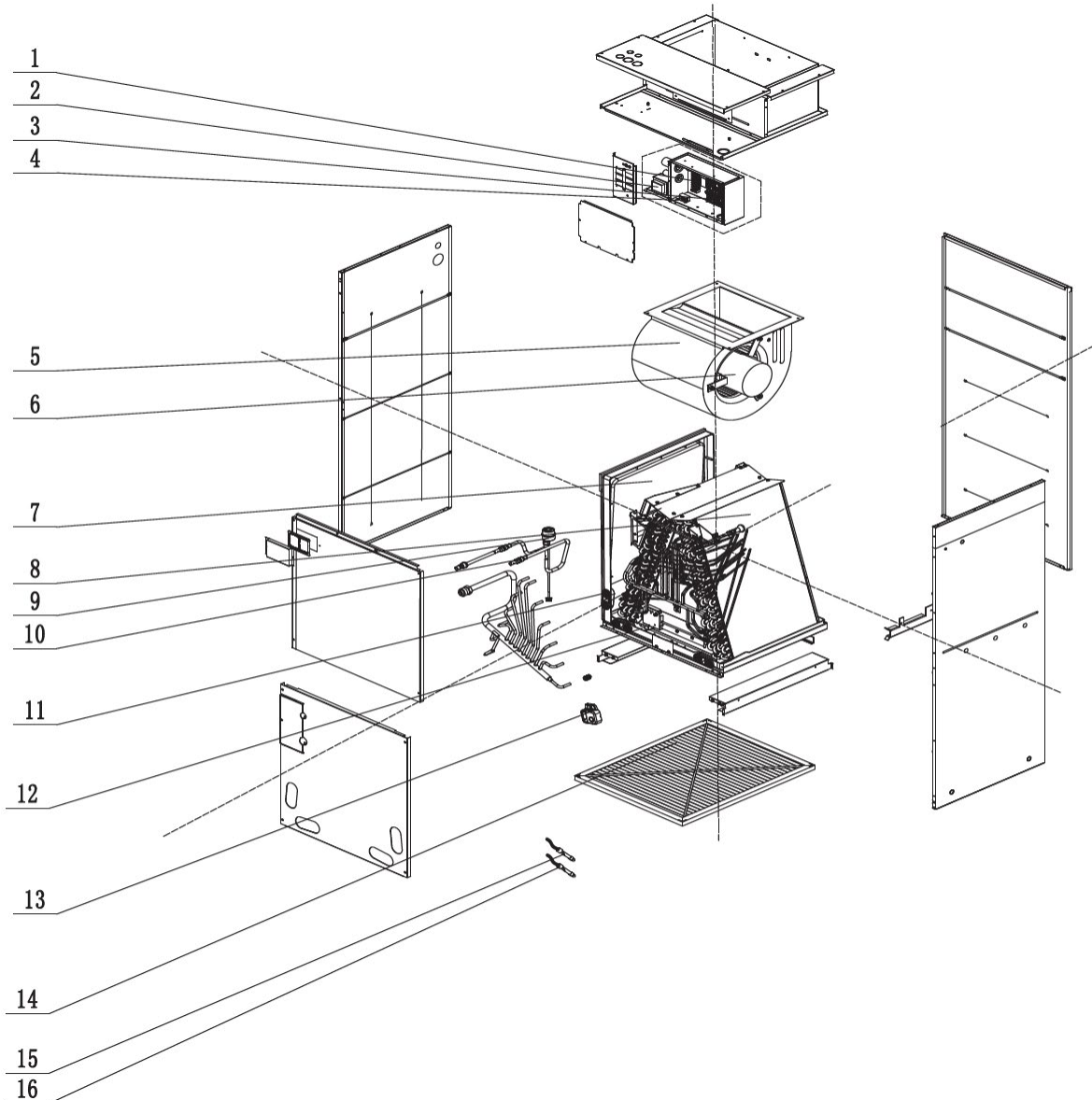


# EXPLODED VIEW & PARTS LIST



FXE60HP230V1R32AH

No.	Part Description	Qty	Part No.
NS	Air Scroll	1	<a href="#">012277060111</a>
NS	Fan retaining plate sub-assy 1	2	<a href="#">01842232</a>
NS	Top Cover Sub-Assy	1	<a href="#">000051060202</a>
NS	Top Cover Sub-Assy	1	<a href="#">000051060203</a>
NS	Centrifugal fan assy	1	<a href="#">000052060413</a>
5	Centrifugal Fan Housing	1	<a href="#">1570220301</a>
6	Brushless DC Motor	1	<a href="#">15010400001301</a>
12	Water Tray	1	<a href="#">2690220602</a>
11	Choke Plug	4	<a href="#">76718209</a>
10	Strainer	1	<a href="#">0721200102</a>
7	Water Tray	1	<a href="#">2690220502</a>
NS	Joint	1	<a href="#">06658000008</a>
16	Sensor Sub-assy	1	390002060708
13	Gas Sensor	1	34002406001501
NS	Electric Expand Valve Fitting	1	4304413269
3	Main Board	1	<a href="#">300002064036</a>
1	Terminal Board	1	422000060207
4	Terminal Board	1	<a href="#">42200006005601</a>
2	Transformer	1	<a href="#">43110286</a>
NS	Jumper	1	<a href="#">4202021912</a>
15	Temperature Sensor	1	<a href="#">390001060085</a>
NS	insulating board	1	<a href="#">75142201</a>
14	Filter Sub-Assy	1	<a href="#">111001060188</a>
8	Evaporator Assy	1	011001063446P