



6390 Philips Highway  
 Jacksonville, FL 32216  
 Phone (904) 737-7144

**DIMENSIONAL DATA**

TWO SIZES AVAILABLE:  
 14 1/8" x 20 1/2" - 14"Ø and  
 14 1/8" x 20 1/2" - 16" OVAL

COVER PANEL IS 1" DEEP WITH 1/2" OUT BOARD  
 FLANGE

COLLAR IS 1/8" UNDERSIZED WITH BEAD FOR  
 FLEX DUCT

COLLAR IS 3" LONG

COLLAR IS LOCATED 1" UP FROM BOTTOM

**FABRICATION DATA**

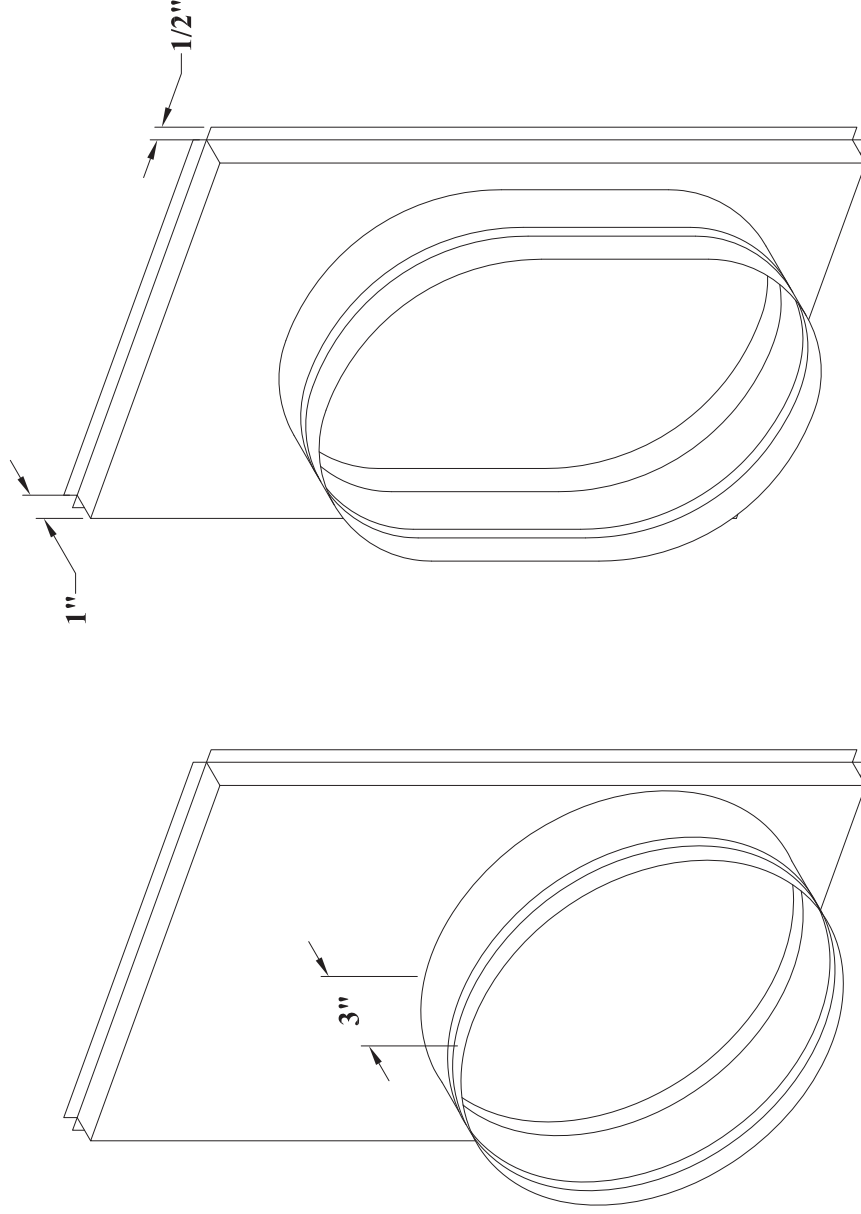
MATERIAL:  
 26 GAUGE GALVANIZED STEEL  
 LINED WITH 1" THICK LINER

**SPECIFICATION DATA SHEET**

Date: 01/25/11 Drawn by: M.D.C.

**MODEL No. 667 ICP**

**UNIT R/A ADAPTER**



14 1/8" x 20 1/2" - 14"Ø

14 1/8" x 20 1/2" - 16" OVAL

**SPECIAL NOTES**

**OPTIONS**